

AVM4127

12" Widescreen HD Multi-Function Display

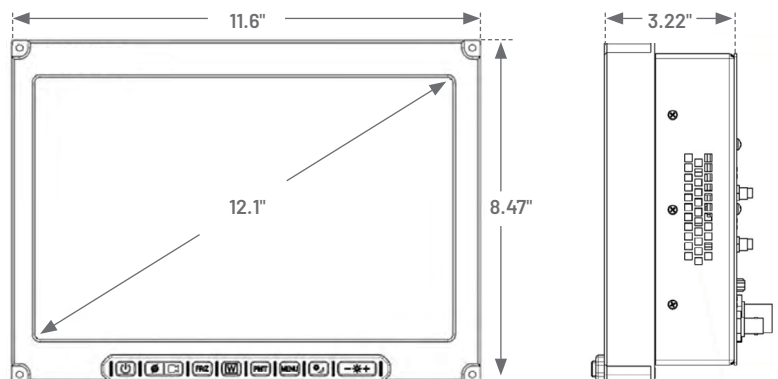
Step up to HD widescreen for your sensor and system display needs

- 12.1" widescreen color display
- HD, SD and VGA inputs with optional output configurations
- Sunlight-readable LCD
- Rugged chassis
- Multiple screen modes
- Optional features: touchscreen, NVIS, heater and more



Expand your point of view

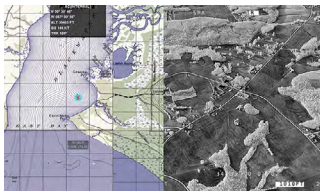
- 12.1" 16:10 aspect ratio display
- 1280 x 800 resolution
- Multiple screen modes
- HD, SD and VGA inputs
- Rugged milled aluminum frame
- Thin bezel
- Backlit keypad for quick access to menus, windowing and source selection
- Optional variants: SD output, DVI inputs, NVIS compatibility, heated LCD, remote dimming



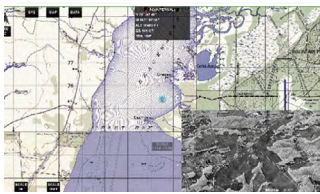
CONTACT US



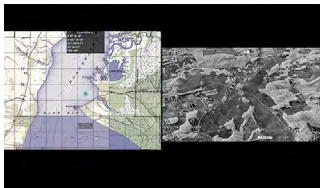
The AVM4127 offers four screen modes*: full screen, split screen (SS), picture-in-picture (PIP) and picture-by-picture (PBP), also known as side-by-side. Full-screen mode displays only one input signal and maintains the aspect ratio of the input source.



Split-screen mode displays two input signals simultaneously; these images are positioned next to each other and stretched vertically to fit the screen.



Picture-in-picture mode also displays two inputs simultaneously, one in a large format and one in a smaller window whose position is configurable via the display setup menus.



Like split screen, picture-by-picture or side-by-side mode displays two inputs next to each other; these images, however, retain the aspect ratios of their respective video inputs. Excess screen space appears as black bars.

*Modes are subject to change without notice.

SPECIFICATIONS

Dimensions

Display Area	12.1" (307.34 mm) diagonal
Height	8.47" (215.14 mm)
Width	11.6" (294.64 mm)
Depth	3.22" (81.79 mm)
Weight	7 lb (3.18 kg)

I/O

Power	28 VDC
Composite Video	3 inputs/1 output (optional)
HD Video	2 inputs/1 output
VGA	2 inputs
Signals	NTSC, PAL, SMPTE292M, VGA, DVI optional

Characteristics

Power Draw	1.2A @ 28 VDC; 33.6 W
Aspect Ratio	16:10
Resolution	1280 x 800 pixels (WXGA)
Horiz. Viewing Angle	160°
Vert. Viewing Angle	140°
Contrast Ratio	700:1
NVIS	Class B (optional)
Operating Temp	-45°C to +71°C (with heater)

Qualifications

MIL-STD-810G, MIL-STD-461F

Variants

AVM4127N	NVIS-compatible
AVM4127V	Video out
AVM4127H	Heater
AVM4127G	Triax video connectors
AVM4127T	Touchscreen
AVM4127P	Passive cooling
AVM4127TI	DVI & touchscreen
AVM4127RT	Touchscreen & remote dimming
AVM4127TJ	Touchscreen & auto power-on

Contact

mission@rcy.com
+1 850.470.8464 tel

Learn more

rcy.com/displays



© 2022 Mercury Systems, Inc. The Mercury Systems logo and the following are trademarks or registered trademarks of Mercury Systems, Inc.: Mercury Systems, Innovation That Matters, and BuiltSECURE. Other marks used herein may be trademarks or registered trademarks of their respective holders. Mercury believes this information is accurate as of its publication date and is not responsible for any inadvertent errors. The information contained herein is subject to change without notice.
8134.00E-0422-ds-GulfBreeze-AVM_4127