

Drop-in Isolator SMF950F0710

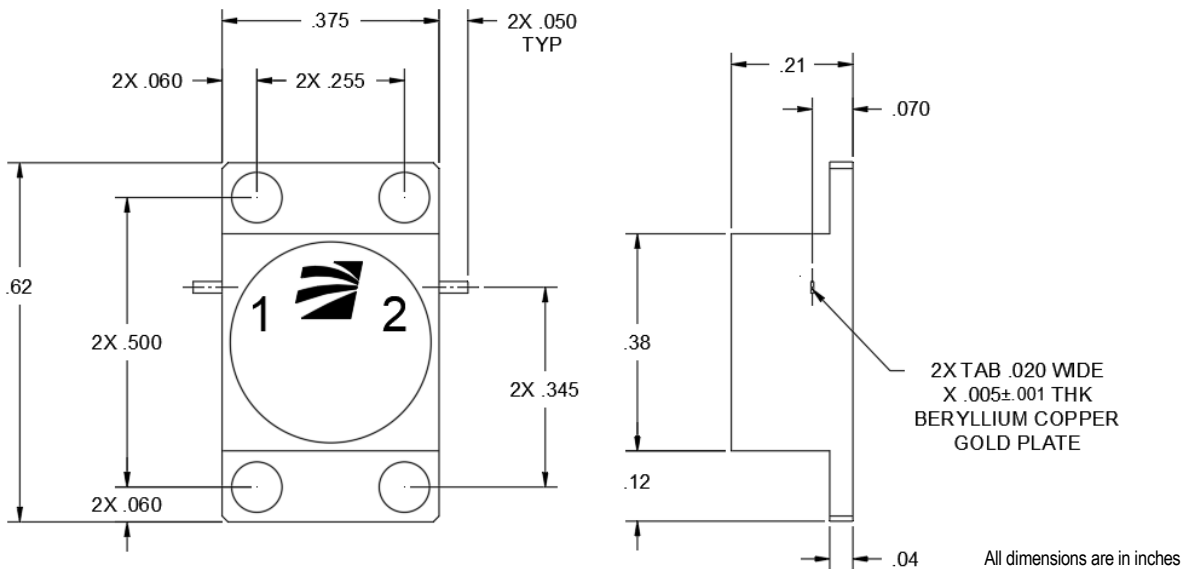


Specifications are subject to change without notice

Specifications (+25°C)

Parameter	Value
RF Frequency	7 GHz to 11 GHz
Isolation	18 dB (min)
Insertion Loss	0.5 dB (max)
VSWR	1.33:1
Peak Power	5 Watts (max)
Average Power	0.5 Watts (max)
Power Forward	5 Watts
Power Reverse	0.5 Watts
Package Size	0.375 x 0.62 x 0.21"

Outline Drawing



Need More Help? Need a Variant of This Product?

Contact Mercury's RF & Microwave engineering team at rf.microwave@mrcy.com or visit www.mrcy.com/rf for a detailed listing of RF and Microwave products.

