

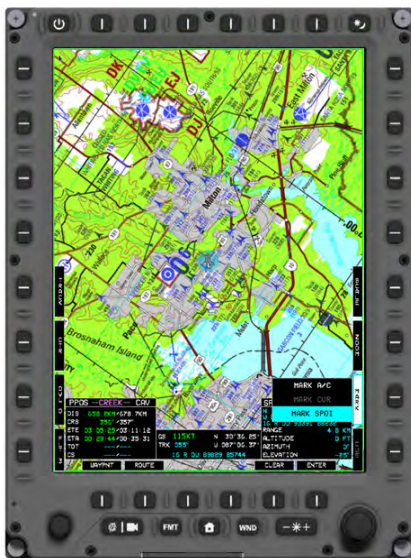


AMD3121

12" Smart Multi-Function Display

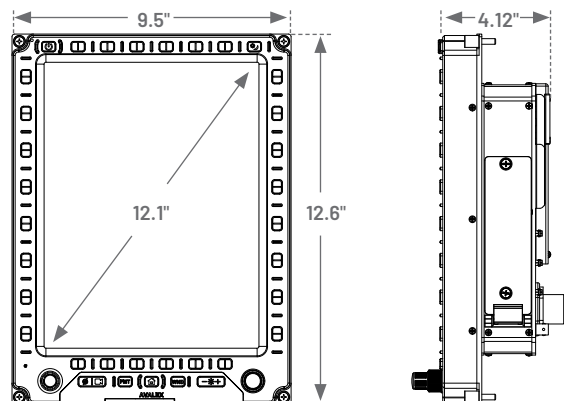
Handle multiple sensor and system inputs with a versatile smart multi-function display

- 12" touchscreen display with Intel i7 Processor and integrated GPS
- RS-170 and SMPTE video input
- SATA, eSATA/USB, compact flash, SD removable memory
- MIL-STD-1553, ARINC 429, Ethernet, serial, discretes, ARINC 825/CANbus
- Multiple mounting options available for variety of integration possibilities



Space-saving and smart

- 12.1" 4:3 aspect ratio display
- 800 x 600 resolution
- RS-170 and SMPTE video inputs
- Intel i7 Processor, 8 GB RAM
- SATA, eSATA/USB, compact flash, SD removable memory
- Touchscreen
- MIL-STD-1553, ARINC 429, Ethernet, serial, discretes, ARINC 825/CANbus communications
- Integrated GPS
- Backlight off when stowed
- Configurations for panel and swing-arm mount
- Fully integrate cueing systems, digital maps, sensor cueing and augmented reality-style symbology



CONTACT US

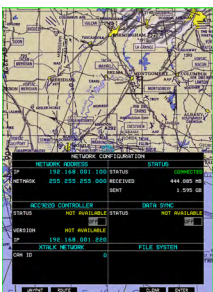
AMD3121 12" Smart Multi-Function Display



Ideal for tactical aircraft integration, the AMD3121 cues sensors and hosts a variety of system data, digital kneeboard packets, video input and optional map data in a split screen format to create a display with glass-cockpit-like efficiency.



Optional integrated mapping software allows the AMD3121 to present overlays and current location over either digitized maps (CADRG) or images (CIB, GeoTIFF). Easily scale maps, drop waypoints, plan routes, cue sensors to defined waypoints and exchange data with FMS, PFD, AHRS and other aircraft systems.



Deliverable with Windows, Linux or other RTOS, the AMD3121 offers an optional software developer's kit. The Mercury Systems Mission Mapping software suite and optional Harris FliteScene plug-in adds an out-of-the-box tactical moving map and sensor fusion application to the mission display. FalconView data including route planning, threat files, tactical graphics, drawings and custom charts can be seamlessly imported and displayed atop map data, images and live video. Additional plug-ins for device support are available.

Qualifications

MIL-STD-810G, MIL-STD-461F, MIL-STD-704A/F

Variants

AMD3121T Swing-arm mount
 AMD3121TF Panel-mount

Accessories

ACC9110 Display-mount map controller
 ACC9220 Dzus-mount map controller

SPECIFICATIONS

Dimensions

Display Area	12.1" (307.3 mm) diagonal
Height	12.6" (320 mm)
Width	9.5" (241.3 mm)
Depth	4.12" (104.6 mm)
Weight	9.5 lb (4.3 kg)

I/O

Power	18-28 VDC
High Data Rate GPS	1 SMA connector
RS-170 (SD Video)	3 inputs
SMPTE	2 inputs
MIL-STD-1553	2 inputs
USB	1 SMA connector
Ethernet 10/100/1000	3 ports
RS-232/422	2 ports/2 ports
ARINC 825 (CANbus)	2 ports
ARINC 429	2 TX; 2 RX

Characteristics

Resolution	800 x 600
Dimming	28 VDC/5 VDC/5 VAC
Storage Devices	USB, SD, Ethernet, eSATA/USB combo, SATA SSD
Contrast Ratio	1000:1
Refresh Rate	60 Hz
NVIS	Class A
Processor Graphics	Intel® HD Graphics 5000
CPU Details	Intel Dual Core Processor, 8 GB RAM DDR3L
Temperature	-40°C to +55°C (operating) -55°C to +85°C (storage)

Contact

mission@rcrcy.com
 +1 850.470.8464 tel

Learn more

rcrcy.com/displays



© 2022 Mercury Systems, Inc. The Mercury Systems logo and the following are trademarks or registered trademarks of Mercury Systems, Inc.: Mercury Systems, Innovation That Matters, and BuiltSECURE. Other marks used herein may be trademarks or registered trademarks of their respective holders. Mercury believes this information is accurate as of its publication date and is not responsible for any inadvertent errors. The information contained herein is subject to change without notice.
 8173.00E-0422-ds-GulfBreeze-AMD_3121