

AVM4227

22" Widescreen HD Multi-Function Display

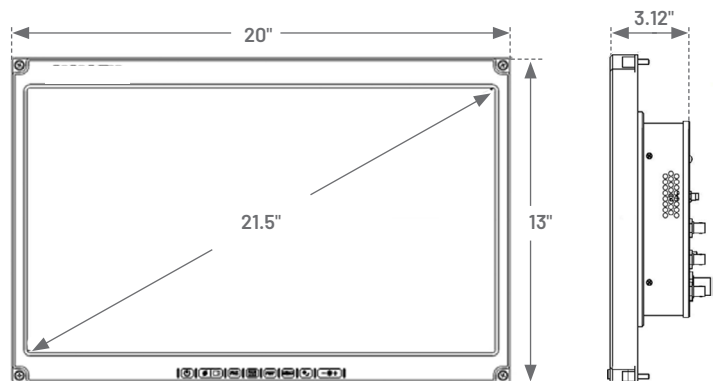
Use the large area display when clarity, crispness and detail for mission data matters

- 22" widescreen color display
- HD, SD, DVI, VGA inputs with SD, HD outputs
- Sunlight-readable LCD
- Rugged chassis with thin profile
- Multiple screen modes
- Optional features: touchscreen, NVIS, heater and more



The horizons are wide...See everything

- 21.5" 16:9 aspect ratio display
- 1920 x 1080 resolution
- HD, SD, DVI and VGA inputs
- Multiple screen modes allows inputs to be viewed simultaneously
- Extensive interconnectivity with cockpit sensors, map systems and mission computers
- Rugged, milled aluminum frame
- Large screen, thin profile
- Optional variants: NVIS compatibility, heated LCD, touchscreen, remote dimming



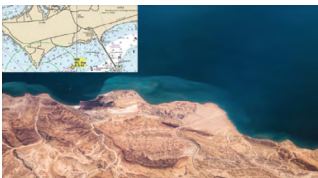
CONTACT US



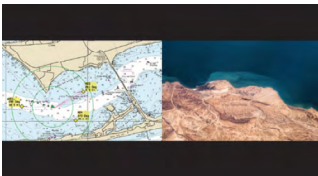
Full-screen mode displays one input signal that fills the screen and maintains the aspect ratio of the input source.



Split-screen (SS) mode displays two input signals simultaneously as equally-sized images that are stretched/cropped to fit each window.



Picture-in-picture (PIP) mode displays two input signals simultaneously, one in a full screen format and one in a smaller, inset window, whose position is configurable.



Picture-by-picture (PBP) or side-by-side mode, displays two input signals next to each other as equally-sized images whose aspect ratios is maintained. Excess screen space appears as black bars.

In each mode, aspect ratios can be maintained in letterbox format, or set to stretch and fit, or be cropped in the viewing space.

SPECIFICATIONS

Dimensions

Display Area	21.5" (546.1 mm) diagonal
Height	13" (330.2 mm)
Width	20" (508 mm)
Depth	3.12" (79.2 mm)
Weight	16.5 lb (7.49 kg)

I/O

Power	28 VDC
Composite Video	6 inputs/2 outputs
HD Video	2 inputs/1 output
VGA	2 inputs
DVI	1 input
Signals	NTSC, PAL, SMPTE292M, VGA, DVI

Characteristics

Power Draw	2.5A @ 28 VDC (70 W); 4.8A @ 28 VDC (134.4 W) with heater
Aspect Ratio	16:9
Resolution	1920 x 1080 pixels
Horiz. Viewing Angle	180°
Vert. Viewing Angle	180°
Contrast Ratio	5000:1
NVIS	Class B (optional)
Operating Temp	-45°C to +71°C (with heater)

Qualifications

Designed to meet DO-160G

Contact

mission@rcy.com
+1 850.470.8464 tel

Learn more

rcy.com/displays



© 2022 Mercury Systems, Inc. The Mercury Systems logo and the following are trademarks or registered trademarks of Mercury Systems, Inc.: Mercury Systems, Innovation That Matters, and BuiltSECURE. Other marks used herein may be trademarks or registered trademarks of their respective holders. Mercury believes this information is accurate as of its publication date and is not responsible for any inadvertent errors. The information contained herein is subject to change without notice.
8138.00E-0422-ds-GulfBreeze-AVM_4227