



# AVM4065

## 6.5" SD Multi-Function Display

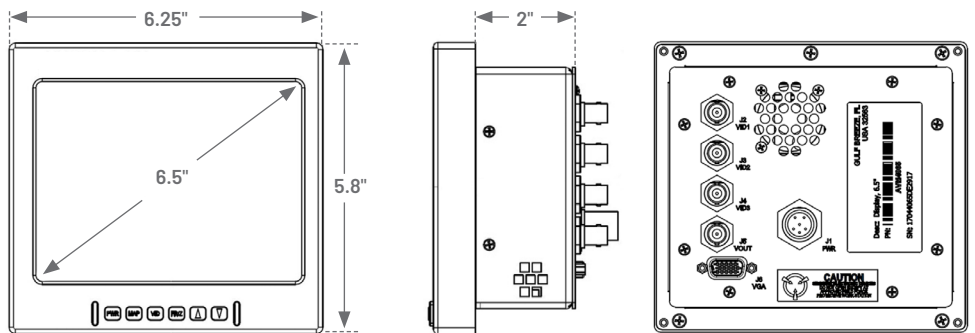
Upgrade your SD display with a proven, small-footprint LCD

- 6.5" SD color display
- Composite video I/O and VGA
- Sunlight-readable LCD
- Freeze/zoom capability
- Lighted bezel buttons
- NVIS and auto power-on options



### When size matters

- 6.5" 4.3 aspect ratio display
- 640 X 480 resolution
- Full-color display
- SD and VGA inputs
- Sunlight-readable LCD
- Rugged milled aluminum frame
- Small form factor
- NVIS compatibility (optional)



CONTACT US



**Video**

RS-170 video inputs on the AVM4065 can be used to view multiple composite sensor video feeds or be configured to accept S-Video and RGB video signals.

**Mapping**

The VGA input on the AVM4065 can display computer input resolutions from 640 x 480 through full HD 1920 x 1080. Custom resolution support is available upon request.

**Freeze/Zoom**

The freeze feature on the display allows operators to quickly capture a still image of important events for review. The digital zoom feature enhances an operator’s ability to pick out distant objects. Both of these features can be combined into a single button press.

**SPECIFICATIONS**

**Dimensions**

Display Area	6.5" (165.1 mm)
Height	5.8" (147.32 mm)
Width	6.25" (158.75 mm)
Depth	2" (50.8 mm) from back of bezel
Weight	2.5 lb (1.13 kg)

**I/O**

Power	28 VDC
Composite Video	3 inputs/1 output
VGA	1
Signals	NTSC, PAL, RS-170, VGA

**Characteristics**

Power Draw	0.32A @ 28 VDC, 9 W
Aspect Ratio	4:3
Resolution	640 x 480 pixels
Horiz. Viewing Angle	160°
Vert. Viewing Angle	140°
Contrast Ratio	600:1
NVIS	Class B (optional)
Temperature	-20°C to +71°C (operation) -30°C to +71°C (storage)

**Qualifications**

MIL-STD-810F, DO-160, UH60-AWR

**Variants**

AVM4065N	NVIS-compatible
AVM4065J	Automatic power-on

**Contact**

mission@rcy.com  
+1 850.470.8464 tel

**Learn more**

rcy.com/displays



© 2022 Mercury Systems, Inc. The Mercury Systems logo and the following are trademarks or registered trademarks of Mercury Systems, Inc.: Mercury Systems, Innovation That Matters, and BuiltSECURE. Other marks used herein may be trademarks or registered trademarks of their respective holders. Mercury believes this information is accurate as of its publication date and is not responsible for any inadvertent errors. The information contained herein is subject to change without notice.  
8131.00E-0422-ds-GulfBreeze-AVM\_4065