



AVM4102

10" HD Multi-Function Display

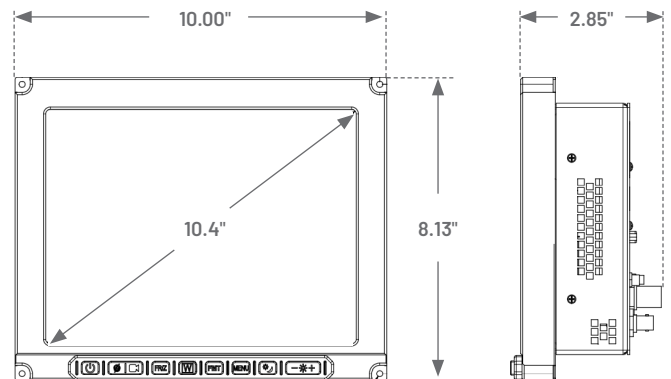
See critical information with an HD display

- 10.4" HD color display column
- SD, VGA, HD, DVI inputs
- Sunlight-readable LCD
- Freeze/zoom capability
- Multiple screen modes
- Optional variants: NVIS-B, heater, touchscreen, HD, DVI, video loop-through



Rugged HD display for maximum situational awareness

- 10.4" 4:3 aspect ratio display
- 1024 x 768 resolution
- HD, SD and VGA inputs for maximum compatibility with aircraft sensors and other systems
- Rugged milled aluminum frame
- Backlit bezel buttons for easy operation in dim conditions



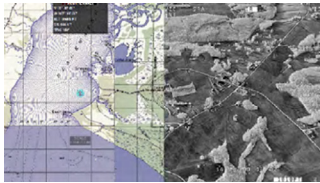
CONTACT US



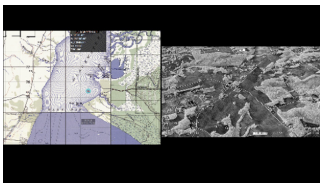
Displays only one input signal with full-screen mode.



Display two input signals simultaneously, one in a large format and the other in a configurable smaller window with picture-in-picture (PIP) mode.



Display two input signals simultaneously as equally sized images that are stretched/cropped to fit each window with split-screen (SS) mode.



Display two input signals as equally sized images (aspect ratios maintained) with picture-by-picture (PBP) or side-by-side mode. Excess screen space appears as black bars.

SPECIFICATIONS

Dimensions

Display Area	10.4" (264.2 mm) diagonal
Height	8.13" (206.5 mm)
Width	10" (254 mm)
Depth	2.85" (72.39 mm)
Weight	5.3 lb (2.4 kg)

I/O

Power	28 VDC
RS-170 Video	3 inputs
VGA	2 inputs
HD	1 input (optional)
Signals	NTSC, PAL, RS-170, VGA, SMPTE-292

Characteristics

Power Draw	1.1 A @ 28 VDC (typical); 4.6 A @ 28 VDC (with heater)
Aspect Ratio	4:3
Resolution	1024 x 768
NVIS	Class B (optional)
Operating Temp	0°C to 55°C

Qualifications

DO-160

Variants (including combinations)

AVM4102	Standard
AVM4102N	NVIS-B Compatible
AVM4102T	Touchscreen
AVM4102H	Heater
AVM4102D	SMPTE 292/HD
AVM4102G	Triax Video Connectors
AVM4102V	Video Loop-Through
AVM4102R	Remote Dimming/Discrettes

Contact

mission@rcy.com
+1 850.470.8464 tel

Learn more

rcy.com/displays



© 2022 Mercury Systems, Inc. The Mercury Systems logo and the following are trademarks or registered trademarks of Mercury Systems, Inc.: Mercury Systems, Innovation That Matters, and BuiltSECURE. Other marks used herein may be trademarks or registered trademarks of their respective holders. Mercury believes this information is accurate as of its publication date and is not responsible for any inadvertent errors. The information contained herein is subject to change without notice.
8157.00E-0422-ds-GulfBreeze-AVM_4102