

Flexor 5973-313

4-channel 250 MHz 16-bit A/D with DDCs,
2-channel 800 MHz 16-bit D/A with DUC
3U VPX board with Virtex 7 FPGA

Complete radar and software radio interface solution

- Radar and communication receiver and transmitter
- Electronic Warfare transponder
- Waveform signal generator
- Wideband data acquisition
- Remote monitoring
- Sensor interfaces



Flexor® 5973-313 is a multichannel, high-speed data converter FMC module suitable for connection to HF or IF ports of a communications or radar system. It includes four 250 MHz, 16-bit A/Ds, programmable clocking, and multiboard synchronization for support of larger high-channel count systems. When combined with a Mercury 3U VPX or a PCIe FMC carrier, the 3312 is available as a FlexorSet, a complete turnkey data acquisition solution.

For applications that require custom processing, FlexorSets are ideal for IP development and deployment. Mercury also offers the option -990 reference design with software and IP support when installed on the Xilinx VC707 Evaluation Kit board.

FEATURES

- Includes Xilinx® Virtex®-7 VXT FPGA
- GateXpress® supports dynamic FPGA reconfiguration across PCIe
- Four 250 MHz 16-bit A/Ds
- Four multiband DDCs (digital downconverters)
- One DUC (digital upconverter)
- Two 800 MHz 16-bit D/As
- Extended interpolation
- Sample clock synchronization to an external system reference
- PCI Express (Gen. 1, 2 & 3) interface up to x8
- User-configurable gigabit serial interface
- Optional optical Interface for backplane gigabit serial inter-board communication
- LVDS connections to the Virtex-7 FPGA for custom I/O and synchronization

THE FLEXOR ARCHITECTURE

Based on the proven design of the Mercury Onyx family of Virtex-7 products, the 5973 FMC carrier retains all the key features of that family. As a central foundation of the board architecture, the FPGA has access to all data and control paths of both the carrier board and the FMC module, enabling factory-installed functions that include data multiplexing, channel selection, data packing, gating, triggering and memory control.

When delivered as an assembled board set, the 5973-313 includes factory-installed applications ideally matched to the board's analog interfaces. The functions include four A/D acquisition IP modules for simplifying data capture and data transfer. Each of the four acquisition IP modules contains a powerful DDC core.

The 5973-313 features a sophisticated D/A waveform generator IP module. A linked-list controller allows users to easily record to the D/As waveforms stored in either on-board or off-board host memory. Parameters including length of waveform, delay from trigger, waveform repetition, etc. can be programmed for each waveform. Up to 64 individual link entries can be chained together to create complex waveforms with a minimum of programming.

A controller for all data clocking and synchronization functions, a test signal generator, and a PCIe interface complete the factory-installed functions and enable the 5973-313 to operate as a turnkey solution without the need to develop any FPGA IP.

EXTENDABLE IP DESIGN

For applications that require specialized functions, users can install their own custom IP for data processing. The GateFlow FPGA Design Kits include all of the factory-installed modules as document source code. Developers can integrate their own IP with the factory-installed functions or use the GateFlow kit to completely replace the IP with their own.

XILINX VIRTEX-7 FPGA

The 5973-313 can be optionally populated with one of two Virtex-7 FPGAs to match the specific requirements of the processing task. Supported FPGAs are VX330T or VX690T. The VX690T features 3600 DSP48E1 slices and is ideal for modulation/ demodulation, encoding/decoding, encryption/decryption, and channelization of the signals between transmission and reception. For applications not requiring large DSP resources or logic, the lower-cost VX330T can be installed.

A 4X connection between the FPGA and the VPX P1 connector supports gigabit serial protocols. Sixteen pairs of LVDS connections between the FPGA and the VPX P2 connector for synchronization and custom I/O.

GATEXPRESS FOR FPGA CONFIGURATION

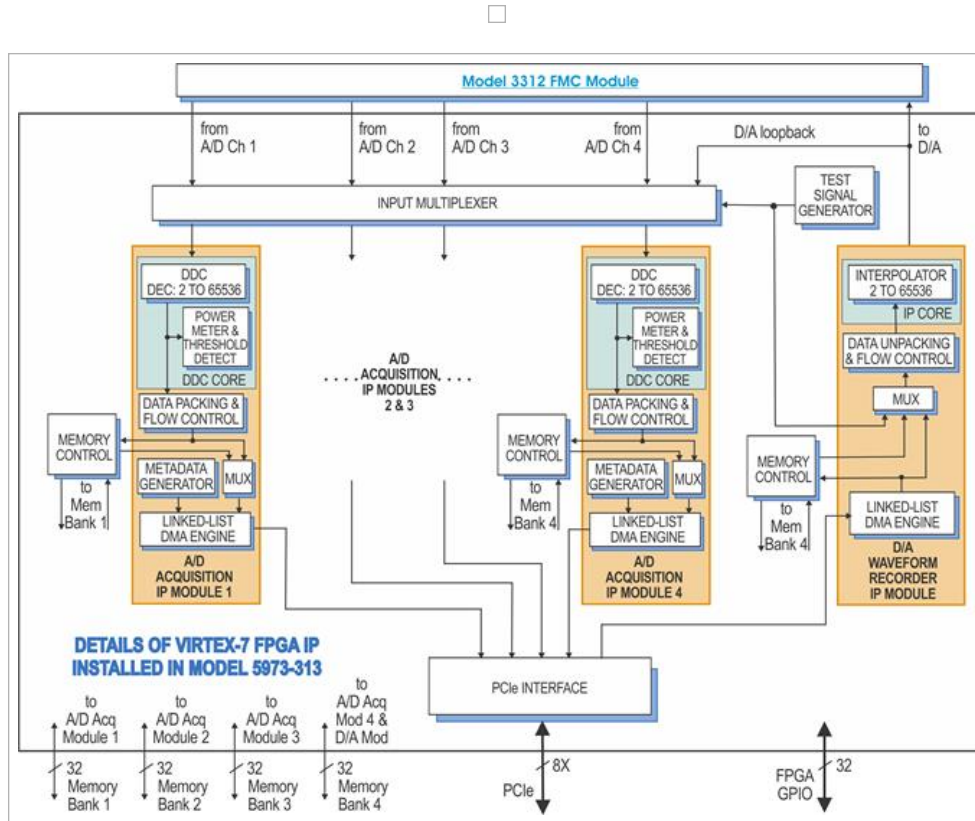
The Onyx architecture includes GateXpress[®], a sophisticated FPGA-PCIe configuration manager for loading and reloading the FPGA. At power up, GateXpress immediately presents a PCIe target for the host computer to discover, effectively giving the FPGA time to load from FLASH. This is especially important for larger FPGAs where the loading times can exceed the PCIe discovery window, typically 100 msec on most PCs.

The board's configuration FLASH can hold four FPGA images. Images can be factory-installed IP or custom IP created by the user, and programmed into the FLASH via JTAG using Xilinx iMPACT or through the board's PCIe interface. At power up the user can choose which image will load based on a hardware switch setting. Once booted, GateXpress allows the user three options for dynamically reconfiguring the FPGA with a new IP image:

- The first is the option to load an alternate image from FLASH through software control. The user selects the desired image and issues a reload command.
- The second option is for applications where the FPGA image must be loaded directly through the PCIe interface. This is important in security situations where there can be no latent user image left in nonvolatile memory when power is removed. In applications where the FPGA IP may need to change many times during the course of a mission, images can be stored on the host computer and loaded through PCIe as needed.
- The third option, typically used during development, allows the user to directly load the FPGA through JTAG using Xilinx iMPACT.

In all three FPGA loading scenarios, GateXpress handles the hardware negotiation simplifying and streamlining the loading task. In addition, GateXpress preserves the PCIe configuration space allowing dynamic FPGA reconfiguration without a host computer reset to rediscover the board. After the reload, the host simply continues to see the board with the expected device ID.

5973-313 BLOCK DIAGRAMS



A/D CONVERTERS

The board's analog interface accepts four analog HF or IF inputs on front-panel connectors with transformer-coupling into two Texas Instruments ADS42LB69 dual 250 MHz, 16-bit A/D converters.

A/D ACQUISITION IP MODULES

The 5973-313 features four A/D Acquisition IP Modules for easy capture and data moving. Each IP module can receive data from any of the four A/Ds, a test signal generator or from the D/A Waveform Playback IP Module in loopback mode.

Each IP module has an associated memory bank for buffering data in FIFO mode or for storing data in transient capture mode. All memory banks are supported with DMA engines for moving A/D data through the PCIe interface.

These powerful linked-list DMA engines are capable of a unique Acquisition Gate Driven mode. In this mode, the length of a transfer performed by a link definition need not be known prior to data acquisition; rather, it is governed by the length of the acquisition gate. This is extremely useful in applications where an external gate drives acquisition and the exact length of that gate is not known or is likely to vary.

For each transfer, the DMA engine can automatically construct metadata packets containing A/D channel ID, a sample accurate time stamp, and data length information. These actions simplify the host processor's job of identifying and executing on the data.

D/A WAVEFORM GENERATOR IP MODULE

The 5973-313 factory-installed functions include a sophisticated D/A Waveform Playback IP module. A linked-list controller allows users to easily play back waveforms stored in either on-board or off-board host memory to the dual D/As.

Parameters including length of waveform, delay from playback trigger, waveform repetition, etc. can be programmed for each waveform. Up to 64 individual link entries can be chained together to create complex waveforms with a minimum of programming.

DIGITAL UPCONVERTER AND D/A STAGE

A Texas Instrument DAC5688 DUC and D/A accepts a baseband real or complex data stream from the FPGA and provides that input to the upconvert, interpolate and D/A stages.

When operating as a DUC, it interpolates and translates real or complex baseband input signals to any IF center frequency from DC to the sampling frequency. It delivers the output to the 16-bit

D/A converter. Analog outputs are through front panel connectors.

If translation is disabled, the DAC5688 acts as a dual interpolating 16-bit D/A with output sampling rates up to 800 MHz. In both modes the DAC5688 provides interpolation factors of 2x, 4x and 8x.

In addition, the FPGA-based interpolator provides a range of 2x to 65536x in two stages of 2x to 256x. Including the DAC5688 interpolation, the overall available interpolation range equals 2x to 524,288x.

CLOCKING AND SYNCHRONIZATION

Two internal timing buses provide all timing and synchronization required by the A/D and D/A converters. Each includes a clock, sync and gate or trigger signals. An on-board clock generator receives an external sample clock from the front panel coaxial connector.

This clock can be used directly by the A/D or D/A sections or divided by a built-in clock synthesizer circuit to provide different A/D and D/A clocks. In an alternate mode, the sample clock can be sourced from an on-board programmable VCXO. In this mode, the front-panel coaxial connector can be used to provide a 10 MHz reference clock for synchronizing the internal oscillator.

A front panel LVTTTL Gate/Trigger/ Sync connector can receive an external timing signal to synchronize multiple modules.

MEMORY RESOURCES

The 5973-313 architecture supports four independent DDR3 SDRAM memory banks. Each bank is 1 GB deep and is an integral part of the board's DMA capabilities, providing FIFO memory space for creating DMA packets.

PCI EXPRESS INTERFACE

The Model 5973-313 includes an industry standard interface fully compliant with PCI Express Gen. 1, 2, and 3 bus specifications. Supporting PCIe links up to x8, the interface includes multiple DMA controllers for efficient transfers to and from the board.

GPS

An optional GPS receiver provides time and position information to the FPGA. This information can be used for precise data tagging.

READYFLOW

Mercury provides ReadyFlow[®] BSPs (Board Support Packages) for all Cobalt, Onyx, and Flexor products. Available for both Linux and Windows, these packages:

- Provide a path for quick start-up through application completion
- Allow programming at high, intermediate and low levels to meet various needs
- Are illustrated with numerous examples
- Include complete documentation and definitions of all functions
- Include library and example source code.

ReadyFlow BSPs contain C-language examples that can be used to demonstrate the capabilities of Cobalt, Onyx, and Flexor products. These programming examples will help you get an immediate start on writing your own application. They provide sample code that is known to work, giving you a means of verifying that your board set is operational.

COMMAND LINE INTERFACE

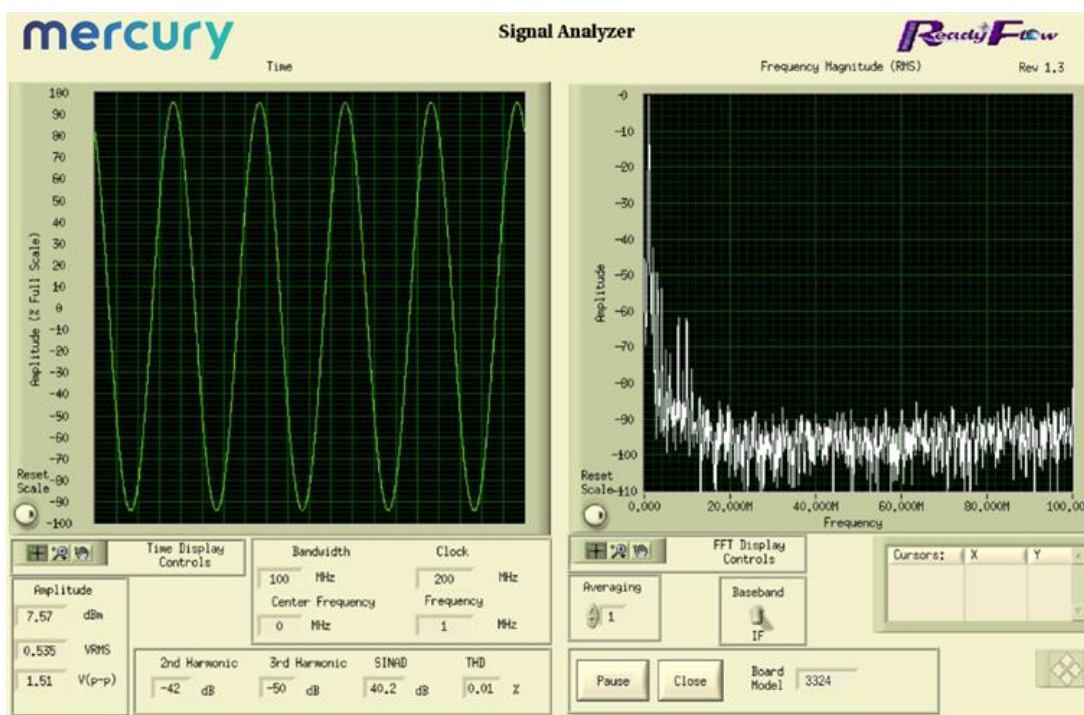
The Command Line Interface provides access to pre-compiled executable examples that operate the hardware right out of the box, without the need to write any code. Board-specific hardware

operating arguments can be entered in the command line to control parameters: number of channels to enable, sample clock frequency, data transfer size, reference clock frequency, reference clock source, etc.

The Command Line Interface can be used to call an example application from within a larger user application to control the hardware, and parameter arguments are passed to the application for execution. Functions that control data acquisition automatically save captured data to a pre-named host file or are routed to the Signal Analyzer example function for display.

SIGNAL ANALYZER

When used with the Command Line Interface, the Signal Analyzer allows users to immediately start acquiring and displaying A/D data. A full-featured analysis tool, the Signal Analyzer displays data in time and frequency domains. Built-in measurement functions display 2nd and 3rd harmonics, THD, and SINAD. Interactive cursors allow users to mark data points and instantly calculate amplitude and frequency of displayed signals.



GATEFLOW

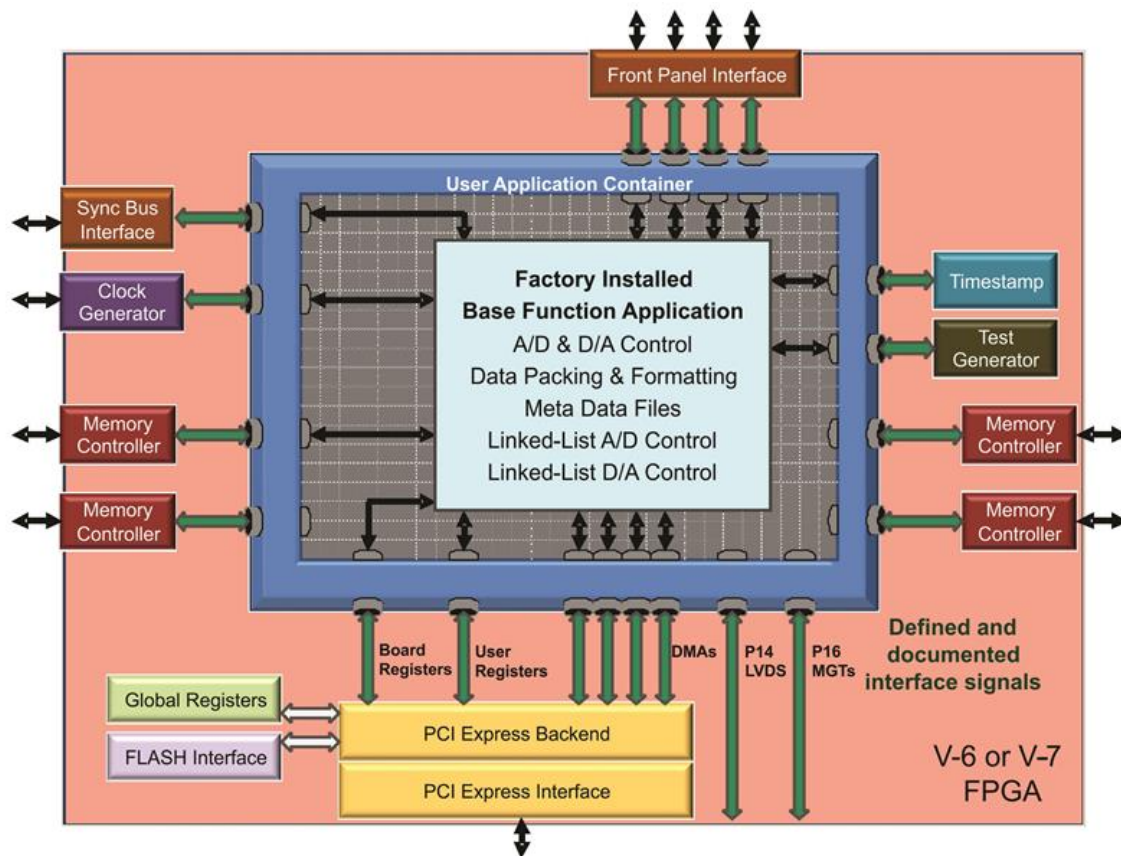
The GateFlow[®] FPGA Design Kit (FDK) allows the user to modify, replace and extend the standard installed functions in the FPGA to incorporate special modes of operation, new control structures, and specialized signal-processing algorithms.

The Cobalt (Virtex-6), Onyx (Virtex-7), and Flexor (Virtex-7) architectures configure the FPGA with standard factory-supplied interfaces including memory controllers, DMA engines, A/D and D/A interfaces, timing and synchronization structures, triggering and gating logic, time stamping and header tagging, data formatting engines, and the PCIe interface. These resources are connected to the User Application Container using well-defined ports that present easy-to-use data and control signals, effectively abstracting the lower-level details of the hardware.

The User Application Container

Shown below is the FPGA block diagram of a typical Cobalt, Onyx or Flexor module. The User Application Container holds a collection of different installed IP modules connected to the various interfaces through the standard ports surrounding the container. The specific IP modules for each product are described in further detail in the datasheet of that product.

The GateFlow FDK provides a complete Xilinx's ISE or Vivado project folder containing all the files necessary for the FPGA developer to recompile the entire project with or without any required changes. VHDL source code for each IP module provides excellent examples of how the IP modules work, how they might be modified, and how they might be replaced with custom IP to implement a specific function.



FRONT PANEL CONNECTIONS

The FMC front panel includes eight SSMC coaxial connectors for input/output of timing and analog signals. The front panel also includes seven LEDs.

- **Analog Input Connectors:** Four SSMC coaxial connectors, labeled **IN 1**, **2**, **3**, and **4** one for each ADC input channel. **IN 1** and **2** are input to the first ADS421.B69 and **IN 3** and **4** are input to the second ADS421.B69. to the ADC32RF45.
- **ADC Overload LEDs:** The four red **OV** (overload) LEDs are for each ADC input channel.
- **Analog Output Connectors:** Two SSMC coaxial connectors, labeled **OUT 1** and **2** for each DAC5688 output.
- **DAC Underrun LEDs:** The red underrun **UR** L illuminates when the DAC5688 FIFO is out of data.
- **Clock Input Connector:** One SSMC connector, labeled **CLK** for the input of an external sample clock.
- **Clock LED:** The green **EXT CLK IN** LED illuminates when a valid sample clock signal is detected. If the LED is not illuminated, no clock has been detected and no data from the input stream can be processed.
- **Trigger Input Connector:** One SSMC coaxial connector labeled **TRG** for input of an external trigger.
- **Over Temperature LED:** The red **TMP** LED illuminates when an over-temperature or over-voltage condition is indicated by any of the temperature/voltage sensors on the PCB.

FRONT PANEL CONNECTIONS

The 5973 3U VPX carrier front panel houses the front panel of the FMC module installed on the carrier. The VPX carrier front panel includes three LED indicators below the FMC panel.

- **JTAG Connector:** The VPX carrier front panel provides a 12-pin JTAG connector to download programs and to perform boundary-scan tests on 5973 devices.
- **Link LED:** The green **LNK** LED illuminates when a valid PCIe link has been established over the VPX P1 interface.
- **Over Temperature LED:** The red **TEMP** LED illuminates when an over-temperature or over-voltage condition is indicated by the temperature/voltage sensors on the Model 5973.
- **User LED:** The yellow **USR** LED is available for user applications.

Note: If your 5973 is ordered with Option 763 for mounting in a conduction-cooled VPX chassis, it would have a conduction-cooled VPX Carrier Front Panel.

SPECIFICATIONS

Front Panel Analog Signal Inputs

Input Type: Transformer-coupled, front panel connectors
 Transformer Type: Coil Craft WBC4-6TLB
 Full Scale Input: +4 dBm into 50 ohms
 3 dB Passband: 300 kHz to 700 MHz

A/D Converters

Type: Texas Instruments ADS42LB69
 Sampling Rate: 10 MHz to 250 MHz
 Resolution: 16 bits

4-Channel Digital Downconverter

Decimation Range: 2x to 65,536x in two stages of 2x to 256x
 LO Tuning Freq. Resolution: 32 bits, 0 to f_s
 LO SFDR: >120 dB
 Phase Offset Resolution: 32 bits, 0 to 360 degrees
 FIR Filter: 18-bit user-programmable coefficients, 24-bit output
 Default Filter Set: 80% bandwidth, <0.3 dB passband ripple, >100 dB stopband attenuation
 Phase Shift Coefficients: I & Q with 16-bit resolution
 Gain Coefficients: 16-bit resolution

D/A Converters

Type: Texas Instruments DAC5688

Input Data Rate: 250 MHz max.
 Output IF: DC to 400 MHz max.
 Output Sampling Rate: 800 MHz max. with interpolation
 Resolution: 16 bits

Digital Interpolator

Interpolation Range: 2x to 65,536x in two stages of 2x to 256x

Total Interpolation Range

D/A and digital combined: 2x to 524,288x

Front Panel Analog Signal Outputs

Output Type: Transformer-coupled, front panel connector
 Transformer Type: Coil Craft WBC4-6TLB
 Full Scale Output: +4 dBm into 50 ohms
 3 dB Passband: 300 kHz to 700 MHz

Sample Clock Sources

On-board clock synthesizer generates two clocks: an A/D clock and a D/A clock

Clock Synthesizer

Clock Source: Selectable from on-board programmable VCXO (10 to 810 MHz) or front panel external clock or LVPECL timing bus
 Synchronization: VCXO can be locked to an external 4 to 180 MHz PLL system reference, typically 10 MHz
 Clock Dividers: External clock or VCXO can be divided by 1, 2, 4, 8, or 16 for the A/D or clock

External Clock

Type: Front panel female SSMC connector, sine wave, 0 to +10 dBm, AC-coupled, 50 ohms, accepts 10 to 800 MHz divider input clock or PLL system reference

External Trigger Input

Type: Front panel connector
 Function: Programmable functions include: trigger, gate, sync and PPS

Field Programmable Gate Array

Standard: Xilinx Virtex-7 XC7VX330T-2
 Option -076: Xilinx Virtex-7 XC7VX690T-2

Custom FPGA I/O

4X gigabit links between the FPGA and the VPX P1 connector to support serial protocols.
 Parallel: 16 pairs of LVDS connections between the FPGA and the VPX P2 connector for synchronization and custom I/O
 Optical (Option -110): VITA-66.4, 12X duplex lanes

Memory

Type: DDR3 SDRAM
 Size: Four banks, 1 GB each
 Speed: 800 MHz (1600 MHz DDR)

PCI-Express Interface

PCI Express Bus: Gen. 1, 2 or 3: x4 or x8

Environmental

- Standard: L0 (air-cooled)
- Operating Temp: 0° to 50° C
 - Storage Temp: -20° to 90° C
 - Relative Humidity: 0 to 95%, non-condensing
- Option -702: L2 (air-cooled)
- Operating Temp: -20° to 65° C
 - Storage Temp: -40° to 100° C
 - Relative Humidity: 0 to 95%, non-condensing
- Option -763: L3 (conduction-cooled)
- Operating Temp: -40° to 70° C
 - Storage Temp: -50° to 100° C
 - Relative Humidity: 0 to 95%, non-condensing

Physical

- Dimensions: 3U VPX
- Depth: 100 mm (3.937 in)
 - Height: 170.6 mm (6.717 in)

FLEXORSET MODELS

This chart shows all available FlexorSets. Click on model numbers for more information.

Form Factor	Software/FPGA Tools	Carrier Model	FMC Model	FlexorSet Model	Description			
3U VPX	Virtex-7 ReadyFlow BSP GateFlow FDK Vivado	5973	3312	5973-312	4-Channel 250 MHz A/D & 2-Channel 800 MHz D/A			
				5973-313	4-Channel 250 MHz A/D & 2-Channel 800 MHz D/A with 4 multiband DDCs & interpolation filters			
			3316	5973-316	8-Channel 250 MHz 16-bit A/D			
				5973-317	8-Channel 250 MHz 16-bit A/D with 8 multiband DDCs			
				3320	5973-320	2-Channel 3 GHz A/D & 2-Channel 2.8 GHz D/A		
				3324	5973-324	4-Channel 500 MHz A/D & 4-Channel 2 GHz D/A		
	KintexUltraScale Navigator BSP Navigator FDK Vivado	5983*	3312	5983-313*	4-Channel 250 MHz A/D & 2-Channel 800 MHz D/A with 4 multiband DDCs & interpolation filters			
				5983-317*	8-Channel 250 MHz 16-bit A/D with 8 multiband DDCs			
			3320	5983-320*	2-Channel 3 GHz A/D & 2-Channel 2.8 GHz D/A			
			3324	5983-324*	4-Channel 500 MHz A/D & 4-Channel 2 GHz D/A			
			PCIe	Virtex-7 ReadyFlow BSP GateFlow FDK Vivado	7070	3312	7070-312	4-Channel 250 MHz A/D & 2-Channel 800 MHz D/A
							7070-313	4-Channel 250 MHz A/D & 2-Channel 800 MHz D/A with 4 multiband DDCs & interpolation filters
3316	7070-316	8-Channel 250 MHz 16-bit A/D						
	7070-317	8-Channel 250 MHz 16-bit A/D with 8 multiband DDCs						
3320	7070-320	2-Channel 3 GHz A/D & 2-Channel 2.8 GHz D/A						
3324	7070-324	4-Channel 500 MHz A/D & 4-Channel 2 GHz D/A						

*Consult with Mercury about the availability of a 5983A version of this product. For differences, see below.

Model 5983	Model 5983A
<p>Flash Memory - 1 Gbit of FLASH Memory</p> <p>Optical I/O (Option 110) - VITA 66.4 - Up to 12 duplex optical lanes are available on a VITA 66.4 connector.</p> <p>With the installation of a serial protocol, the VITA 66.4 interface enables a high-bandwidth connection between 5983s mounted in the same chassis or over extended distances.</p>	<p>Flash Memory -2 Gbit of BPI FLASH Memory</p> <p>Optical I/O (Option 110) - VITA 67.3D - Provides 12 duplex lanes @ 10 Gb/sec through the lower half of VPX P2 (VPX P2B).</p> <p>With the installation of a serial protocol, the VITA 67.3D interface enables gigabit communications between boards and chassis, independent of the PCIe interface.</p> <p>Consult with Mercury before ordering Option 110 (optical).</p> <p>Custom Analog I/O (Option 113) - VITA 67.3 - VITA 67.3 provides 10 coax connections through the lower half of VPX P2.</p>

ORDERING INFORMATION

Model	Description
5973-313	4-Channel 250 MHz 16-bit A/D, with DDCs, 2-Channel 800 MHz 16-bit D/A with DUC, Extended Interpolation and Virtex-7 FPGA - 3U VPX

Options:

-076	XC7VX690T-2 FPGA
-110	VITA-66.4 12X optical interface
-702	Air-cooled, Level 2
-763	Conduction-cooled, Level 3

Contact Mercury for compatible option combinations and complete specifications of rugged and conduction-cooled versions. Options may change, so be sure to contact Mercury for the latest information.

ACCESSORY PRODUCTS

Model	Description
2171	Cable kit: SSMC to SMA
5292	High-speed synchronizer and distribution board - 3U VPX model
9192	Rackmount high-speed system synchronizer unit

DEVELOPMENT SYSTEMS

Mercury offers development systems for Flexor products. They come with all pre-tested software and hardware ready for immediate operation. These systems are intended to save engineers and system integrators the time and expense associated with building and testing a development system that ensures optimum performance of Flexor boards. Please contact Mercury to configure a system that matches your requirements.

LIFETIME SUPPORT FOR FLEXOR PRODUCTS

Mercury offers worldwide customers shorter development time, reliable, rugged solutions for a variety of environments, reduced costs, and mature software development tools. We offer free lifetime support from our engineering staff, which customers can depend on through phone and email, as well as software updates. Take advantage of our 40 years of experience in delivering high-performance radar, communications, SIGINT, EW, and data acquisition MIL-Aero solutions worldwide.



Corporate Headquarters

50 Minuteman Road
 Andover, MA 01810 USA
+1 978.967.1401 tel
+1 866.627.6951 tel
+1 978.256.3599 fax

International Headquarters

Mercury International
 Avenue Eugène-Lance, 38
 PO Box 584
 CH-1212 Grand-Lancy 1
 Geneva, Switzerland
+41 22 884 5100 tel

Learn more

Visit: mrcy.com/go/MP5973-313

For technical details, contact:
mrcy.com/CF5973-313



The Mercury Systems logo and the following are trademarks or registered trademarks of Mercury Systems, Inc.: Mercury Systems, Innovation That Matters, Cobalt, Flexor, FlexorSet, GateFlow, ReadyFlow, Onyx, and Navigator. Other marks used herein may be trademarks or registered trademarks of their respective holders. Mercury believes this information is accurate as of its publication date and is not responsible for any inadvertent errors. The information contained herein is subject to change without notice.

