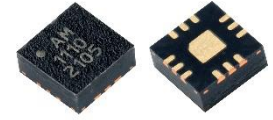


AM1110 – Amplifier

2 to 18 GHz Slope Correcting Gain Block

Description

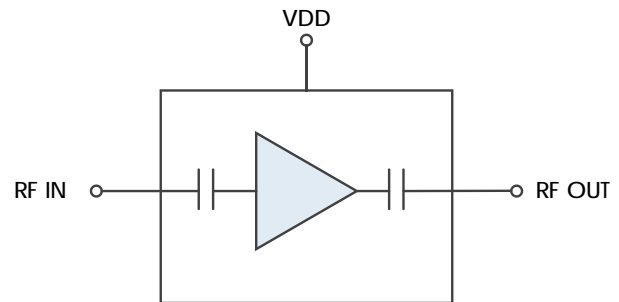
AM1110 is a wideband, cascadable amplifier servicing the 2 to 18 GHz frequency range. The device exhibits low gain at the lower frequencies ascending to moderate gain at the higher frequencies. The increasing gain across frequency makes the AM1110 an ideal solution to equalize gain/insertion loss across an RF system. Packaged in a 3mm QFN with internal 50Ω matching and drawing less than 220mW of power, the AM1110 is suited for low SWaP applications.



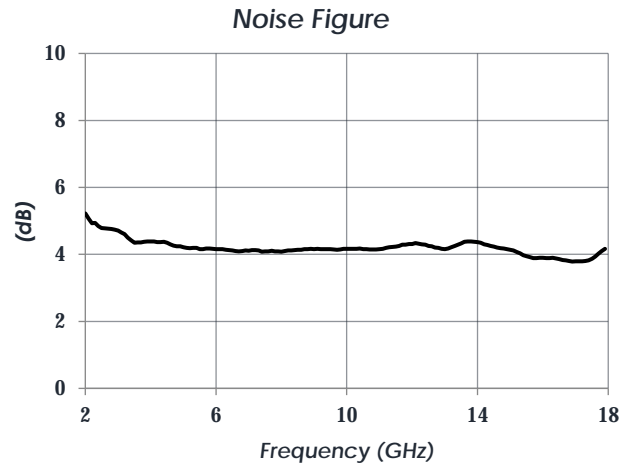
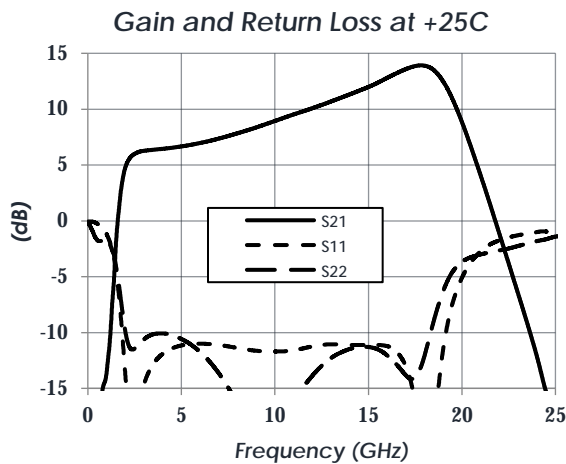
Features

- 9 dB Gain Slope
- 5 dB Gain at 2 GHz
- 14 dB Gain at 18 GHz
- 4 dB Noise Figure
- +27 dBm OIP3
- +17 dBm P1dB
- +3.3V Operation
- 205 mW Power Consumption
- 3mm QFN
- -40C to +85C Operation

Functional Diagram



Characteristic Performance



To obtain price, delivery, or to place an order contact MMICSales@mercy.com
 Atlanta Micro Inc., Now a part of Mercury Systems
 3720 Davinci Ct, Suite 400, Peachtree Corners, GA 30092 • Phone: (470) 253-7640 • www.atlantamicro.com

Table of Contents

Description	1	DC Electrical Characteristics.....	5
Features.....	1	RF Performance.....	5
Functional Diagram.....	1	Typical Performance.....	6
Characteristic Performance	1	Typical Performance (continued).....	7
Revision History	2	Typical Device Characteristics.....	7
Pin Layout and Definitions.....	2	Typical Application.....	8
Specifications	4	Evaluation PC Board	9
Absolute Maximum Ratings.....	4	Related Parts.....	9
Handling Information.....	4	Component Compliance Information.....	10
Recommended Operating Conditions....	4		

Revision History

Date	Revision Number	Notes
April 13, 2021	1	Initial Release
August 18, 2021	2	Notes added to Typical Application. Added part picture to front page.
February 7, 2023	3	Added thermal information

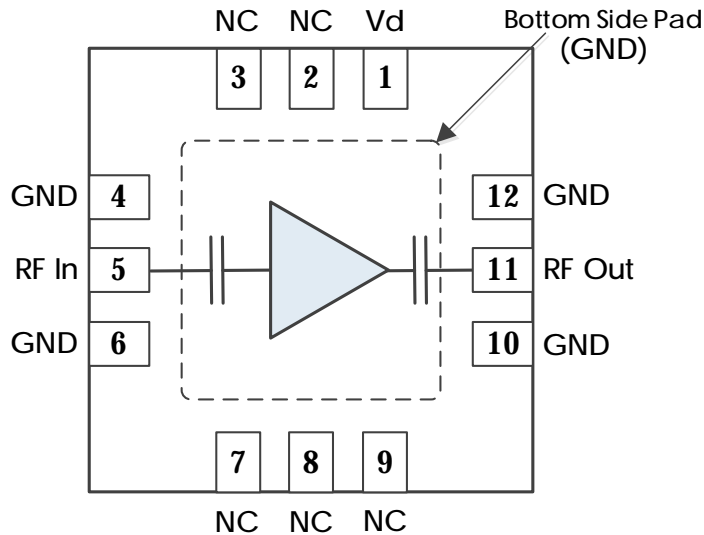
AM1110 – Amplifier



2 to 18 GHz Slope Correcting Gain Block

Pin Layout and Definitions

Note: All Un-Labeled Pins are NC or Ground



Pin Number	Pin Name	Pin Function
1	Vd	DC Power Input
2-3	NC	Not Connected
4	GND	Ground - Common
5	RF In	RF Input - 50 Ohms - DC Blocked
6	GND	Ground - Common
7-9	NC	Not Connected
10	GND	Ground - Common
11	RF Out	RF Output - 50 Ohms - DC Blocked
12	GND	Ground - Common

Note: NC pins may be grounded or left open

AM1110 – Amplifier



2 to 18 GHz Slope Correcting Gain Block

Specifications

Absolute Maximum Ratings

	Minimum	Maximum
Supply Voltage	-0.3 V	+3.5 V
RF Input Power		+20 dBm
Storage Temperature Range	-55 C	+150 C

Note: Any device operation beyond the Absolute Maximum Ratings may result in permanent damage to the device. The values listed in this table are extremes and do not imply functional operation of the device at these or any other conditions beyond what is listed under Recommended Operating Conditions. Any part subjected to conditions outside of what is recommended for an extended amount of time may suffer from reliability concerns.

Handling Information

	Minimum	Maximum
Storage Temperature Range (Recommended)	-50 C	+125 C
Moisture Sensitivity Level	MSL 3	



Atlanta Micro products are electrostatic sensitive.
Follow safe handling practices to avoid damage

Recommended Operating Conditions

	Minimum	Typical	Maximum
Supply Voltage	+3.0 V	+3.3 V	+3.5 V
Operating Case Temperature	-40 C		+85 C

Thermal Information

	Thermal Resistance (°C / W)
Junction to Case Thermal Resistance (θ_{JC})	279 C/W
Nominal Junction Temperature at +85C Ambient	+138 C
Channel Temperature to Maintain 1 Million Hour MTF	+175 C

To obtain price, delivery, or to place an order contact MMICSales@mrchy.com
Atlanta Micro Inc., Now a part of Mercury Systems
3720 Davinci Ct, Suite 400, Peachtree Corners, GA 30092 • Phone: (470) 253-7640 • www.atlantamicro.com

AM1110 – Amplifier

2 to 18 GHz Slope Correcting Gain Block

DC Electrical Characteristics

(T = 25 °C unless otherwise specified)

Parameter	Testing Conditions	Minimum	Typical	Maximum
DC Supply Voltage	VD		+3.3 V	
DC Supply Current	VD = +3.3V	55 mA	59 mA	62 mA
Power Dissipated	VD = +3.3V	182 mW	195 mW	205 mW

RF Performance

(T = 25 °C unless otherwise specified)

Parameter	Testing Conditions	Minimum	Typical	Maximum
Frequency Range		2 GHz		18 GHz
Gain	f = 2 GHz		4.8 dB	
	f = 10 GHz		8.9 dB	
	f = 18 GHz		13.9 dB	
Return Loss	f = 2 GHz		13.7 dB	
	f = 10 GHz		11.7 dB	
	f = 18 GHz		25.7 dB	
Output IP3	f = 10 GHz		27 dBm	
Output P1dB	f = 10 GHz		17 dBm	
Noise Figure	f = 10 GHz		4.1 dB	

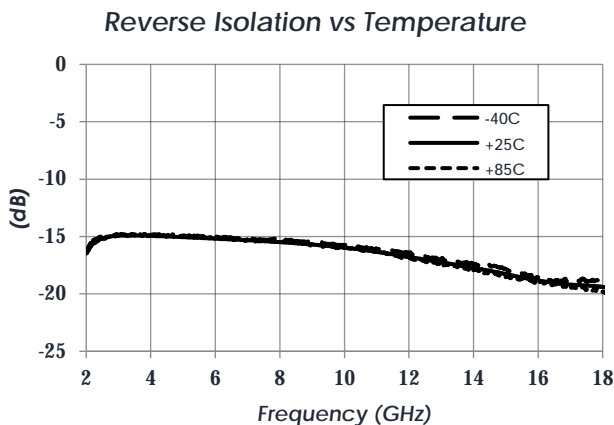
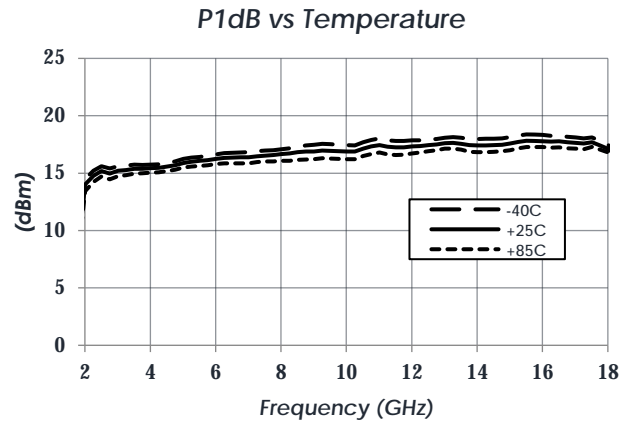
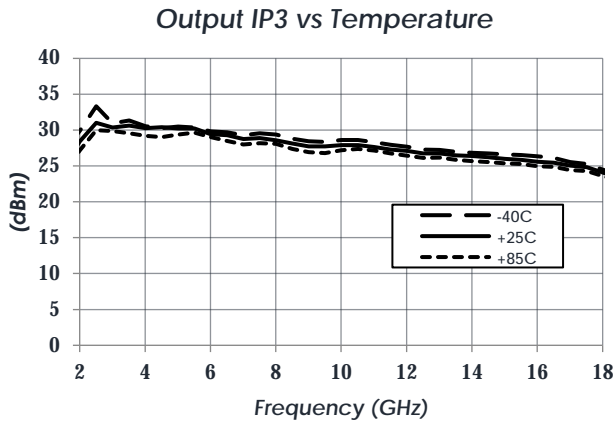
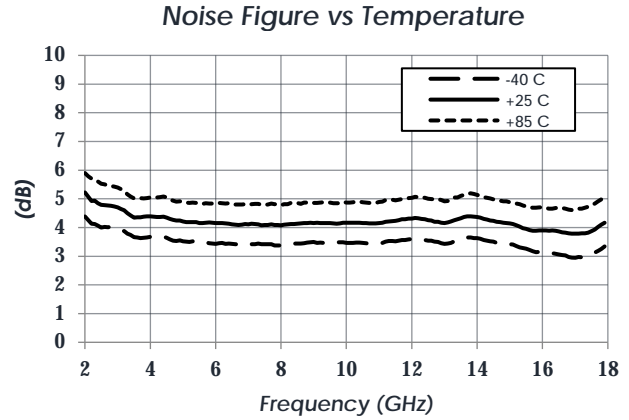
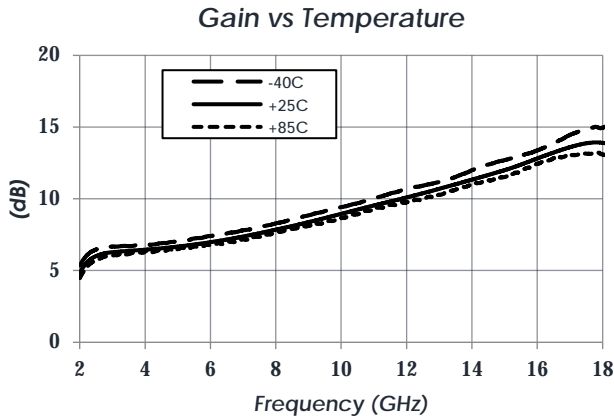
AM1110 – Amplifier



2 to 18 GHz Slope Correcting Gain Block

Typical Performance

(VDD = +3.3V, T = 25°C unless otherwise specified)



OIP3 Test Conditions: Two -15dBm tones at input with 10 MHz spacing.

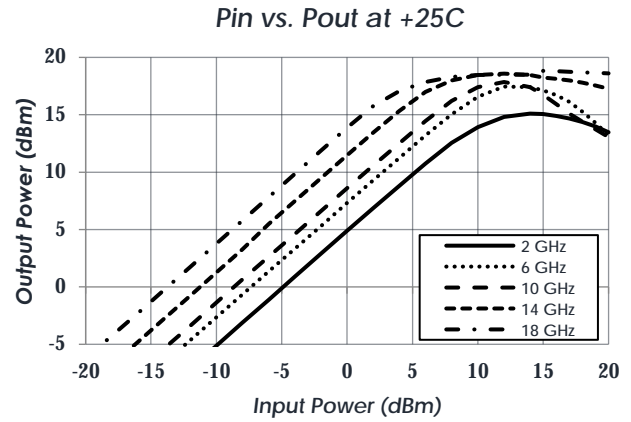
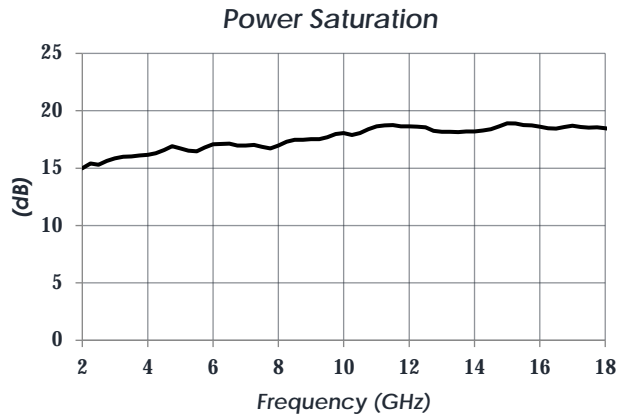
To obtain price, delivery, or to place an order contact MMICSales@mercy.com
Atlanta Micro Inc., Now a part of Mercury Systems
3720 Davinci Ct, Suite 400, Peachtree Corners, GA 30092 • Phone: (470) 253-7640 • www.atlantamicro.com

AM1110 – Amplifier

2 to 18 GHz Slope Correcting Gain Block

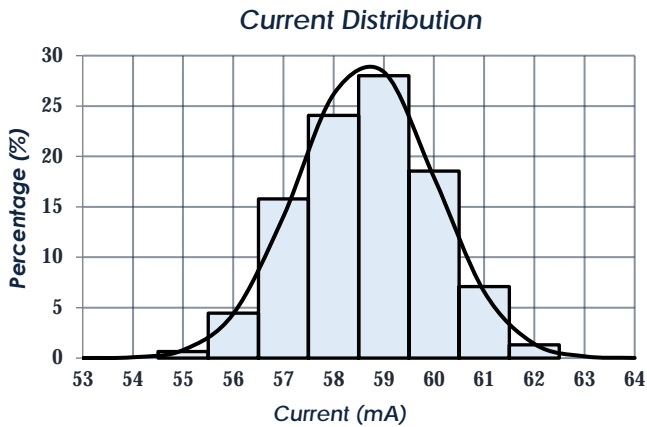
Typical Performance (continued)

(VDD = +3.3V, T = 25°C unless otherwise specified)



Typical Device Characteristics

(VDD = +3.3V, T = 25°C unless otherwise specified)



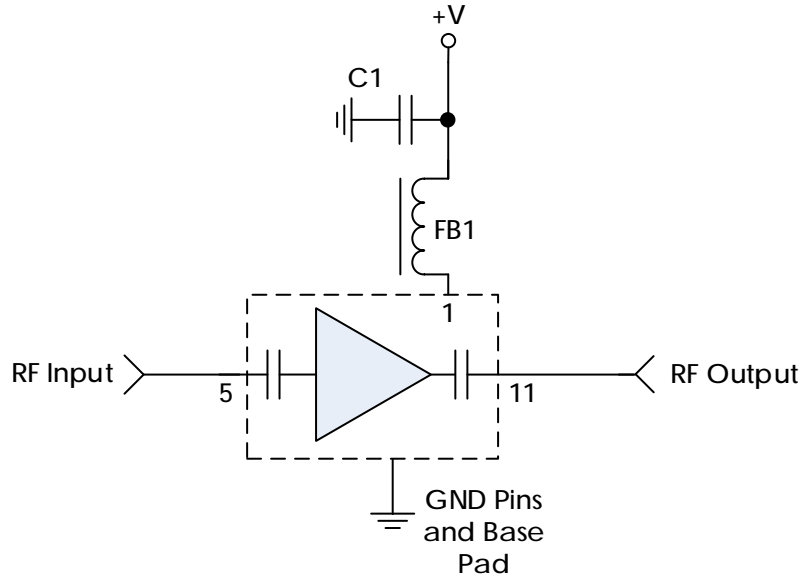
To obtain price, delivery, or to place an order contact MMICSales@mercy.com
 Atlanta Micro Inc., Now a part of Mercury Systems
 3720 Davinci Ct, Suite 400, Peachtree Corners, GA 30092 • Phone: (470) 253-7640 • www.atlantamicro.com

AM1110 – Amplifier

2 to 18 GHz Slope Correcting Gain Block



Typical Application



Note: NC pins may be grounded or left open

Recommended Component List (or equivalent):

Part	Value	Part Number	Manufacturer
C1	0.1 μ F	GRM155R71C104KA88	Murata
FB1	-	MMZ1005A222E	TDK

Notes:

1. FB1 and C1 are required for proper operation of the AM1110.
 - a. AM1110 must see a large-valued inductor or ferrite bead at pin 1 before a shunt capacitor is to be placed for power line filtering.
 - b. If a capacitor is placed at pin 1 before FB1, AM1110 will not operate as shown in Typical Performance section.

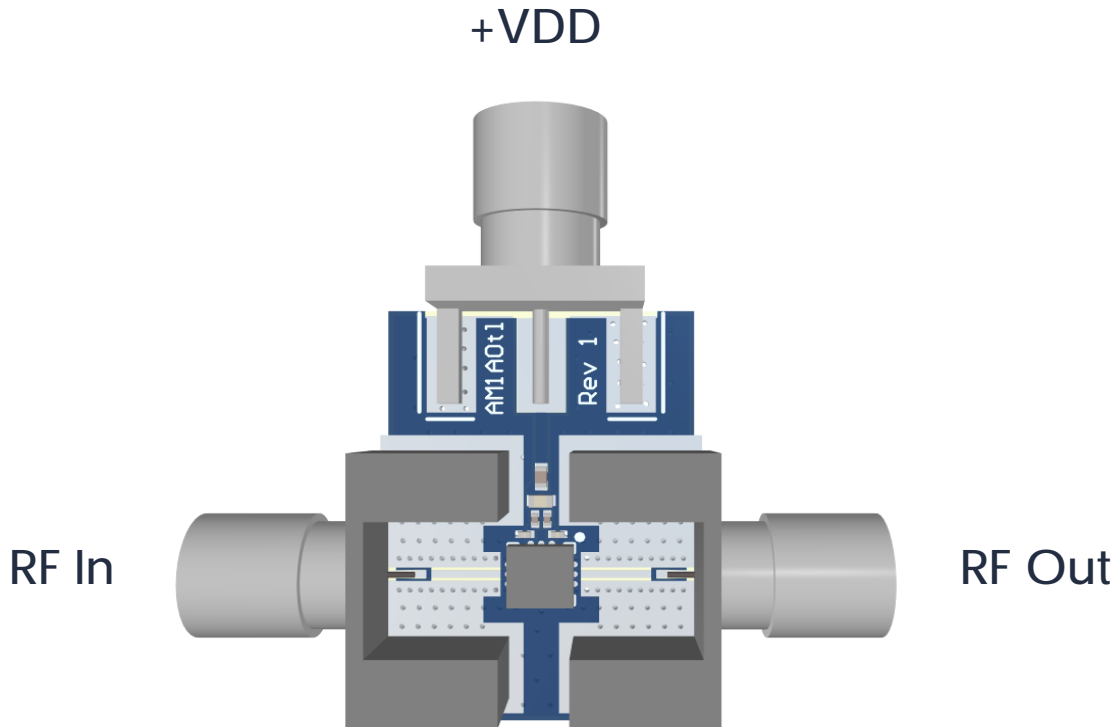
To obtain price, delivery, or to place an order contact MMICSales@mercy.com
 Atlanta Micro Inc., Now a part of Mercury Systems
 3720 Davinci Ct, Suite 400, Peachtree Corners, GA 30092 • Phone: (470) 253-7640 • www.atlantamicro.com

AM1110 – Amplifier



2 to 18 GHz Slope Correcting Gain Block

Evaluation PC Board



Note: Not all components shown may be installed.

Related Parts

Part Number	Description		
AM1053	5 GHz	to 20 GHz	Gain Block
AM1070	DC	to 18 GHz	Broadband Gain Block
AM1071	DC	to 18 GHz	Broadband Gain Block
AM1100	2 GHz	to 16.5 GHz	Low Noise Amplifier
AM1101	2 GHz	to 26.5 GHz	Bypassable Amplifier
AM1102	DC	to 22 GHz	Low Noise Amplifier

To obtain price, delivery, or to place an order contact MMICSales@mercy.com
Atlanta Micro Inc., Now a part of Mercury Systems
3720 Davinci Ct, Suite 400, Peachtree Corners, GA 30092 • Phone: (470) 253-7640 • www.atlantamicro.com

Component Compliance Information

RoHS: Atlanta Micro, Inc. hereby certifies that all products comply with the EC Directive 2011/65/EC on the Restriction of Hazardous Substances, commonly known as EU-RoHS 6 and 10. All products supplied by Atlanta Micro shall be compliant with the European Directive 2011/65/EC based on the following substance list.

Substance List	Allowable Maximum Concentration
Lead (Pb)	<1000 PPM (0.1% by weight)
Mercury (Hg)	<1000 PPM (0.1% by weight)
Cadmium (Cd)	<75 PPM (0.0075% by weight)
Hexavalent Chromium (CrVI)	<1000 PPM (0.1% by weight)
Polybrominated Biphenyls (PBB)	<1000 PPM (0.1% by weight)
Polybrominated Diphenyl ethers (PBDE)	<1000 PPM (0.1% by weight)
Decabromodiphenyl Deca BDE	<1000 PPM (0.1% by weight)
Bis (2-ethylhexyl) Phthalate (DEHP)	<1000 PPM (0.1% by weight)
Butyl Benzyl Phthalate (BBP)	<1000 PPM (0.1% by weight)
Dibutyl Phthalate (DBP)	<1000 PPM (0.1% by weight)
Diisobutyl Phthalate (DIBP)	<1000 PPM (0.1% by weight)

REACH: Atlanta Micro, Inc. neither uses nor intentionally adds any of the substances considered to be a Substance of Very High Concern (SVHC) as defined by the EU Regulation (EC) No. 1907-2006 on Registration, Evaluation, Authorization, and Restriction of Chemicals (REACH).

Conflict Materials: Atlanta Micro does not knowingly use materials that are sourced from the Democratic Republic of Congo (DRC) or any other known conflict regions. Atlanta Micro's supply chain is comprised of sources that are both environmentally and socially responsible. We periodically review this requirement with our vendors to ensure continued compliance.

Atlanta Micro takes its responsibility as a global partner seriously and will use due diligence within our supply chain to ensure all standards are met to the best of our knowledge.