

# SBC3515-S

## 3U OpenVPX Single Board Computer with BuiltSAFE®

Tackle AI and aircraft safety-critical workloads with confidence

- Intel® Core™ Gen 11 processor
- Integrated Iris Xe Gen12 GPU
- Safety certifiable with complete DO-254 and DO-178C artifacts
- 10 Gb Ethernet
- 35 W power-efficient performance
- Rugged and SOSA aligned



### TECHNICAL SPECIFICATIONS

#### Processor

Intel® Core™ Gen11 i7-1185GRE  
 Quadcore dual thread @2.8 GHz  
 Vector (AVX-512) and AI accelerators  
 Technology 10 nm on SuperFin transistor

#### Integrated Graphic Processing Unit

GPU Iris Xe Gen12 Gfx with up to 96 EUs  
 Video encode/decode H264/H265

#### BuiltSAFE® Proven Elements

DO-254 hardware  
 DO-178C graphics, compute, and video encode/decode software  
 Board monitoring and health alarms  
 Design and information assurance

#### Memory

32 GB DDR4-3200 in-band ECC memory  
 Up to 128 GB on-board SSD

#### Configurable I/O

Up to 4 independent display units  
 2x 10 G Ethernet  
 1x 1000 BASE-T Ethernet with TSN  
 2x SATA

#### Fabric Interface

PCIe Gen3 2x 4-lane, 4x 2-lane  
 SOSA/OpenVPX slot profile MOD3-PAY-1F1F2U1TU1T-16.2.15-2

#### System Management

On-board IPMI controller VITA46.11

#### Mechanical

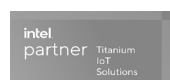
3U OpenVPX, 1.0" slot pitch, VITA 65  
 XMC slot, VITA 61  
 P1: X12d pins to VPX backplane  
 P2: X8d + X16s pins to VPX backplane

#### Rugged and Low Power

Temperature: -40°C to 85°C card edge  
 Air- or conduction-cooled configurations  
 35 W power consumption

[Advanced rugged packaging options](#)

Partnering with

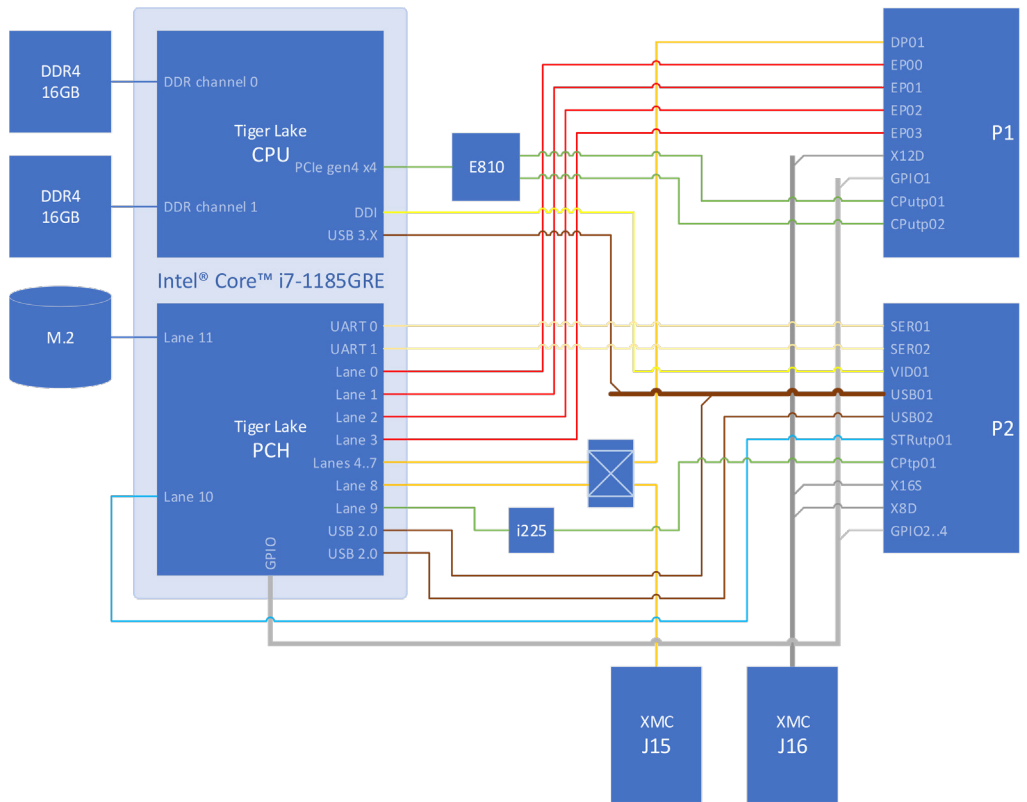


TECHNICAL SPECIFICATIONS

Board Support Packages (BSP)

- Linux
- Greenhills
- DeOS
- LynxOS
- PikeOS
- WindRiver

SBC3515-S Block Diagram



Corporate Headquarters

50 Minuteman Road  
 Andover, MA 01810 USA  
 +1 978.967.1401 tel  
 +1 866.627.6951 tel  
 +1 978.256.3599 fax

International Headquarters

Mercury International

Avenue Eugène-Lance, 38  
 PO Box 584  
 CH-1212 Grand-Lancy 1  
 Geneva, Switzerland  
 +41 22 884 51 00 tel

Learn more

Visit: [mrcy.com/contact-us](http://mrcy.com/contact-us)



The Mercury Systems logo and the following are trademarks or registered trademarks of Mercury Systems, Inc.: Mercury Systems, Innovation That Matters, and BuiltSECURE. Other marks used herein may be trademarks or registered trademarks of their respective holders. Mercury believes this information is accurate as of its publication date and is not responsible for any inadvertent errors. The information contained herein is subject to change without notice.