



# AVM4077

## 7" HD Multi-Function Display

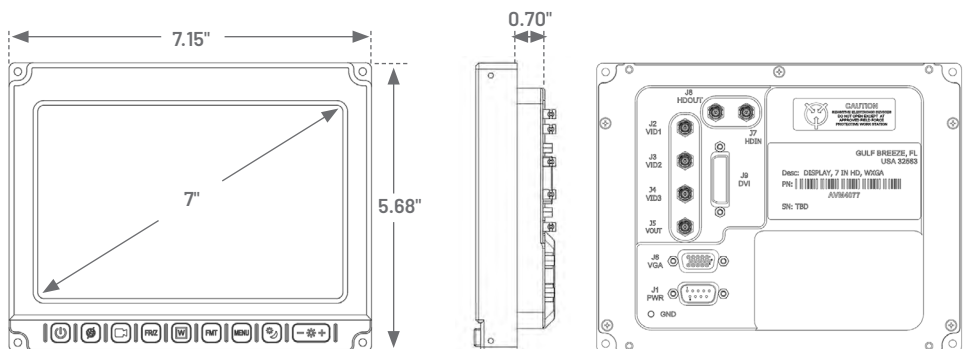
Upgrade your cockpit with a proven and reliable compact HD display for mission needs

- 7" 16:10 HD color display
- HD, SD, DVI and VGA I/O
- Sunlight-readable LCD
- Freeze/zoom capability
- Four screen modes
- Optional NVIS compatibility



### Small is powerful

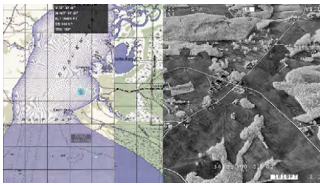
- 7" 16:10 aspect ratio display
- 1280 x 800 resolution
- HD, SD, DVI and VGA inputs/outputs
- Sunlight-readable LCD
- Rugged milled aluminum frame
- Compact 7.15" width
- Thin profile
- Passive cooling
- NVIS compatibility (optional)



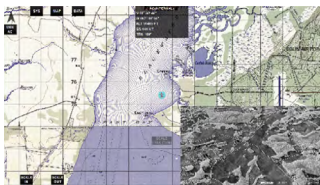
CONTACT US



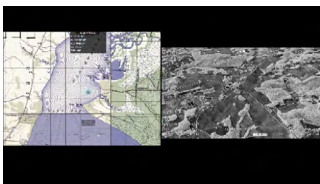
The AVM4077 offers four screen modes\*: full screen, split screen (SS), picture-in-picture (PIP) and picture-by-picture (PBP), also known as side-by-side. Full-screen mode displays only one input signal and maintains the aspect ratio of the input source.



Split-screen mode displays two input signals simultaneously; these images are positioned next to each other and stretched vertically to fit the screen.



Picture-in-picture mode also displays two inputs simultaneously, one in a large format and one in a smaller window whose position is configurable via the display setup menus.



Like split screen, picture-by-picture or side-by-side mode displays two inputs next to each other; these images, however, retain the aspect ratios of their respective video inputs. Excess screen space appears as black bars.

\*Modes are subject to change without notice.

**SPECIFICATIONS**

**Dimensions**

Display Area	7" (177.8 mm) diagonal
Height	5.68" (144.27) mm
Width	7.15" (181.61) mm
Depth	0.70" (17.78 mm) from back of bezel
Weight	1.7 lb (0.77) kg

**I/O**

Power	28 VDC
Composite Video	3 inputs/1 loop-through
HD Video	1 input/1 loop-through
VGA	1
DVI	1

**Characteristics**

Power Draw	0.39A @ 28 VDC, 11 W
Aspect Ratio	16:10
Resolution	1280 x 800
Horiz. Viewing Angle	160°
Vert. Viewing Angle	140°
Contrast Ratio	800:1
NVIS	Class B (optional)

**Qualifications**

MIL-STD-810, MIL-STD-461

**Variants**

AVM4077N NVIS-compatible

**Contact**

mission@rcy.com  
+1 850.470.8464 tel

**Learn more**

rcy.com/displays



© 2022 Mercury Systems, Inc. The Mercury Systems logo and the following are trademarks or registered trademarks of Mercury Systems, Inc.: Mercury Systems, Innovation That Matters, and BuiltSECURE. Other marks used herein may be trademarks or registered trademarks of their respective holders. Mercury believes this information is accurate as of its publication date and is not responsible for any inadvertent errors. The information contained herein is subject to change without notice.  
8133.00E-0422-ds-GulfBreeze-AVM\_4077