

# SCM6010 and CAN6000 Plug-In Storage

## 6U OpenVPX SSD Carrier with PCIe Switching and Removable Canister

Removable high-speed storage for rapid mission refresh

- Up to 24 TB of high-speed storage
- 48x PCIe Gen3 low-latency, high-bandwidth read/write lanes
- Removable storage canister
- Optimized for size, weight, power and cooling for versatility
- Key building block for developing AI, EO/IR, and radar processing systems



**High-speed storage module with removable canister for rapid mission updates.** EnsembleSeries™ SCM6010 are rugged, 6U OpenVPX™ storage modules that utilize a low-latency PCIe architecture accessed via the system backplane's expansion plane. When integrated with other Mercury OpenVPX modules, the SCM6010 supplies the storage required for intense AI, EO/IR image/video and radar processing applications.

Designed for aerospace and defense applications, SCM6010 modules package the latest commercially developed M.2 NVME technology into rugged, easily removed canisters (CAN6000) that provide for rapid mission refresh or removal of sensitive IP. Out-of-the-box software and drivers make for easy adoption and manageability of SCM6010 modules, which carry a single CAN6000 storage canister. Canisters are removable with a hex drive screwdriver.

### Storage Carrier Module

Each SCM6010 6U carrier module utilizes a Microsemi Switchtec™ PM8536 switch that delivers 16 PCIe Gen3 read/write lanes to the OpenVPX backplane. M.2's native PCIe wideband, low-latency interconnect with significantly less device software overhead produces greater performance than other approaches. Each CAN6000 canister holds up to six M.2 SSDs (4 TB ea.), up to 24 TB of total module storage capability, and is rated up to 1000 insertion/removal cycles.

### System Management

SCM6010 storage modules implement the VITA 46.11 advanced system management functionality to remotely monitor system health, manage alarms and validate hardware revision. Using the standard IPMI-A and IPMI-B bus, SCM6010 storage modules implement full IPMC on-board system management.

**TECHNICAL SPECIFICATIONS**

**Module**

Supports 16 Gen3 PCIe interfaces to the backplane with each link configurable to Gen2 or Gen1 data rates

Supports six M.2 SSDs at x4 Gen3 PCIe

Supports OpenVPX management plane; dual IPMB interfaces per VITA 65

Designed for installation into VITA 46 and VITA 65-compliant chassis

**Power Requirements**

Input voltages

12V payload power

3.3V\_AUX management power

**Packaging**

VITA 48 cooling options: AC (48.1), CC (48.2), AFB (48.7), LFT (48.4)

**Mechanical**

6U OpenVPX, 1.0" slot pitch

**OpenVPX Slot Profile**

VITA 65 Slot Profile:  
SLT6-PER-1Q-10.3.5

VITA 65 Module Profile:  
MOD6-PER-1Q-12.3.5-n

**System Management**

Read sensor values

Read and write sensor thresholds, allowing an application to react to thermal, voltage, or current variations that exceed those thresholds

Reset the entire module

Power up/down the entire module

Retrieve module field replaceable unit (FRU) information

Interface with and be managed remotely by a VITA 46.11-compliant chassis manager

**Option**

[MOTS/MOTS+ rugged packaging](#)

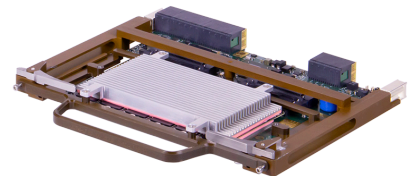
**Mercury's Processing Ecosystem**

To build an AI intensive processing subsystem, combine:

- 1x HDS6605 (high density server)
- 1x SFM6126 (network switch) configured with 2x IOM-400 (I/O interface)
- 1x SMA-301 (system management)
- 2x SCM6010 (storage)
- 1x ruggedized chassis

Or, choose from our broad portfolio of interoperable hardware and software building blocks to design your own edge-ready [processing subsystem](#).

\*depends on mechanical configuration



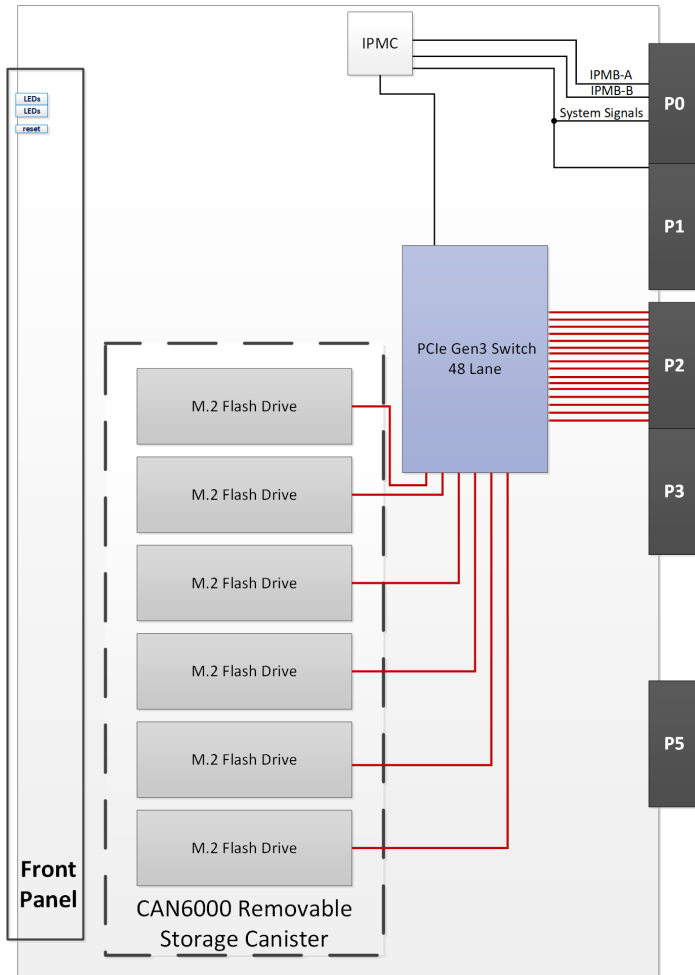
**CLOUD COMPUTING**



**TACTICAL EDGE COMPUTING**



Functional block diagram



Corporate Headquarters

50 Minuteman Road  
 Andover, MA 01810 USA  
 +1 978.967.1401 tel  
 +1 866.627.6951 tel  
 +1 978.256.3599 fax

International Headquarters

Mercury International

Avenue Eugène-Lance, 38  
 PO Box 584  
 CH-1212 Grand-Lancy 1  
 Geneva, Switzerland  
 +41 22 884 51 00 tel

Learn more

Visit: [mrcy.com/boards/storage](http://mrcy.com/boards/storage)

Contact: [mrcy.com/contact-us](http://mrcy.com/contact-us)



The Mercury Systems logo and the following are trademarks or registered trademarks of Mercury Systems, Inc.: Mercury Systems, Innovation That Matters, and EnsembleSeries. Other marks used herein may be trademarks or registered trademarks of their respective holders. Mercury believes this information is accurate as of its publication date and is not responsible for any inadvertent errors. The information contained herein is subject to change without notice.

