



AVM4147

14" Widescreen HD Multi-Function Display

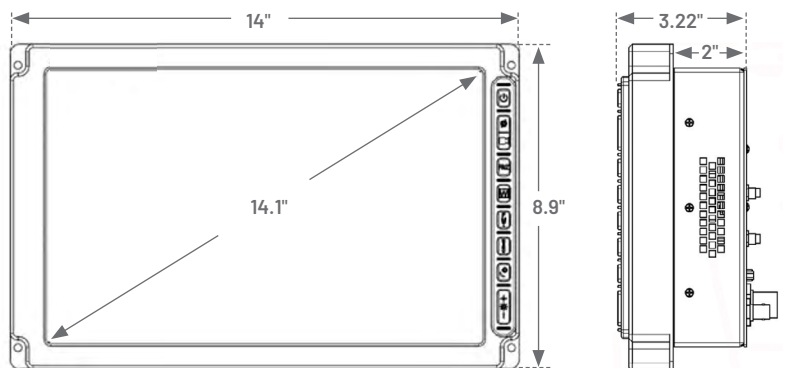
Employ a widescreen display with maximum visibility in a minimal footprint

- 14.1" widescreen color display
- HD, SD and VGA inputs with optional output configurations
- Sunlight-readable LCD
- Rugged chassis
- Multiple screen modes
- Optional features: touchscreen, NVIS, heater and more



Maximum visibility, minimum footprint

- 14.1" 16:10 aspect ratio display
- 1280 x 800 resolution
- HD, SD and VGA inputs
- Multiple screen modes
- Rugged milled aluminum frame
- Handles latest signals and inputs from moving maps, sensors and more
- Optional variants: NVIS Compatibility, touchscreen, heated LCD, remote dimming, video out, DVI

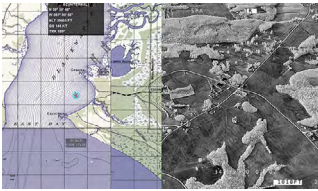


CONTACT US

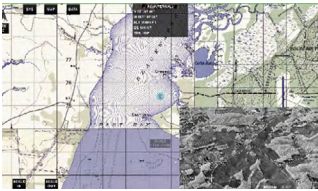
AVM4147 14" Widescreen HD Multi-Function Display



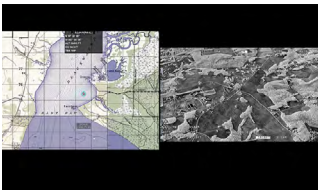
The AVM4147 offers four screen modes*: full screen, split screen(SS), picture-in-picture (PIP) and picture-by-picture (PBP), also know as side-by-side. Full-screen mode displays only one input signal and maintains the aspect ratio of the input source.



Split-screen mode displays two input signals simultaneously; these images are positioned next to each other and stretched vertically to fit the screen.



Picture-in-picture mode also displays two inputs simultaneously, one in a large format and one in a smaller window whose position is configurable via the display setup menus.



Like split screen, picture-by-picture or side-by-side mode displays two inputs next to each other; these images, however, retain the aspect ratios of their respective video inputs. Excess screen space appears as black bars.

*Modes are subject to change without notice.

SPECIFICATIONS

Dimensions

Display Area	14.1" (358.14 mm) diagonal
Height	8.9" (226.1 mm)
Width	14" (355.6 mm)
Depth	3.22" (81.8 mm) overall 2.00" (50.8 mm) behind mounting plate
Weight	8.6 lb (3.9 kg)

I/O

Power	28 VDC
Composite Video	3 inputs/1 output (optional)
HD Video	2 inputs/1 output
VGA	2 inputs
Signals	NTSC, PAL, SMPTE292M, VGA DVI (optional)

Characteristics

Power Draw	36 W
Aspect Ratio	16:10
Resolution	1280 x 800 pixels (WXGA)
Horiz. Viewing Angle	160°
Vert. Viewing Angle	140°
Contrast Ratio	700:1
NVIS	Class B (optional)
Operating Temp	-45°C to +71°C (with heater)

Qualifications

MIL-STD-810G, MIL-STD-461F

Variants

AVM4147N	NVIS-compatible
AVM4147V	Video out
AVM4147H	Heater
AVM4147G	Triax video connectors
AVM4147T	Touchscreen
AVM4147TI	DVI & touchscreen
AVM4147RT	Remote dimming & touchscreen
AVM4147TE	Touchscreen & black rear housing

Contact

mission@rcy.com
+1 850.470.8464 tel

Learn more

rcy.com/displays



© 2022 Mercury Systems, Inc. The Mercury Systems logo and the following are trademarks or registered trademarks of Mercury Systems, Inc.: Mercury Systems, Innovation That Matters, and BuiltSECURE. Other marks used herein may be trademarks or registered trademarks of their respective holders. Mercury believes this information is accurate as of its publication date and is not responsible for any inadvertent errors. The information contained herein is subject to change without notice.
8135.00E-0422-ds-GulfBreeze-AVM_4147