

AM1143 – Amplifier

20 MHz to 6.0 GHz Gain Block

AM1143 is a high dynamic range cascadable gain block covering the 20 MHz to 6.0 GHz frequency range.

The device exhibits high P1dB, high second and third order intercept performance, and low noise figure while also providing excellent gain stability over the operating temperature range. With internal 50Ω matching and packaged in a 3mm QFN or a shielded module, the AM1143 represents a compact total PCB footprint.

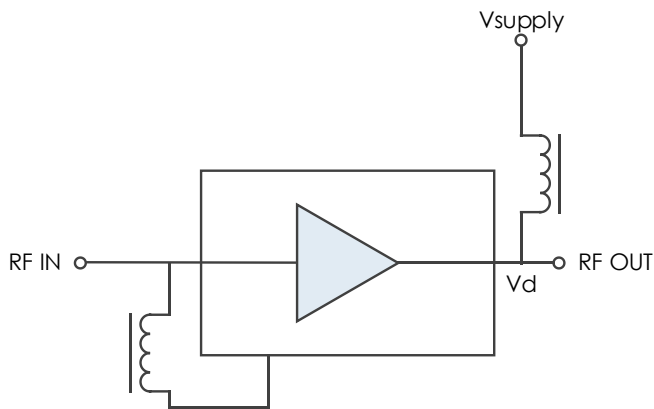
FEATURES

- 20 dB Gain
- +55 dBm OIP2
- +40 dBm OIP3
- +27 dBm P1dB
- +28 dBm PSat
- 2.0 dB Noise Figure
- +8.0V Supply Range
- 3mm QFN Package
- -40C to +85C Operation

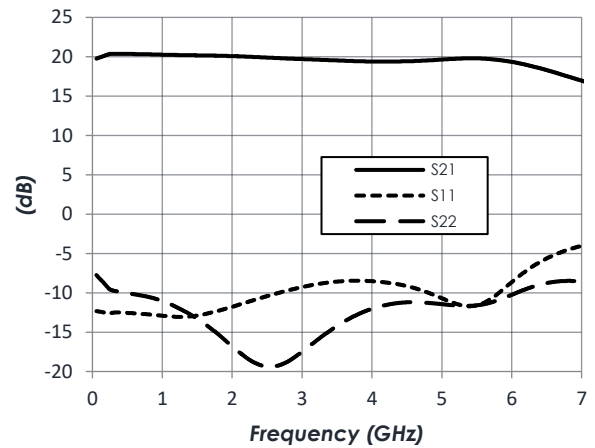
CHARACTERISTIC PERFORMANCE

(V Supply = +8.0V, Device Voltage [Vd] = +7.3V, Id = 200 mA)

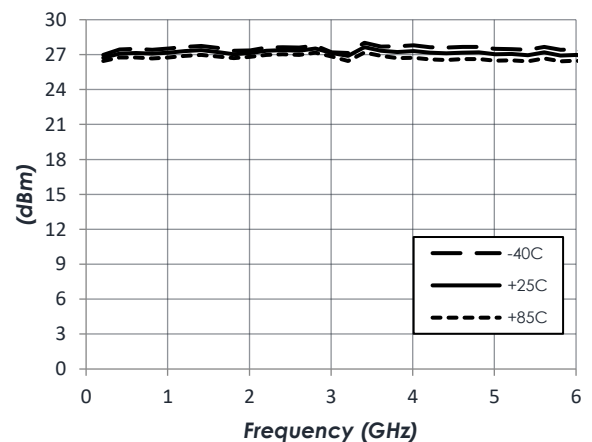
FUNCTIONAL DIAGRAM



Gain and Return Loss at +25C



P1dB vs Temperature



CONTENTS

FEATURES 1

FUNCTIONAL DIAGRAM 1

CHARACTERISTIC PERFORMANCE 1

REVISION HISTORY 2

PIN LAYOUT AND DEFINITIONS 3

SPECIFICATIONS 4

TYPICAL PERFORMANCE 6

TYPICAL APPLICATION 8

RECOMMENDED COMPONENT LIST (OR EQUIVALENT) 8

PARTS ORDERING DETAILS 8

EVALUATION PC BOARD 9

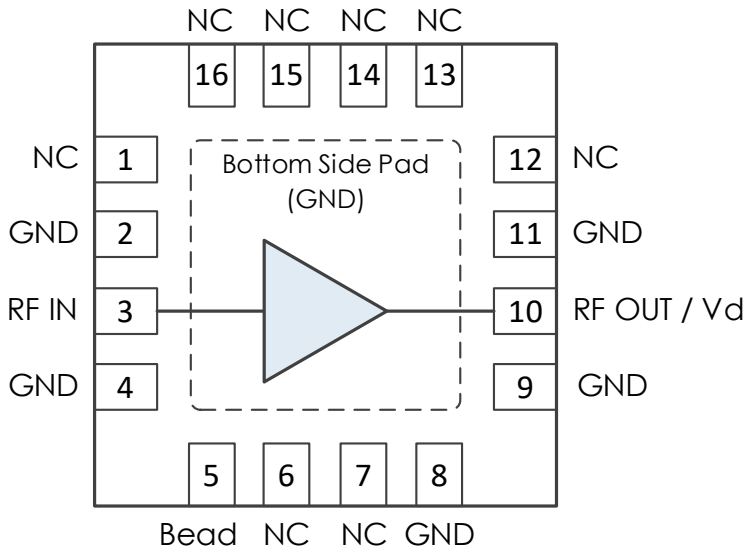
RELATED PARTS 9

COMPONENT COMPLIANCE INFORMATION 10

REVISION HISTORY

Date	Revision	Notes
November 16, 2021	1	Preliminary Release.
June 21, 2022	2	Updated Supply Voltages.
July 20, 2022	3	Fixed min and max supply voltages.
May 23, 2023	4	Updated application drawing to use 0201 caps.
June 20, 2024	5	Changed to Mercury branding. No content changes.
September 17, 2025	6	Updated image for Eval Board Rev2
May 11, 2026	7	Added note about max inrush current

PIN LAYOUT AND DEFINITIONS



Pin	Name	Function
1	NC	Not Connected*
2	GND	Ground - Common
3	RF In	RF Input - 50 Ohms - DC Coupled. External DC Blocking Capacitor Required
4	GND	Ground - Common
5	Bead	Connect to RF In through external ferrite bead or large inductor
6,7	NC	Not Connected*
8,9	GND	Ground - Common
10	RF Out / Vd	RF Output and DC Power Input - 50 Ohms - DC Coupled. External DC Blocking Capacitor Required
11	GND	Ground - Common
12-16	NC	Not Connected*
Case GND	GND	Ground - Common

***Note:** NC pins may be grounded or left open.

SPECIFICATIONS

Absolute Maximum Ratings

	Minimum	Maximum
Supply Voltage		+10.0 V
RF Input Power		+20 dBm
Operating Junction Temperature	-40 C	+175 C
Storage Temperature Range	-55 C	+150 C

Note: Any device operation beyond the Absolute Maximum Ratings may result in permanent damage to the device. The values listed in this table are extremes and do not imply functional operation of the device at these or any other conditions beyond what is listed under Recommended Operating Conditions. Any part subjected to conditions outside of what is recommended for an extended amount of time may suffer from reliability concerns.

Handling Information

	Minimum	Maximum
Moisture Sensitivity Level	MSL 1	



Mercury products are electrostatic sensitive. Follow safe handling practices to avoid damage.

Recommended Operating Conditions

	Minimum	Typical	Maximum
Supply Voltage	+7.7 V	+8.0 V	+8.0 V
Device Voltage	+7.0 V	+7.3 V	+8.0 V
Operating Case Temperature	-40 C		+85 C

Thermal information

Junction to Package Ground Thermal Resistance (θ_{jc})	52.6 C/W
Nominal Junction Temperature at +85C ambient	+164 C
Channel Temperature to Maintain 1 Million Hour MTTF	+175 C

DC Electrical Characteristics

(T = 25 °C unless otherwise specified)

Param	Testing Conditions	Min	Typical	Max
DC Supply Voltage		+7.7 V	+8.0 V	+8.0 V
DC Device Voltage (Vd)			+7.3 V	+8.0 V
DC Device Current	V Supply = +8.0 V, steady state		200 mA	
Inrush Current	Startup			300 mA*
Power Dissipated By IC	V Supply = +8.0 V		1.46 W	

***Note:** This represents the maximum current consumption of the device at startup across temperature extremes. The power supply attached to the device must be capable of sourcing this current at the indicated minimum supply voltage for the device to reach steady state operation.

RF Performance

(T = 25 °C unless otherwise specified)

Param	Testing Conditions	Min	Typical	Max
Frequency Range		20 MHz		6.0 GHz
Gain	V Supply = +8.0 V		20 dB	
Return Loss	V Supply = +8.0 V		9 dB	
Reverse Isolation	V Supply = +8.0 V		24 dB	
Output IP3	V Supply = +8.0 V		+40 dBm	
Output IP2	V Supply = +8.0 V		+50 dBm	
Output P1dB	V Supply = +8.0 V		+27 dBm	
Output Power Saturation	V Supply = +8.0 V		+28 dBm	
Noise Figure	V Supply = +8.0 V		2.0 dBm	

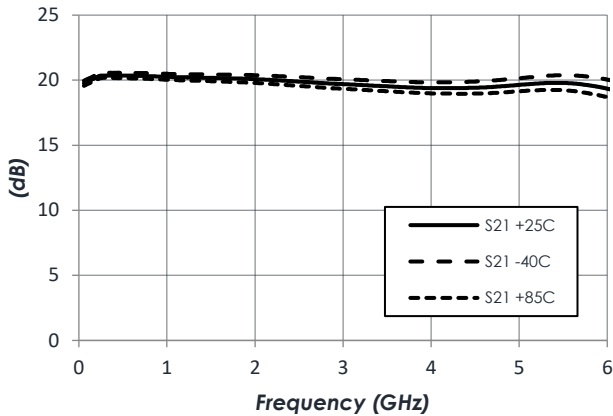
Notes:

- IP3 measured with 10MHz tone spacing.
- IP2 characterized with sum and difference measurements.
 - IP2 sum measured with 10MHz tone spacing. IM2 measured at $f_1 + f_2$
 - IP2 difference measured with tones at f_1 and $f_2 = (2 \times f_1) - 10MHz$. IM2 measured at $f_2 - f_1$

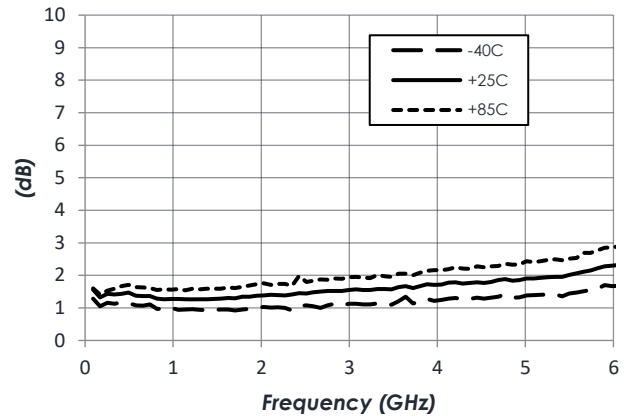
TYPICAL PERFORMANCE

(V Supply = +8.0V, Device Voltage [Vd] = +7.3V, Id = 200 mA)

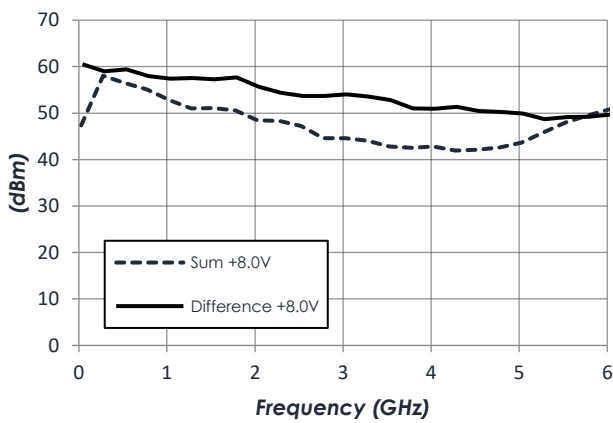
Gain vs Temperature



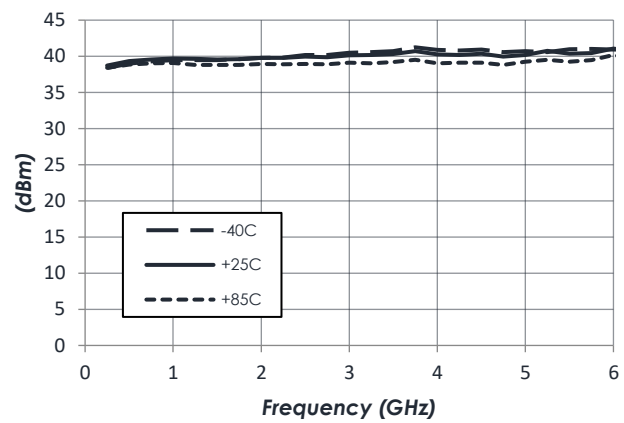
Noise Figure vs Temperature



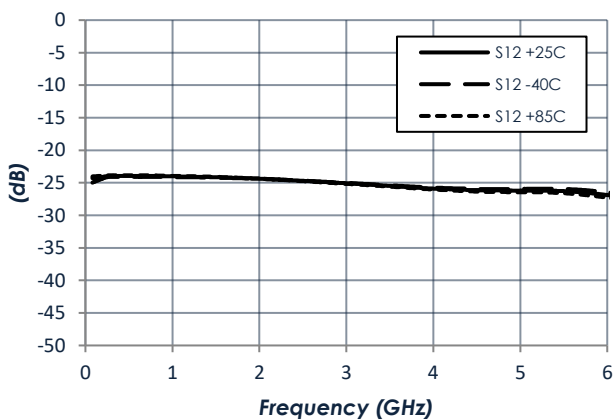
Output IP2 Sum and Difference



Output IP3 vs Temperature



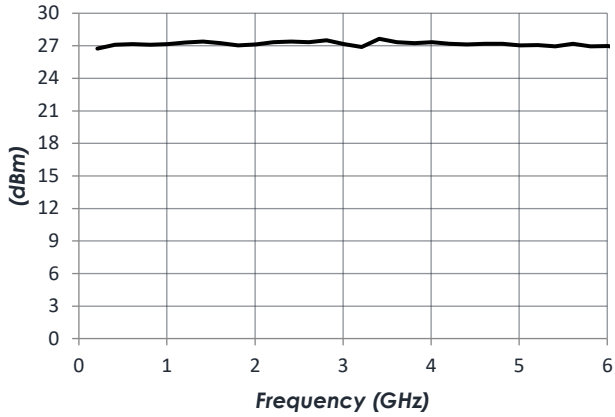
Reverse Isolation vs Temperature



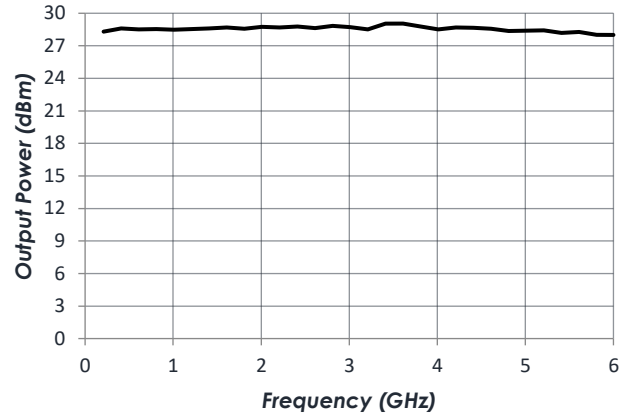
TYPICAL PERFORMANCE (CONTINUED)

(V Supply = +8.0V, Device Voltage [Vd] = +7.3V, Id = 200 mA,
T = 25°C Unless Otherwise Specified)

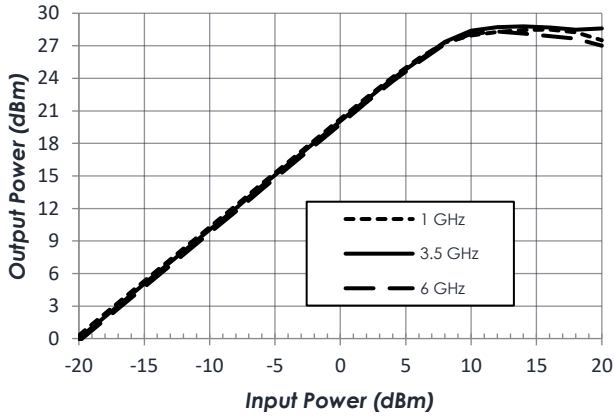
P1dB



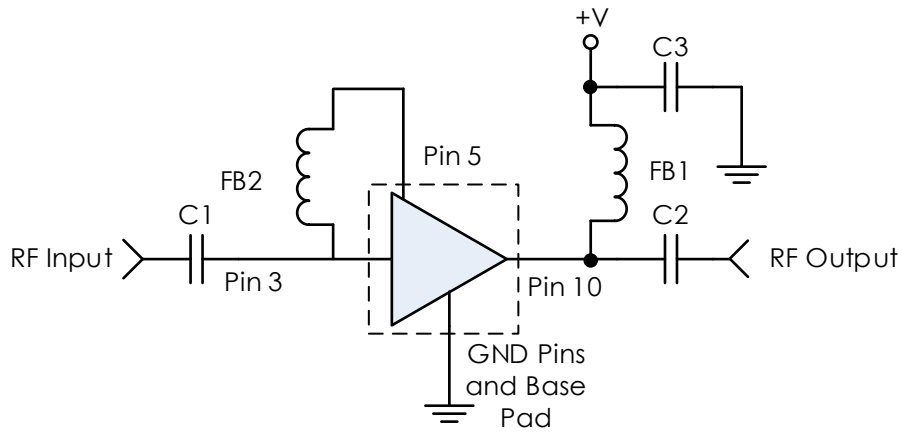
Saturated Output Power



Pin vs. Pout at +25C



TYPICAL APPLICATION



RECOMMENDED COMPONENT LIST (OR EQUIVALENT)

Part	Value	Part Number	Manufacturer
C1, C2	0.1 μ F	0201BB104KW160	Passives Plus
C3	0.1 μ F	GRM155R71C104KA88	Murata
FB1, FB2	-	BLM15HG102SN1D	Murata

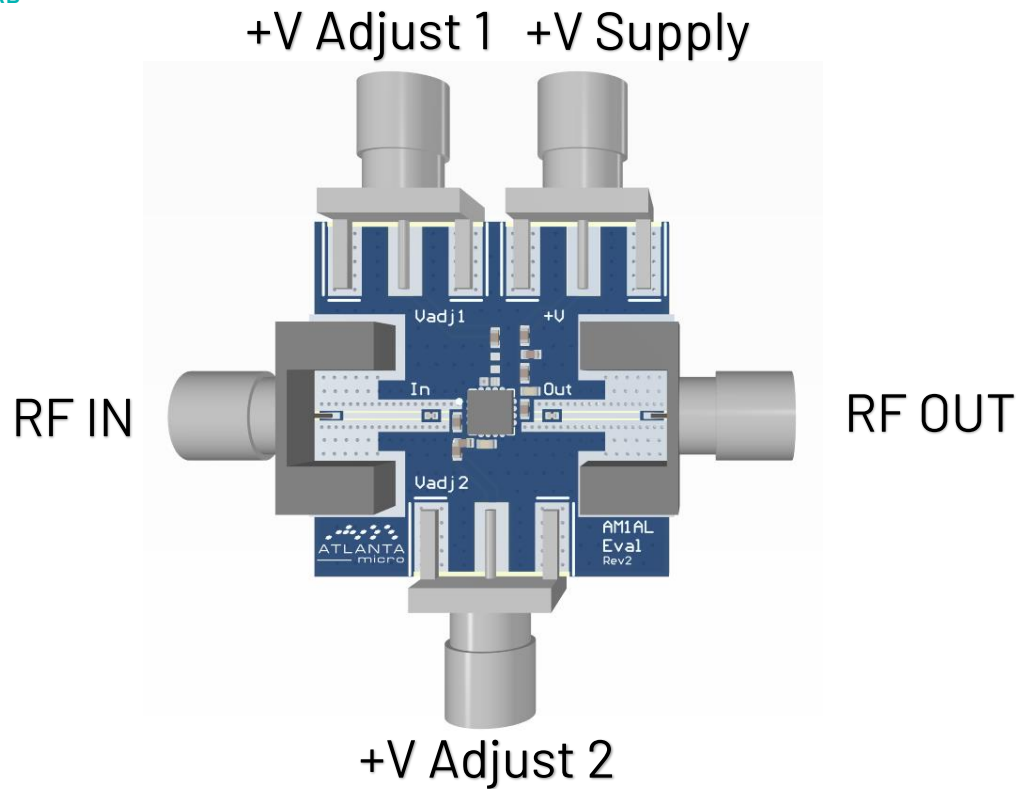
Notes:

1. NC pins may be grounded or left open.
2. External DC blocking capacitors and RF choke are required.
 - a. RF blocking capacitors should be high performance, low-loss, broadband capacitors for optimum performance.
 - b. Select values for the frequency range of interest.
3. No input or output matching is required.

PARTS ORDERING DETAILS

Description	Part Number
3mm 16 Lead QFN	AM1143
AM1143 Evaluation Board	AM1143 Eval
AM1143 in 0.95" x 1.13" x 0.6" RF-Shielded Module with Integrated Bias Tee and Field Replaceable SMA Connectors	AM1143-M

EVALUATION PC BOARD



RELATED PARTS

Part Number	Description	
AM1016B	20 MHz to 6 GHz	+3.3V Gain Block
AM1018B	20 MHz to 6 GHz	+5.0V Gain Block
AM1018C	20 MHz to 6 GHz	+5.0V Gain Block
AM1031C	20 MHz to 8 GHz	+3.3V Gain Block
AM1063-1	DC to 10 GHz	Gain Block
AM1063-2	DC to 10 GHz	Miniature Gain Block
AM1064-1	DC to 8 GHz	Gain Block
AM1064-2	DC to 8 GHz	Miniature Gain Block
AM1025B	20 MHz to 3 GHz	+8.0V Gain Block
AM1127	20 MHz to 6 GHz	+6.0V Gain Block

COMPONENT COMPLIANCE INFORMATION

RoHS: Mercury Systems, Inc. hereby certifies that all products comply with the EC Directive 2011/65/EC on the Restriction of Hazardous Substances, commonly known as EU-RoHS 6 and 10. All products supplied by Mercury shall be compliant with the European Directive 2011/65/EC based on the following substance list.

Substance List	Allowable Maximum Concentration
Lead (Pb)	<1000 PPM (0.1% by weight)
Mercury (Hg)	<1000 PPM (0.1% by weight)
Cadmium (Cd)	<75 PPM (0.0075% by weight)
Hexavalent Chromium (CrVI)	<1000 PPM (0.1% by weight)
Polybrominated Biphenyls (PBB)	<1000 PPM (0.1% by weight)
Polybrominated Diphenyl ethers (PBDE)	<1000 PPM (0.1% by weight)
Decabromodiphenyl Deca BDE	<1000 PPM (0.1% by weight)
Bis (2-ethylhexyl) Phthalate (DEHP)	<1000 PPM (0.1% by weight)
Butyl Benzyl Phthalate (BBP)	<1000 PPM (0.1% by weight)
Dibutyl Phthalate (DBP)	<1000 PPM (0.1% by weight)
Diisobutyl Phthalate (DIBP)	<1000 PPM (0.1% by weight)

REACH: Mercury Systems, Inc. neither uses nor intentionally adds any of the substances considered to be a Substance of Very High Concern (SVHC) as defined by the EU Regulation (EC) No. 1907-2006 on Registration, Evaluation, Authorization, and Restriction of Chemicals (REACH).

Conflict Materials: Mercury does not knowingly use materials that are sourced from the Democratic Republic of Congo (DRC) or any other known conflict regions. Mercury’s supply chain is comprised of sources that are both environmentally and socially responsible. We periodically review this requirement with our vendors to ensure continued compliance.

Mercury takes its responsibility as a global partner seriously and will use due diligence within our supply chain to ensure all standards are met to the best of our knowledge.



Corporate Headquarters

50 Minuteman Road
 Andover, MA 01810 USA
 +1 978.967.1401 tel
 +1 866.627.6951 tel
 +1 978.256.3599 fax

International Headquarters

Mercury International
 Avenue Eugène-Lance, 38
 PO Box 584
 CH-1212 Grand-Lancy 1
 Geneva, Switzerland
 +41 22 884 5100 tel

Learn more

Visit: mrcy.com
 For pricing details, contact: MMICsales@mrcy.com
 For technical details, contact: MMICsupport@mrcy.com



The Mercury Systems logo is a registered trademark of Mercury Systems, Inc. Other marks used herein may be trademarks or registered trademarks of their respective holders. Mercury products identified in this document conform with the specifications and standards described herein. Conformance to any such standards is based solely on Mercury’s internal processes and methods. The information contained in this document is subject to change at any time without notice.

