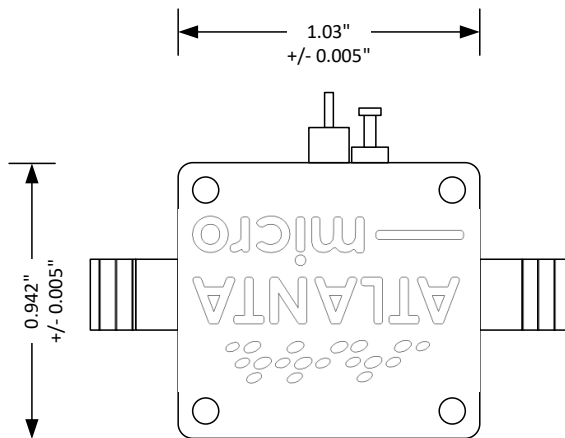


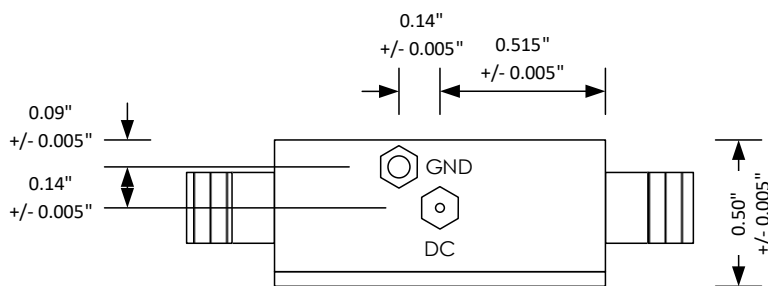
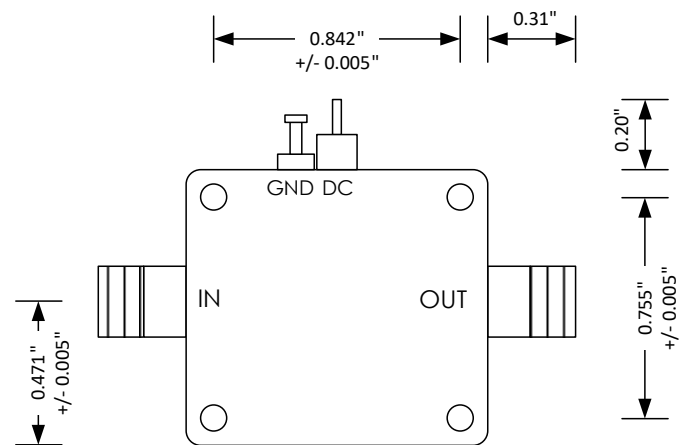
RF SHIELDED MODULE DETAILS



Top View



Bottom View



Back View

Notes:

1. All dimensions shown are in inches
2. Module material: Aluminum
3. Mounting Holes: 4-40 threaded from top side
4. RF I/O Interface: SMA 2.9 (K)
5. Power via metal turrets labeled "DC"

REVISION HISTORY

Date	Revision	Notes
April 8, 2020	1	Initial Release.
July 9, 2021	2	Module Dimensions Changed.
July 31, 2024	3	Changed to Mercury branding. No content changes.
May 22, 2026	4	Corrected Tolerances

For technical details, contact: MMICsupport@mrchy.com
For pricing details, contact: MMICsales@mrchy.com

The Mercury Systems logo is a registered trademark of Mercury Systems, Inc. Other marks used herein may be trademarks or registered trademarks of their respective holders. Mercury products identified in this document conform with the specifications and standards described herein. Conformance to any such standards is based solely on Mercury's internal processes and methods. The information contained in this document is subject to change at any time without notice.



© 2026 Mercury Systems, Inc. 4-0-2026-05-22-MD HP Amplifier – Dual VDD Amplifier