

# PSU-1449

## 3U OpenVPX Power Supply with BuiltSAFE®

Power and certify 3U mission computers up to DAL-A

- Built with COTS components
- Up to 220 W output, 5 output channels
- 16-60 V DC Input
- MIL-STD-704F, -40°C to 85°C
- Rugged and efficient
- Safety certifiable up to DAL-A with DO-254 artifacts



### TECHNICAL SPECIFICATIONS

#### Power Supply

28 V DC power supply

+12 V, +3.3 V, +5 V, +3.3 V AUX and -12V AUX

Efficiency: @Vin=28 V, Pout=220 W >85%

Built-in input filter to reduce conducted emissions

Connector pinout mapped to VITA 62 standard

ENABLE\* and INHIBIT\* signals according to VITA62 standard

#### Monitoring Features

FAIL\* signal if PCB goes over temperature

Two LEDs located on the ejector edge: 28 V input OK (green) and FAIL\* (red)

SM0/SM1 interface to access EEPROM, Elapsed time counter (ETC) and PCB temperature

#### BuiltSAFE® Proven Elements

DO-254 hardware

Design and information assurance

#### Mechanical

3U OpenVPX, 1.0" slot pitch, VITA 65

ANSI/VITA 62 modular power supply standard (1.0" pitch)

#### Rugged and Efficient

MIL-STD-704F

20 W typical power consumption

4.7 W minimum, 45 W maximum

Temperature:

Non-operating: -55°C to 105°C

Operating: -40°C to 85°C

Humidity: 95%

Fungus resistance

IPC-A-610 class 3 workmanship

IPC J-STD-001 class 3 soldering

IPC-A-600 class 3 PCB manufacturing

IPC-CC-830 conformal coating

REACH compliant, ROHS variant option

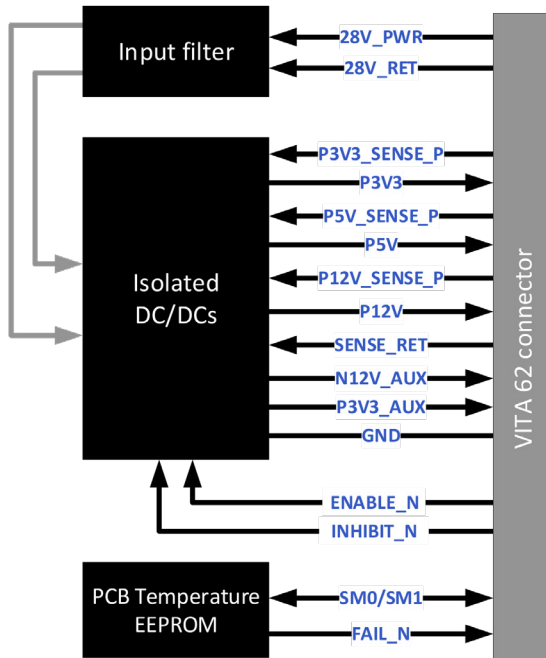
UL 94 Class V-0 flammability

EN 9100:2008

Conduction cooled

[Advanced rugged packaging options](#)

PSU-1449 Block Diagram



Corporate Headquarters

50 Minuteman Road  
 Andover, MA 01810 USA  
 +1 978.967.1401 tel  
 +1 866.627.6951 tel  
 +1 978.256.3599 fax

International Headquarters

**Mercury International**  
 Avenue Eugène-Lance, 38  
 PO Box 584  
 CH-1212 Grand-Lancy 1  
 Geneva, Switzerland  
 +41 22 884 51 00 tel

Learn more

Visit: [mrcy.com/contact-us](http://mrcy.com/contact-us)



The Mercury Systems logo and the following are trademarks or registered trademarks of Mercury Systems, Inc.: Mercury Systems, Innovation That Matters, and BuiltSECURE. Other marks used herein may be trademarks or registered trademarks of their respective holders. Mercury believes this information is accurate as of its publication date and is not responsible for any inadvertent errors. The information contained herein is subject to change without notice.