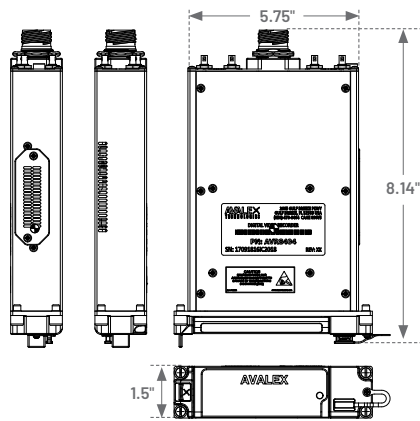


AVR8404

Cockpit Digital Video Recorder

Integrate, record, review and analyze HD and SD aircraft cockpit video

- Multi-channel HD and SD video and audio recording
- Ethernet, CANbus, RS-232 or RS-422, discretes
- USB, SD, SSD removable memory, 54 GB internal memory
- Creates overlay status bars for integrated display
- Software to review, analyze and process video
- Rugged, DO-160 and MIL-STD-810G



Easily expand and customize mission capabilities

- Multi-channel video and audio recording
- High definition (HD) and standard definition (SD)
- Ethernet, CANbus, RS-232 or RS-422, discretes
- USB, SD, SSD removable memory, 54 GB internal memory
- Built to perform in mobile platforms in the air and on the ground; DO-160F and MIL-STD-810G qualified
- Advanced features provide numerous user-configurable capabilities to support demanding end-user requirements
- Great choice for platform integrators requiring a flexible recording solution that can be integrated with other technology to provide remote control or autonomous operations
- With Mission Replay Software (AMRS), handle large amounts of video and data efficiently
- Ideal choice for enabling multi-role aircraft fleets and simplifying logistics

CONTACT US



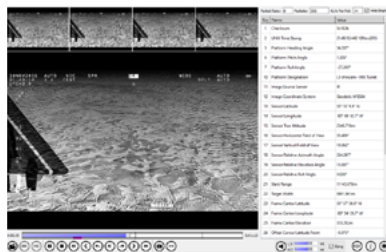
DVR On-Screen Display (OSD) Video Overlays

The DVR generates multiple horizontal status bars as on-screen overlays. These include a main status bar at the bottom of the display, a recording status bar for each record channel and a playback status bar.



DVR Client

The AVR8404 can be configured and controlled through an Ethernet Transmission Control Protocol/Internet Protocol (TCP/IP) connection using the DVR Client application.



Included with the AVR8404, the Mission Replay software provides users with tools to review, analyze and process critical information with ease.

- Video snapshot
- Export video clips
- Thumbnail previews
- Mute/unmute markers
- Event markers
- Volume control and muting
- Sensor point-of-interest (SPOI)
- Platform KLV playback
- Time synchronized
- Multi-video playback

SPECIFICATIONS

Data I/O

Discrete	3 in/1 out
Ethernet (10/100Mbps)	1 port
RS-232 or RS-422	1 port
CAN Bus	1 port

Video I/O

CVBS	4 in/1 out
SDI	2 in/1 out
Video Resolution Supported	1080i @ 25, 29.97, 30 fps 1080p @ 25, 29.97, 30, 50, 59.94, 60 fps 720p @ 25, 29.97, 30, 50, 59.94, 60 fps NTSC: 720 x 480 PAL: 720 x 576
Metadata	KLV STANAG 4609/MISB

Technical

Height	1.5" (38.1 mm)
Width	5.75" (146.1 mm)
Depth	8.14" (206.8 mm)
Weight	1.4 lb (0.635 kg)
Operating Temperature	-45°C to +71°C
Storage Temperature	-55°C to +85°C
Power Input	28 VDC
Removable Storage	SATA, SD card, USB
Internal Storage	54GB

Qualifications

DO-160F, MIL-STD-810G

Contact

mission@rcy.com
+1 850.470.8464 tel
rcy.com/contactus

Learn more

rcy.com/dvr



© 2022 Mercury Systems, Inc. The Mercury Systems logo and the following are trademarks or registered trademarks of Mercury Systems, Inc.: Mercury Systems, Innovation That Matters, and BuiltSECURE. Other marks used herein may be trademarks or registered trademarks of their respective holders. Mercury believes this information is accurate as of its publication date and is not responsible for any inadvertent errors. The information contained herein is subject to change without notice.
8119.00E-0422-ds-GulfBreeze-AVR_8404