

Jade 71865

2-channel 200 MHz 16-bit A/D channelizer,
762 narrowband DDCs, 4 wideband DDCs
XMC module with Kintex UltraScale FPGA

Complete radar and software radio interface solution

- Radar and software radio receiver
- Communications receiver
- Analog signal interface for data recording
- Wideband data acquisition
- Remote monitoring
- Sensor interfaces



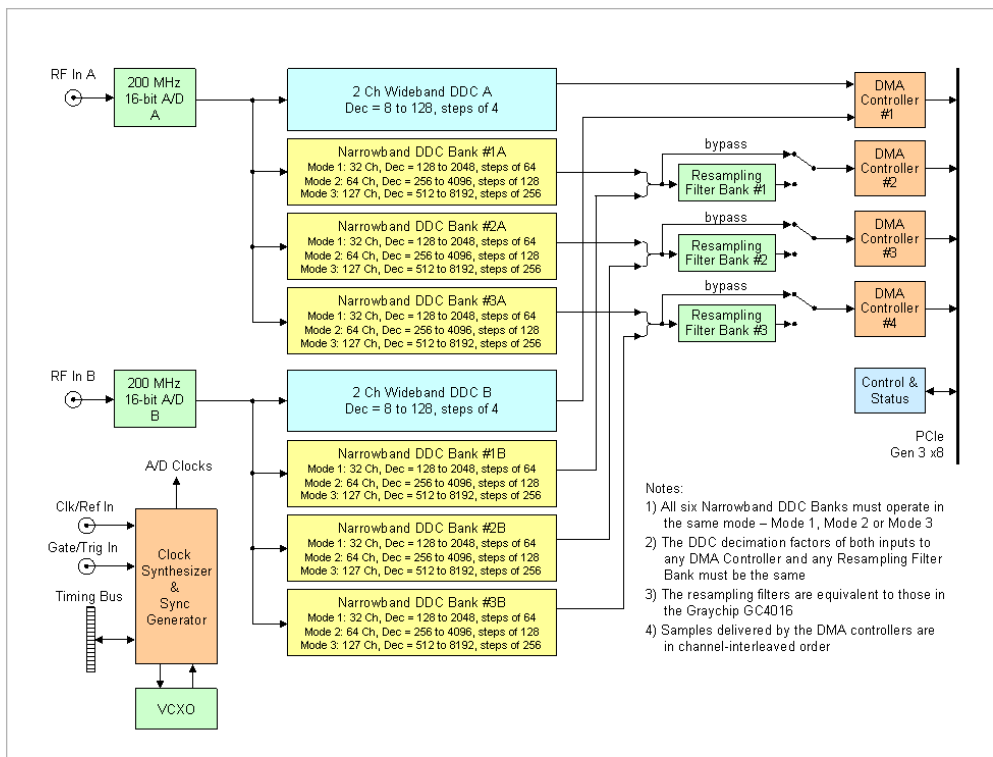
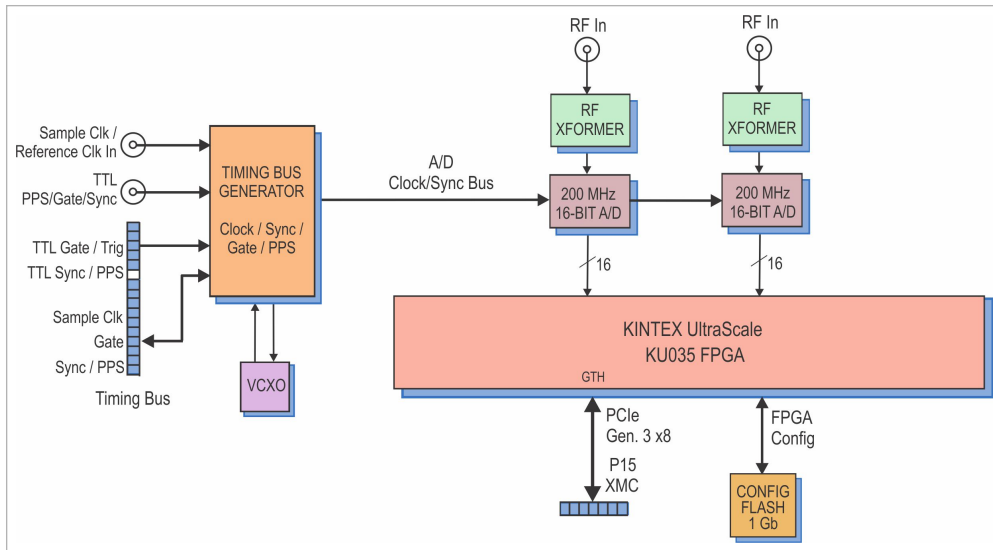
The Jade® 71865 is a two-channel data converter with a total of 766 programmable DDCs (digital downconverters). It is suitable for connection to HF or IF ports of a communications or radar system. Its built-in data capture feature offers an ideal turnkey solution for extremely high-channel-count systems.

It includes two A/Ds, a complete multiboard clock and sync section, eight banks of channelizer-based DDCs and resampling filters. The PCIe Gen.3 x8 interface is capable of sustained data transfers to system memory of over 6 GB/sec.

FEATURES

- Uses Xilinx® Kintex® UltraScale KU035 FPGA
- Two 200 MHz 16-bit A/Ds
- Four wideband DDCs (digital downconverters)
- Up to 762 narrowband DDCs
- Sample clock generation and synchronization to an external system reference
- PCI Express interface (Gen. 1, 2 & 3) up to x8
- XMC Interface compatible with switched-fabric interfaces
- Ruggedized and conduction-cooled versions
- Navigator Design Suite for software and custom IP development

71865 BLOCK DIAGRAM



THE JADE ARCHITECTURE

Evolved from the proven designs of Mercury's Cobalt[®] and Onyx[®] families, Jade[®] raises the processing performance while lowering the overall power requirements by building on the Xilinx family of Kintex UltraScale FPGAs. As the central feature of the board architecture, the FPGA has access to all data and control paths, enabling factory-installed functions as well as providing an ideal platform for user-created intellectual property (IP).

Each member of the Jade family is delivered with factory-installed applications ideally matched to the board's analog interfaces. The 71865 factory-installed functions include two A/D acquisition IP modules for simplifying data capture and transfer.

Each acquisition IP module contains a powerful, programmable DDC IP core and a controller for all data clocking, triggering, and synchronization functions.

From each of the two acquisition modules, A/D sample data flows into identical IP modules consisting of banks of wideband and narrowband DDCs. Finally, data is delivered to four DMA controllers and then to the PCIe Gen. 3 x8 interface.

These complete the factory-installed functions and enable the 71865 to operate as a complete turnkey solution for many applications, thereby saving the cost and time of custom IP development.

XILINX KINTEX ULTRASCALE FPGA

The Kintex UltraScale KU035 FPGA handles all of the control, timing, data formatting, and DSP operations for the channelized DDCs and is highly optimized to maximize resource utilization and reduce power dissipation. Because of its extremely advanced FPGA design, no Navigator FDK is offered for the 71865 for customers to modify the FPGA IP.

A/D CONVERTERS

The board's analog interface accepts two analog HF or IF inputs on front panel SSMC connectors with transformer-coupling into two Texas Instruments ADS5485 200 MHz, 16-bit A/D converters. The digital outputs are delivered into the Kintex UltraScale FPGA for signal-processing or routing to other module resources.

A/D ACQUISITION IP MODULES

The 71865 features two A/D Acquisition IP Modules for easily capturing and moving data.

Each IP module has an associated DMA engine for easily moving DDC data through the PCIe interface. These powerful linked-list DMA engines are capable of a unique Acquisition Gate Driven mode. In this mode, the length of a transfer performed by a link definition need not be known prior to data acquisition; rather, it is governed by the length of the acquisition gate.

For each transfer, the DMA engine can automatically construct metadata packets containing A/D channel ID, a sample-accurate time stamp and data length information. These actions simplify the host processor's job of identifying and executing on the data.

DDC RESOURCES

Samples from the two A/D converters flow into two identical blocks, each containing one bank of two wideband DDCs and three banks of narrowband DDCs, as shown in the block diagram below.

Wideband DDCs

The four wideband DDCs can be set for decimation values between 8 and 128 in steps of 4, providing usable output bandwidths from 1.25 MHz to 20 MHz for a sample rate, f_s , of 200 MHz. Because all four wideband DDCs within the 71865 feed the same DMA controller #1, all wideband DDCs must use the same decimation factor.

Each DDC delivers an output stream consisting of 16-bit I + 16-bit Q complex samples at a rate of f_s/N . Four samples, one from each of the wideband DDCs, are interleaved in the output stream. All four wideband DDCs can be independently tuned across the range from 0 Hz to f_s with 32 bits of resolution.

Narrowband DDCs

Each of the six narrowband DDC banks can be configured to operate in three different modes, where each mode provides a different quantity of DDC channels and range of decimations.

These modes are summarized in the following table:

Mode	Channels	Dec Range	Steps
1	32	128 - 2048	64
2	64	256 - 4096	128
3	127	512 - 8192	256

All six narrowband DDC banks must operate in the same mode.

The 80% default filters deliver an output bandwidth of $0.8 * f_s/N$, where N is the decimation setting. The rejection of adjacent-

band components within the 80% output bandwidth is better than 100 dB.

Each DDC delivers an output stream at a rate of f_s/N , and is programmable for either 16-bit I + 16-bit Q, or 24-bit I + 24-bit Q complex samples.

Because each pair of narrowband DDC banks feed a common DMA controller, the decimation setting for each DDC must be the same. Nevertheless, each pair can have a different decimation setting from the other pairs.

RESAMPLING FILTERS

Three multiplexers allow outputs from each of the three narrowband DDC pairs to feed the associated DMA controller or feed the input of a resampling filter.

Each of the three resampling filters is an FIR low-pass filter that accepts DDC input samples at one sample rate and delivers output samples at another rate. Resampling filters are often used for better symbol recovery of signals using digital modulation schemes. The output rate is usually higher to create oversampling at a multiple of 2x, 4x, 8x, or 16x the symbol rate.

The resampling filter combines the operations of an FIR interpolation filter followed by a decimator. The overall resampling ratio is equal to the interpolation factor divided by the decimation factor, both of which are programmable parameters.

Note that each of the three resampling filters can be programmed independently. Some limitations on the DDC output data rates and subsequent resampling ratios may be imposed because of maximum PCIe transfer rates.

CLOCKING AND SYNCHRONIZATION

An internal timing bus provides all timing and synchronization required by the A/D converters. It includes a clock, two sync and two gate or trigger signals. An on-board clock generator receives an external sample clock from the front panel SSMC connector. This clock can be used directly by the A/D or divided by a built-in clock synthesizer circuit.

In an alternate mode, the sample clock can be sourced from an on-board programmable voltage-controlled crystal oscillator. In this mode, the front-panel SSMC connector can be used to provide a 10 MHz reference clock for synchronizing the internal oscillator.

A front panel 26-pin LVPECL Clock/Sync connector allows multiple modules to be synchronized. In the slave mode, it accepts LVPECL inputs that drive the clock, sync and gate signals. In the master mode, the LVPECL bus can drive the timing signals for synchronizing multiple modules.

PCI EXPRESS INTERFACE

The 71865 includes an industry standard interface fully compliant with PCI Express Gen. 1, 2, and 3 bus specifications. Supporting PCIe links up to x8, the interface includes multiple DMA controllers for efficient transfers to and from the module.

XMC INTERFACE

The 71865 complies with the VITA 42.0 XMC specification. The XMC connector provides a single PCIe Gen.3 x8 interface.

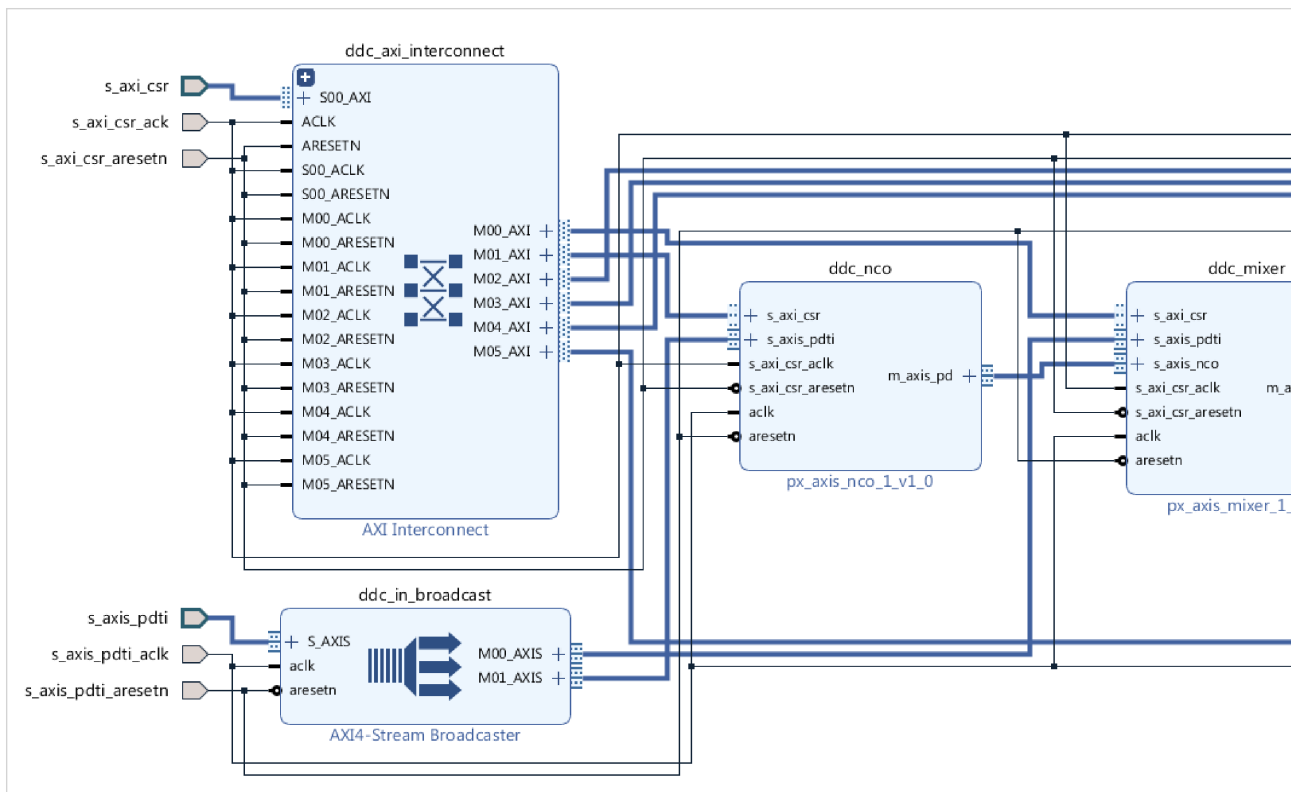
NAVIGATOR DESIGN SUITE

For applications that require specialized functions, the Navigator Design Suite allows customers to fully utilize the processing power of the FPGA. It includes an FPGA design kit for integrating custom IP into the factory-shipped design, and a board support package for creating host applications for control of all hardware and FPGA IP-based functions.

The **Navigator FPGA Design Kit (FDK)** for the Xilinx® Vivado® Design Suite includes the complete Vivado project folder for each Jade product with all design files for the factory-installed FPGA IP. Vivado’s IP Integrator is a graphical design entry tool that visually presents the complete block diagram of all IP blocks so the developer can access every component of the Jade design. Developers can quickly import, delete, and modify IP blocks and change interconnection paths using simple mouse operations.

Navigator FDK includes an IP core library of more than 100 functions representing a wealth of resources for DSP, data formatting, timing, and streaming operations, all based on the powerful AXI4 standard. Multilevel documentation for each IP core is a mouse click away, and fully consistent with Xilinx IP cores.

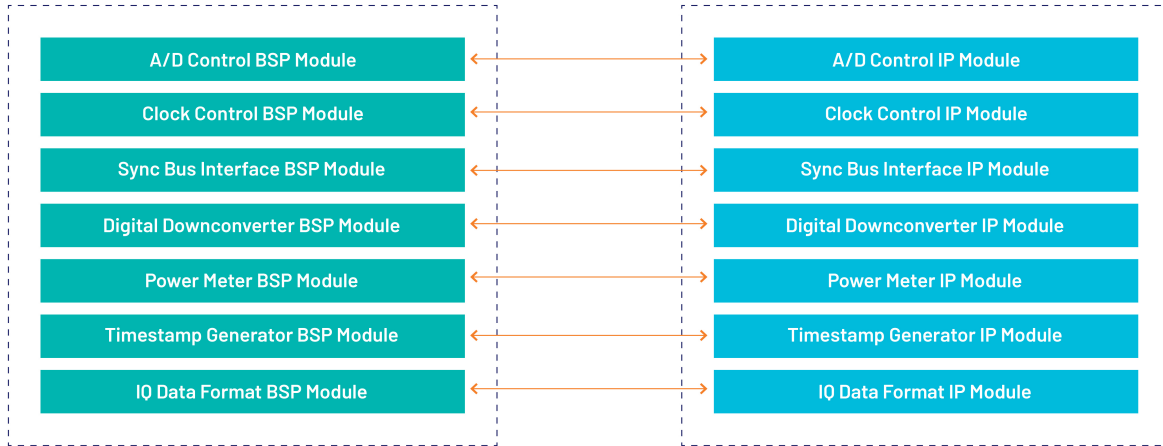
The **Navigator Board Support Package (BSP)** provides software support for Jade boards. It enables operational control of all hardware functions on the board and IP functions in the FPGA. The BSP structure is designed to complement the functions of the FDK by maintaining a one-to-one relationship between FDK and BSP components. For each IP block found in the FDK library, a matching software module can be found in the BSP. This organization simplifies the creation and editing of software to support new IP functions and modifications to existing IP cores.



Navigator IP FPGA Design viewed in IP Integrator

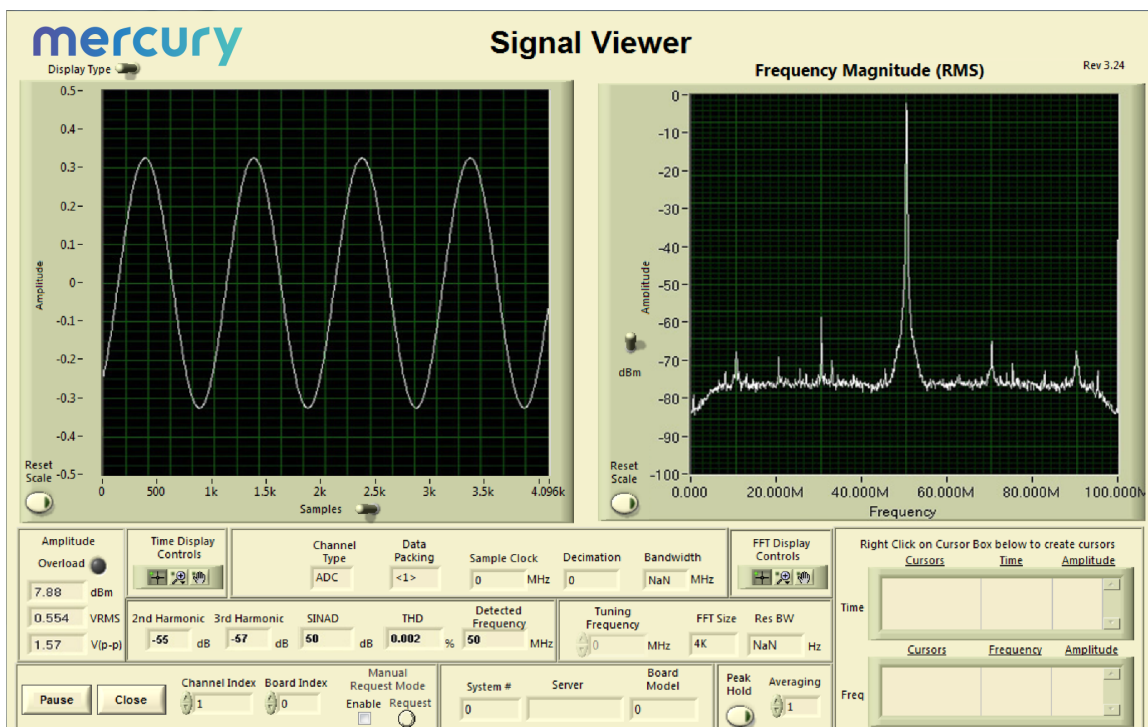
NAVIGATOR BOARD SUPPORT PACKAGE

NAVIGATOR FPGA DESIGN KIT



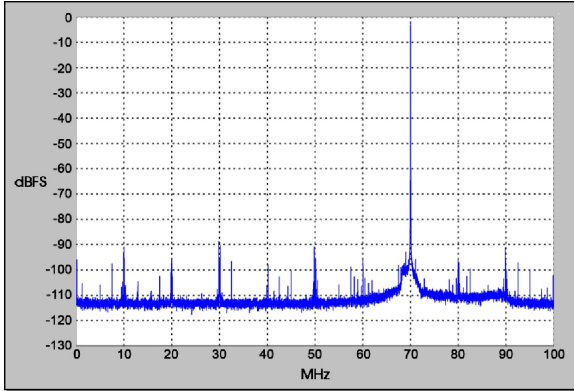
Because all Jade boards are shipped with a full suite of built-in IP functions and numerous software examples, new applications can be developed by building on the provided software examples or built entirely new with the BSP extensive libraries. All BSP libraries are provided as C-language source for full access and code transparency.

The Navigator BSP includes the **Signal Viewer**, a full-featured analysis tool, that displays data in time and frequency domains. Built-in measurement functions display 2nd and 3rd harmonics, THD (total harmonic distortion), and SINAD (signal to noise and distortion). Interactive cursors allow users to mark data points and instantly calculate amplitude and frequency of displayed signals. With the Signal Viewer users can install the Jade board and Navigator BSP and start viewing analog signals immediately.



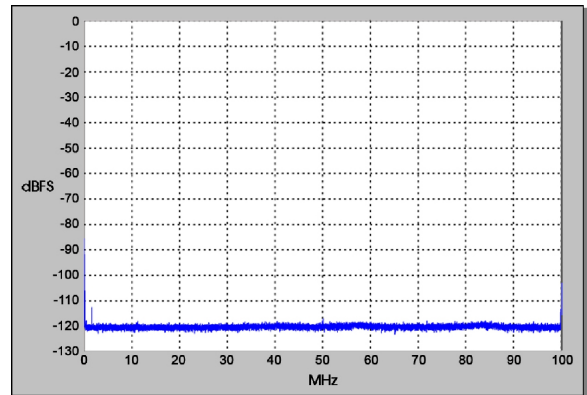
A/D PERFORMANCE

Spurious Free Dynamic Range



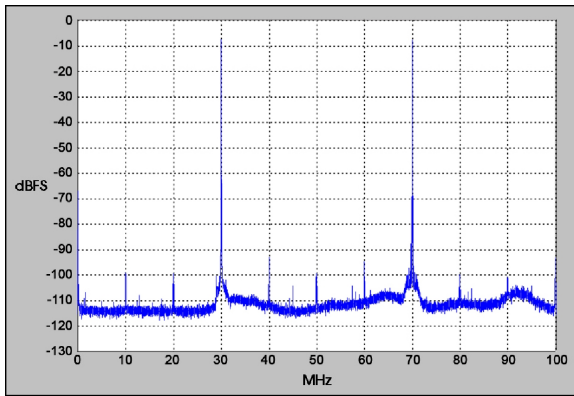
$f_{in} = 70 \text{ MHz}$, $f_s = 200 \text{ MHz}$, Internal Clock

Spurious Pick-up



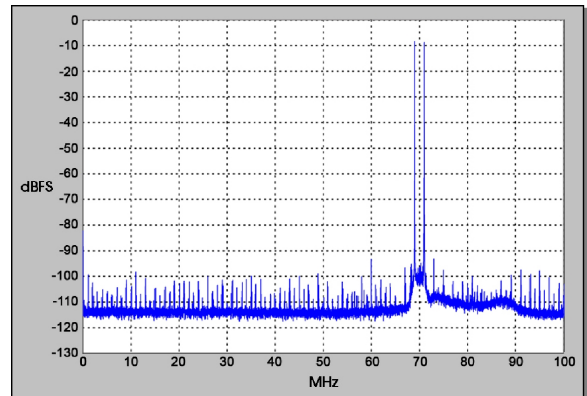
$f_s = 200 \text{ MHz}$, Internal Clock

Two-Tone SFDR



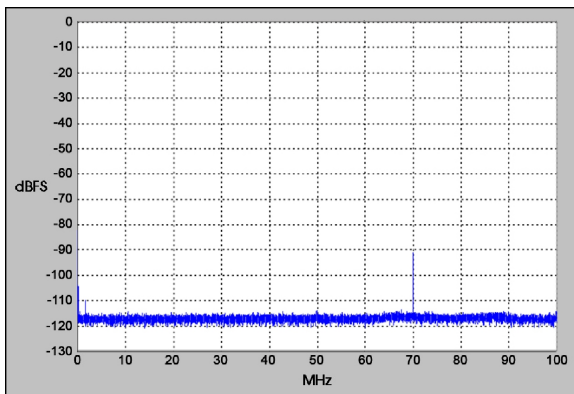
$f_1 = 30 \text{ MHz}$, $f_2 = 70 \text{ MHz}$, $f_s = 200 \text{ MHz}$

Two-Tone SFDR



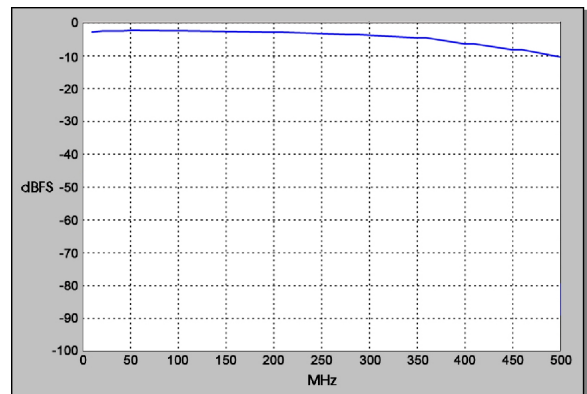
$f_1 = 69 \text{ MHz}$, $f_2 = 71 \text{ MHz}$, $f_s = 200 \text{ MHz}$

Adjacent Channel Crosstalk



$f_{in} \text{ Ch2} = 70 \text{ MHz}$, $f_s = 200 \text{ MHz}$, Ch 1 shown

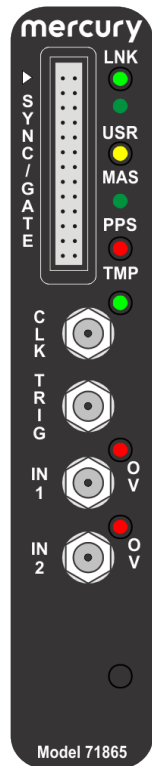
Input Frequency Response



$f_s = 200 \text{ MHz}$, Internal Clock

FRONT PANEL CONNECTIONS

The front panel includes four SSMC coaxial connectors for clock, trigger, and analog input signals, and a 26-pin Sync Bus input/output connector. The front panel also includes eight LED indicators.



- **Sync Bus Connector:** The 26-pin μ Sync front panel connector, labeled **SYNC/GATE**, provides clock, sync, and gate input/output pins for the Low-Voltage Positive Emitter-Coupled Logic (LVPECL) Sync Bus.
- **Link LED:** The green **LNK** LED indicates the link speed when a valid link has been established over the PCIe interface, as follows: Gen 1 - LED blinks slowly (less than once per second); Gen 2 - LED blinks about once per second; Gen 3 - LED will be constantly on.
- **User LED:** The green **USR** LED is for user applications.
- **Master LED:** The yellow **MAS** LED illuminates when this 71865 is the Sync Bus Master. When only a single 71865 is used, it must be a Master.
- **PPS LED:** The green **PPS** LED illuminates when a valid PPS signal is detected. The LED will blink at the rate of the PPS signal.
- **Over Temperature LED:** The red **TMP** LED illuminates when an over-temperature or over-voltage condition is indicated by any of the temperature/voltage sensors on the 71865 PCB.
- **Clock LED:** The green **CLK** LED illuminates when a valid sample clock signal is detected. If the LED is not illuminated, no clock has been detected and no data from the input stream can be processed.
- **Clock Input Connector:** One SSMC coaxial connector, labeled **CLK**, for input of an external sample clock.
- **Trigger Input Connector:** One SSMC coaxial connector, labeled **TRIG**, for input of an external trigger.
- **Analog Input Connectors:** Two SSMC coaxial connectors, labeled **IN 1** and **IN 2**: one for each ADS5485 A/D converter.
- **DAC Underrun LED:** One red underrun **UR** LED for the D/A output. This LED illuminates when the DAC5688 FIFO is out of data.

- **ADC Overload LEDs:** There are two red **OV** (overload) LEDs: one for each A/D input. Each LED indicates either an overload in the associated ADS5485 or an ADC FIFO overrun.

SPECIFICATIONS

Front Panel Analog Signal Inputs

Input Type: Transformer-coupled, front panel female SSMC connectors

Transformer Type: Coil Craft WBC4-6TLB

Full Scale Input: +8 dBm into 50 ohms

3 dB Passband: 300 kHz to 700 MHz

A/D Converters

Type: Texas Instruments ADS5485

Sampling Rate: 10 MHz to 200 GHz

Resolution: 16 bits

Wideband Digital Downconverters

Quantity: Four

Decimation Range: 8 to 128 in steps of 4, common to all four DDCs

LO Tuning Freq. Resolution: 32 bits, 0 to f_s

LO SFDR: >120 dB

Phase Offset Resolution: 32 bits, 0 to 360 degrees

FIR Filter: 24-bit coefficients, 24-bit output

FIR Filter Performance: 80% bandwidth <0.3 dB passband ripple, >100 dB stopband attenuation

Narrowband Digital Downconverters

Quantity: Six banks

DDC Bank Modes:

- Mode 1: 32 DDCs, Dec = 128 to 2048, in steps of 64

- Mode 2: 64 DDCs, Dec = 256 to 4096, steps of 128

- Mode 3: 127 DDCs, Dec = 512 to 8192, steps of 256

LO Tuning Freq. Resolution: 32 bits, 0 to f_s , with independent tuning for each channel

LO SFDR: >120 dB

Default Filter Set: 80% bandwidth, <0.3 dB passband ripple, >100 dB stopband attenuation

Sample Clock Source

On-board clock synthesizer

Clock Synthesizer

Clock Source: Selectable from on-board programmable VCXO (10 to 810 MHz), front panel external clock or LVPECL timing bus

Synchronization: VCXO can be locked to an external 4 to 180 MHz PLL system reference, typically 10 MHz

Clock Dividers: External clock or VCXO can be divided by 1, 2, 3, 4, 6, 8, or 16 for the A/D clock

External Clock

Type: Front panel female SSMC connector, sine wave, 0 to +10 dBm, AC-coupled, 50 ohms, accepts 10 to 800 MHz divider input clock or PLL system reference

Timing Bus

26-pin connector LVPECL bus includes, clock/sync/gate/PPS inputs and outputs; TTL signal for gate/trigger and sync/PPS inputs

External Trigger Input

Type: Front panel female SSMC connector, LVTTTL

Function: Programmable functions include: trigger, gate, sync and PPS

Field Programmable Gate Array

Standard: Xilinx Kintex UltraScale XCKU035-2

PCI-Express Interface

PCI Express Bus: Gen. 1, 2 or 3: x4 or x8

Environmental

Standard: L0 (air-cooled)

- Operating Temp: 0° to 50° C
- Storage Temp: -20° to 90° C
- Relative Humidity: 0 to 95%, non-condensing

Option -702: L2 (air-cooled)

- Operating Temp: -20° to 65° C
- Storage Temp: -40° to 100° C
- Relative Humidity: 0 to 95%, non-condensing

Option -713: L3 (conduction-cooled)

- Operating Temp: -40° to 70° C
- Storage Temp: -50° to 100° C
- Relative Humidity: 0 to 95%, non-condensing

Physical

Dimensions: Single XMC module

- Depth: 149.0 mm (5.87 in)
- Height: 74 mm (2.91 in)

Weight: Approximately 14 oz (400 grams)

ORDERING INFORMATION

Model	Description
71865	2-channel 200 MHz A/D with 4 WB DDCs, 762 NB DDCs, Kintex UltraScale FPGA - XMC

Options:

-702	Air-cooled, Level 2
-713	Conduction-cooled, Level 3

Contact Mercury for compatible option combinations and complete specifications of rugged and conduction-cooled versions. Options may change, so be sure to contact Mercury for the latest information.

ACCESSORY PRODUCTS

Model	Description
2171	Cable Kit: SSMC to SMA

DEVELOPMENT SYSTEMS

Mercury offers development systems for Jade products. They come with all pre-tested software and hardware ready for immediate operation. These systems are intended to save engineers and system integrators the time and expense associated with building and testing a development system that ensures optimum performance of Jade boards. Please [contact Mercury](#) to configure a system that matches your requirements.

FORM FACTORS

Jade products are available in standard form factors including 3U VPX, 6U VPX, PCIe, and XMC. The Jade Model 71865 XMC (4-Channel 200 MHz A/D with 766 DDCs, Kintex UltraScale FPGA) has the following variants:

Model	
52865	3U VPX board (single XMC)
57865	6U VPX board (single XMC)
58865	6U VPX board (dual XMC)
71865	XMC module
78865	PCIe board (single XMC)

LIFETIME SUPPORT FOR JADE PRODUCTS

Mercury offers worldwide customers shorter development time, reliable, rugged solutions for a variety of environments, reduced costs, and mature software development tools. We offer free lifetime support from our engineering staff, which customers can depend on through phone and email, as well as software updates. Take advantage of our 40 years of experience in delivering high-performance radar, communications, SIGINT, EW, and data acquisition MIL-Aero solutions worldwide.



Corporate Headquarters

50 Minuteman Road
 Andover, MA 01810 USA
+1 978.967.1401 tel
+1 866.627.6951 tel
+1 978.256.3599 fax

International Headquarters

Mercury International
 Avenue Eugène-Lance, 38
 PO Box 584
 CH-1212 Grand-Lancy 1
 Geneva, Switzerland
+41 22 884 5100 tel

Learn more

Visit: mrcy.com/go/MP71865

For technical details, contact:
mrcy.com/go/CF71865



The Mercury Systems logo and the following are trademarks or registered trademarks of Mercury Systems, Inc.: Mercury Systems, Innovation That Matters, Jade and Navigator. Other marks used herein may be trademarks or registered trademarks of their respective holders. Mercury believes this information is accurate as of its publication date and is not responsible for any inadvertent errors. The information contained herein is subject to change without notice.

