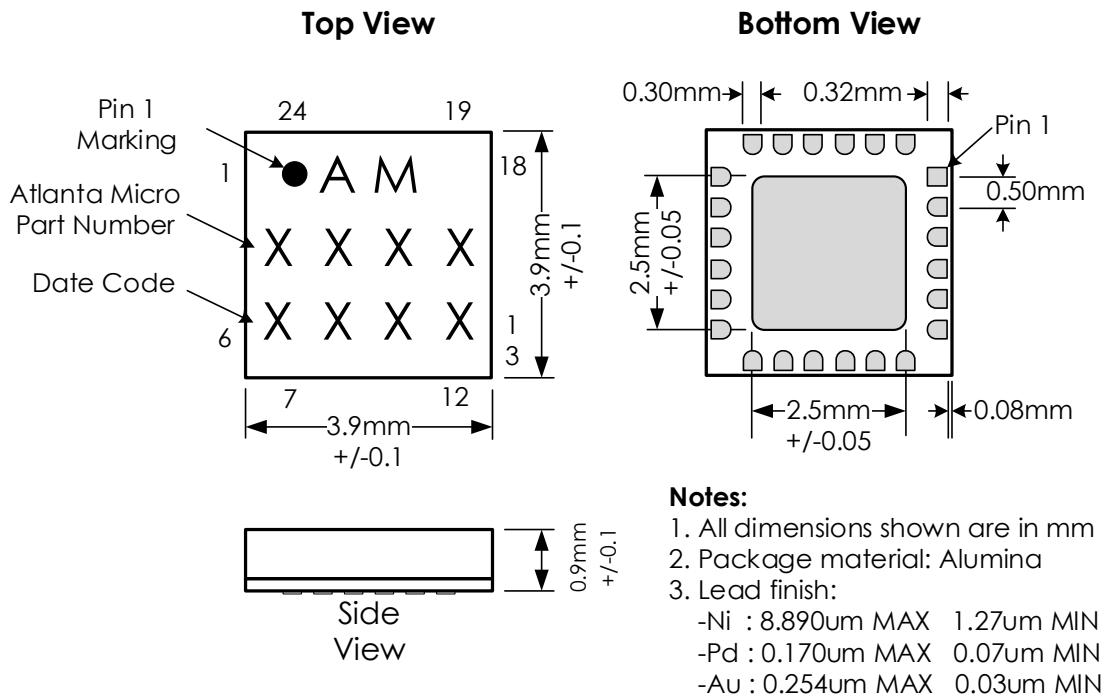


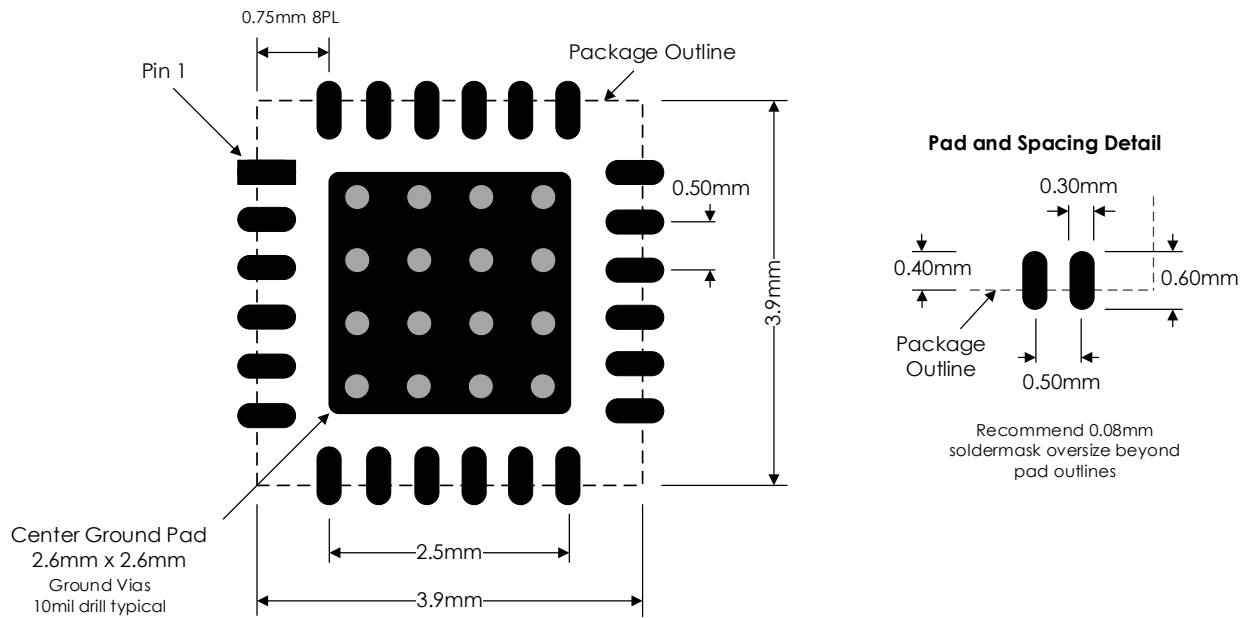
PACKAGE DETAILS

CQFN50P390x390x090-24 - Ceramic 4mm 24 Lead QFN

PACKAGE DRAWING



RECOMMENDED FOOTPRINT



PACKAGE DETAILS

CQFN50P390x390x090-24 - Ceramic 4mm 24 Lead QFN



PACKAGE NAMING CONVENTION*

Name Segment	Meaning
CQFN	Ceramic Quad Flat No-Lead
50	Pitch = 0.50 mm
390	Body Width = 3.90mm
390	Body Length = 3.90mm
090	Height = 0.90 mm
24	Pin Quantity

*Based on the IPC-7351B naming convention.

REVISION HISTORY

Date	Revision	Notes
April 8, 2020	1	Initial Release
August 15, 2024	2	Changed to Mercury branding. No content changes.

For technical details, contact: MMICsupport@mrcy.com

For pricing details, contact: MMICsales@mrcy.com

The Mercury Systems logo is a registered trademark of Mercury Systems, Inc. Other marks used herein may be trademarks or registered trademarks of their respective holders. Mercury products identified in this document conform with the specifications and standards described herein. Conformance to any such standards is based solely on Mercury's internal processes and methods. The information contained in this document is subject to change at any time without notice.



© 2024 Mercury Systems, Inc. 2-0-2024-08-15-PD-CQFN50P390x390x090-24