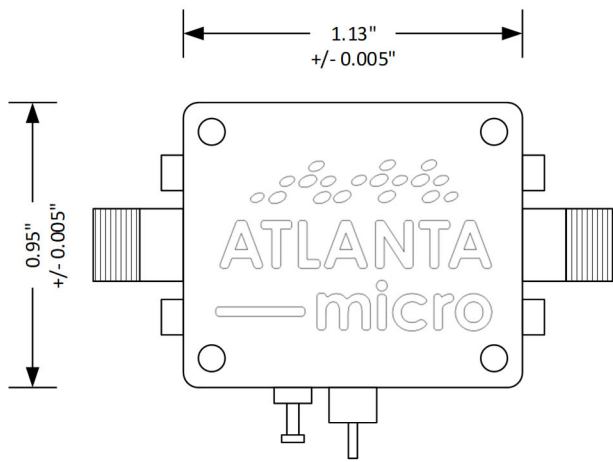


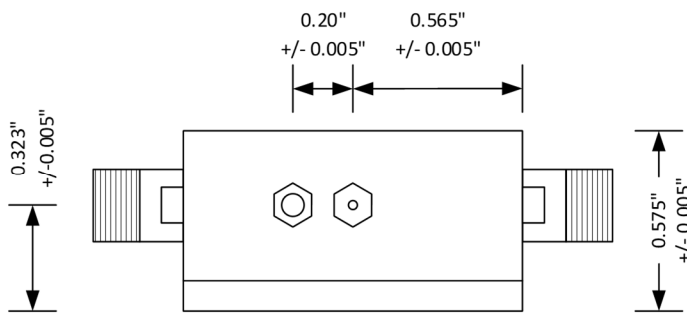
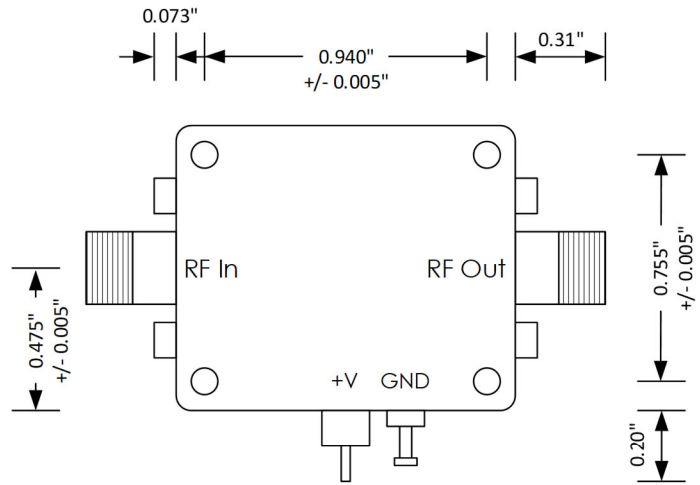
RF SHIELDED MODULE DETAILS



Top View



Bottom View



Front View

Notes:

1. All dimensions shown are in inches
2. Module material: Aluminum
3. Mounting Holes: 4-40 threaded on top side, holes fully threaded
4. RF I/O Interface: SMA
5. Power via metal turrets

REVISION HISTORY

Date	Revision	Notes
April 8, 2020	1	Initial Release
October 2, 2023	2	Tolerance updated. SMA screws shown.
April 8, 2024	3	Added missing dimension. Module height modified to reflect latest revisions. Note about thread depth added.
July 18, 2024	4	Changed to Mercury branding. No content changes.

For technical details, contact: MMICsupport@rcy.com

For pricing details, contact: MMICsales@rcy.com

The Mercury Systems logo is a registered trademark of Mercury Systems, Inc. Other marks used herein may be trademarks or registered trademarks of their respective holders. Mercury products identified in this document conform with the specifications and standards described herein. Conformance to any such standards is based solely on Mercury's internal processes and methods. The information contained in this document is subject to change at any time without notice.



© 2024 Mercury Systems, Inc. 4-0-2024-07-18-MD Standard-Amplifier