

AM1085 – Amplifier

DC to 6 GHz Gain Block

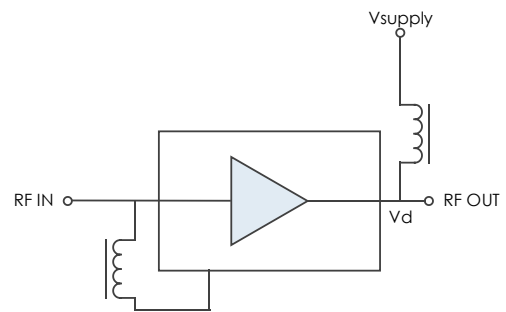


The AM1085 is a DC-coupled amplifier covering up to 6 GHz. The device exhibits a moderate positive gain slope, providing frequency equalization useful in many broadband applications. With internal 50Ω matching and packaged in a 3mm QFN, 1.3mm x 2mm DFN, or a shielded module, the AM1085 represents a compact total PCB footprint.

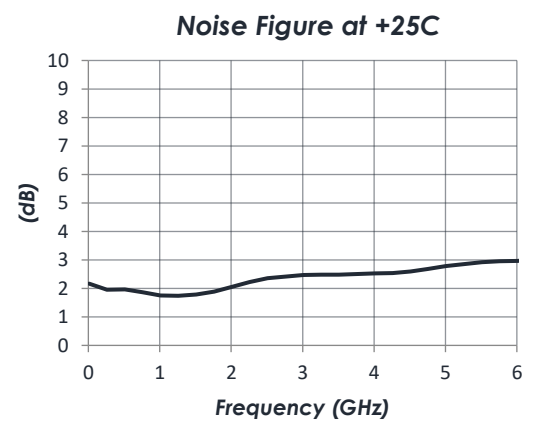
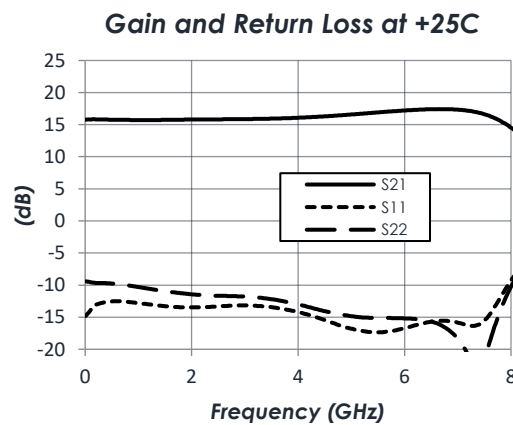
FEATURES

- 16 dB Gain
- 2.3 dB Noise Figure
- +35 dBm OIP3
- +20 dBm P1dB
- +5.0V Operation
- 3mm QFN
- -40C to +85C Operation

FUNCTIONAL DIAGRAM



CHARACTERISTIC PERFORMANCE



CONTENTS

FEATURES 1

FUNCTIONAL DIAGRAM 1

CHARACTERISTIC PERFORMANCE 1

REVISION HISTORY..... 2

PIN LAYOUT AND DEFINITIONS 3

SPECIFICATIONS..... 5

TYPICAL PERFORMANCE 7

TYPICAL APPLICATION..... 9

EVALUATION PC BOARD..... 10

PART ORDERING DETAILS 10

RELATED PARTS 10

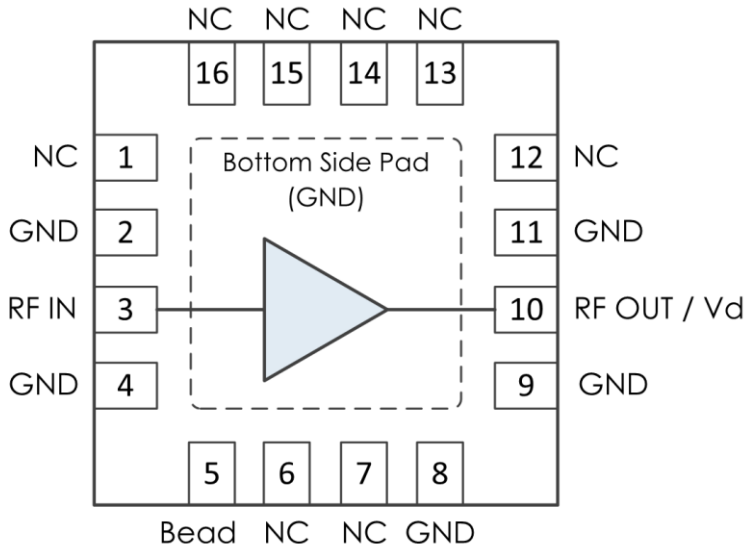
COMPONENT COMPLIANCE INFORMATION 11

REVISION HISTORY

Date	Revision	Notes
July 23, 2019	1	Initial Release
November 26, 2019	1A	Updated Description to include shielded module packaging
November 11, 2020	2	Package and Module information moved to main product page on website.
November 7, 2024	3	Changed to Mercury branding. No content changes.

PIN LAYOUT AND DEFINITIONS

AM1085-1: 3mm QFN

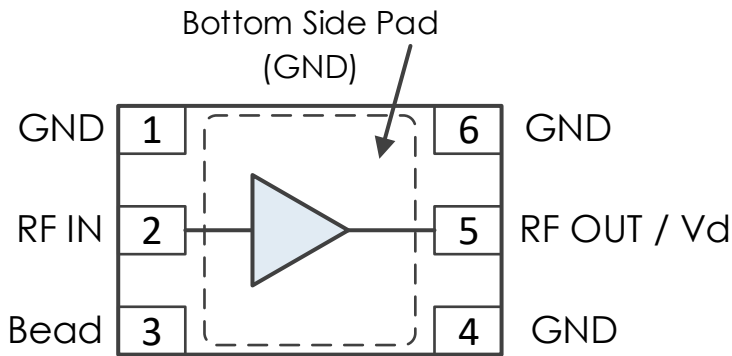


Pin	Name	Function
1	NC	Not Connected *
2	GND	Ground - Common
3	RF IN	RF Input - 50 ohms - DC Coupled, External DC Block Required
4	GND	Ground - Common
5	Bead	Connect to RF In through external ferrite bead or large inductor
6, 7	NC	Not Connected *
8, 9	GND	Ground - Common
10	RF Out / Vd	RF Output and DC Power Input - 50 Ohms - DC Coupled. External DC Blocking Capacitor Required
11	GND	Ground - Common
12-16	NC	Not Connected *

* NC pins may be grounded or left open.

PIN LAYOUT AND DEFINITIONS (CONTINUED)

AM1085-2: 1.3mm x 2mm DFN



Pin	Name	Function
1	GND	Ground - Common
2	RF IN	RF Input - 50 ohms - DC Coupled, External DC Block Required
3	Bead	Connect to RF In through external ferrite bead or large inductor
4	GND	Ground - Common
5	RF Out	RF Output and DC Power Input - 50 Ohms - DC Coupled. External DC Blocking Capacitor Required
6	GND	Ground - Common

SPECIFICATIONS

Absolute Maximum Ratings

	Minimum	Maximum
Supply Voltage	-0.3 V	+9.0 V
RF Input Power		+20 dBm
Operating Junction Temperature	-40 C	+150 C
Storage Temperature Range	-50C	+150 C

Note: Any device operation beyond the Absolute Maximum Ratings may result in permanent damage to the device. The values listed in this table are extremes and do not imply functional operation of the device at these or any other conditions beyond what is listed under Recommended Operating Conditions. Devices subjected to conditions outside of what is recommended for extended periods may affect device reliability.

Handling Information

	Minimum	Maximum
Storage Temperature Range (Recommended)	-50 C	+125 C
Moisture Sensitivity Level	MSL 3	

Recommended Operating Conditions

	Minimum	Typical	Maximum
Supply Voltage	+4.5 V	+5.0 V	+5.5 V
Operating Case Temperature	-40 C		+85 C
Operating Junction Temperature	-40 C		+125 C

Thermal Information

Thermal Resistance (°C / W)	
Junction to Case Thermal Resistance (θ_{JC})	38.5



Mercury products are electrostatic sensitive. Follow safe handling practices to avoid damage.

DC Electrical Characteristics

(T = 25 °C unless otherwise specified)

Param	Testing Conditions	Min	Typical	Max
DC Supply Voltage			+5.0 V	
DC Supply Current	V Supply = +5.0 V		79 mA	
Power Dissipated	V Supply = +5.0 V		0.4 W	

RF Performance

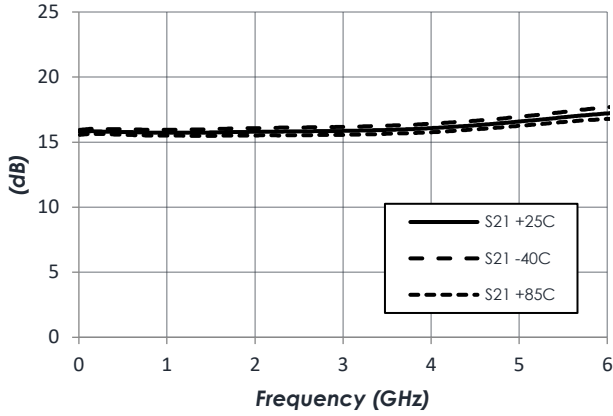
(T = 25 °C unless otherwise specified)

Param	Testing Conditions	Min	Typical	Max
Frequency Range		DC		6 GHz
Gain	V Supply = +5.0 V		16 dB	
Return Loss	V Supply = +5.0 V		12 dB	
Output IP3			35 dBm	
Output P1dB			20 dBm	
Noise Figure			2.5 dB	

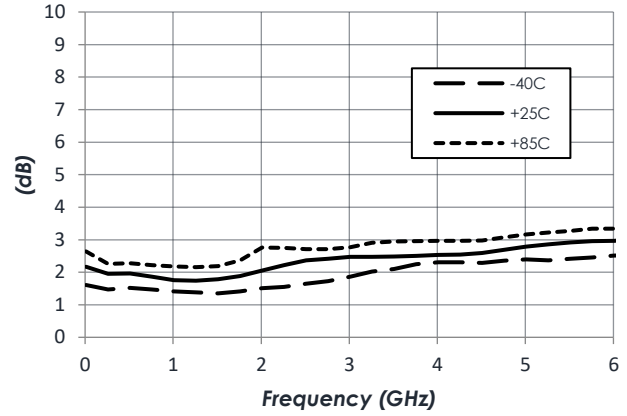
TYPICAL PERFORMANCE

(VD = +5.0 V, Id = 79 mA)

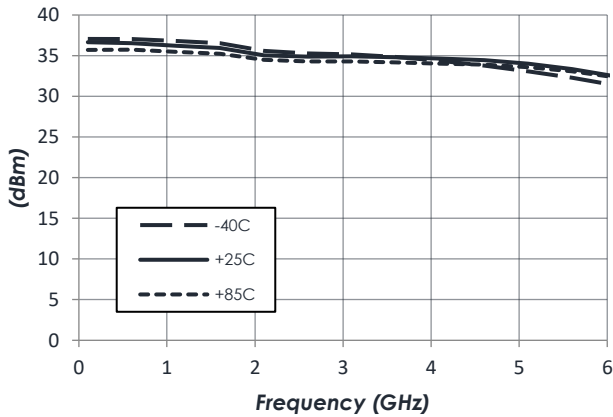
Gain vs Temperature



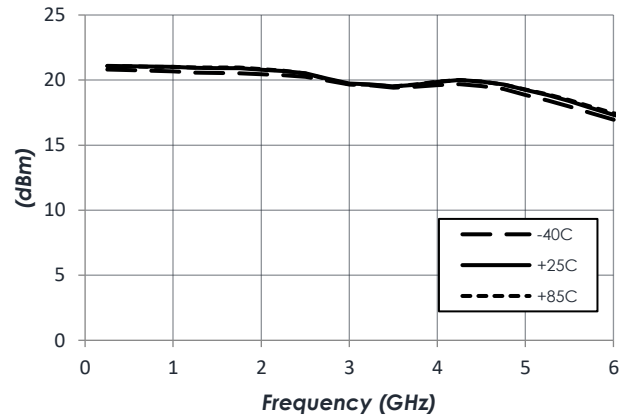
Noise Figure vs Temperature



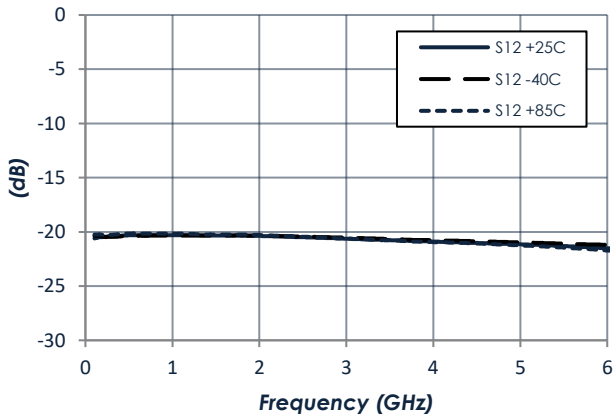
Output IP3 vs Temperature



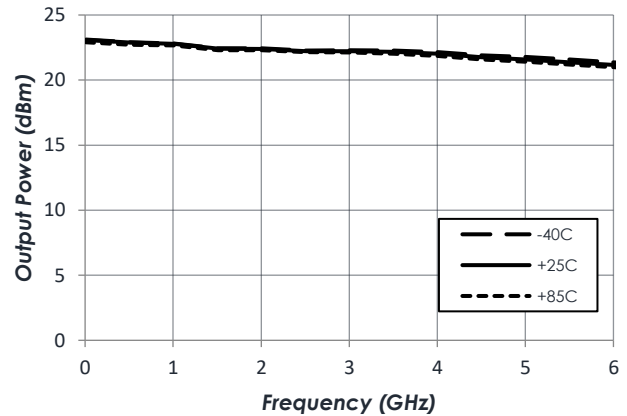
P1dB vs Temperature



Reverse Isolation vs Temperature



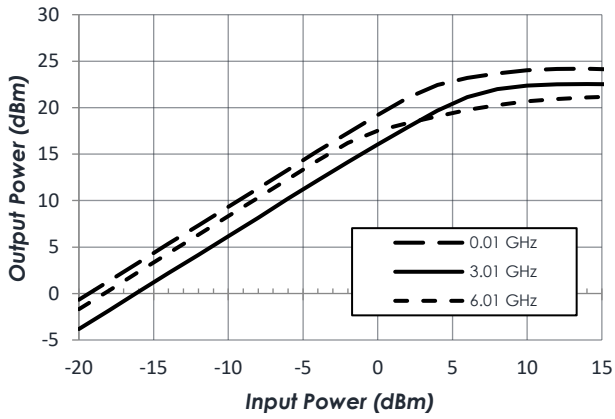
P_Sat vs Temperature



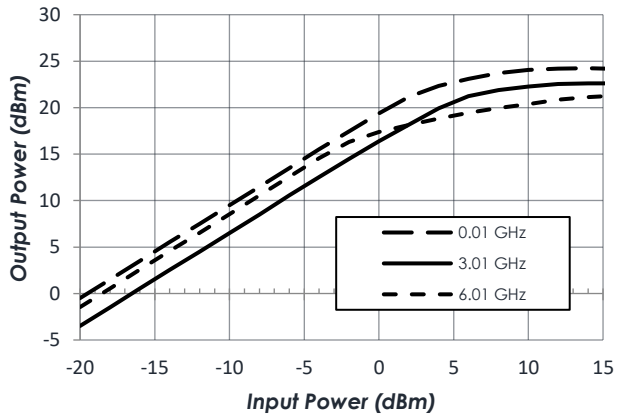
TYPICAL PERFORMANCE (CONTINUED)

(VD = +5.0 V, Id = 79 mA)

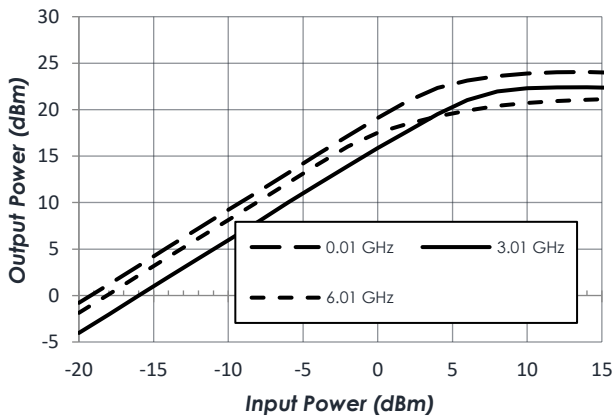
Pin vs. Pout at +25C



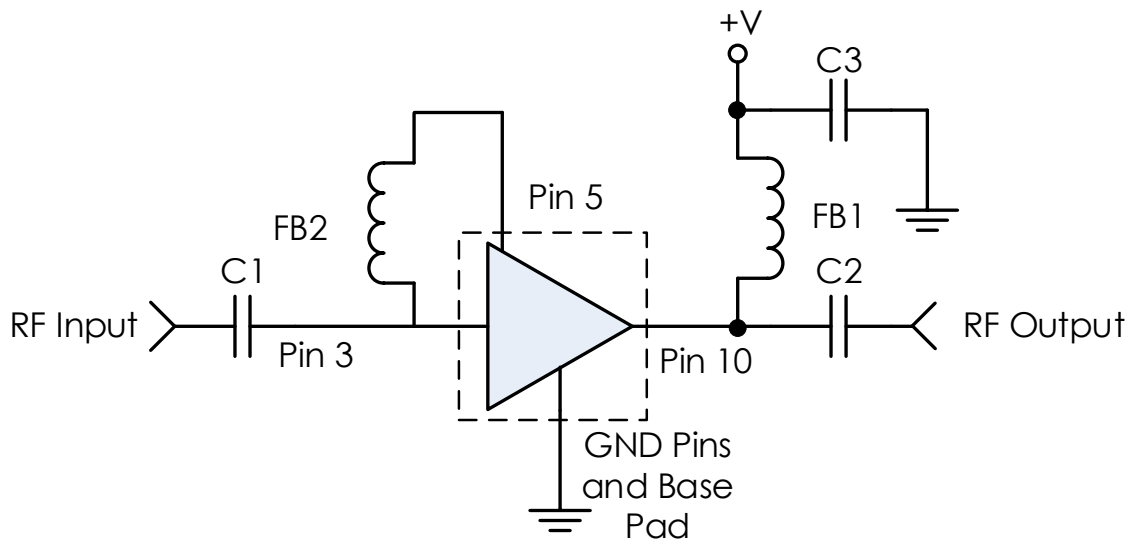
Pin vs. Pout at -40C



Pin vs. Pout at +85C



TYPICAL APPLICATION



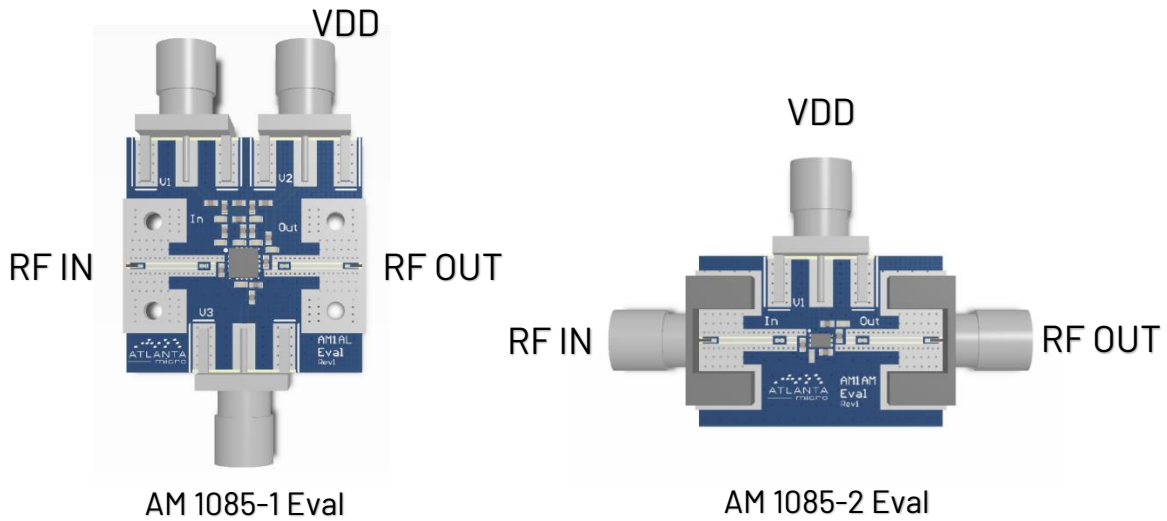
Recommended Component List (or Equivalent)

Part	Value	Part Number	Manufacturer
C1, C2	0.1 μ F	0402BB104KW160	Passives Plus
C3	0.1 μ F	GRM155R71C104KA88	Murata
FB1, FB2	-	MMZ1005A222E	TDK

Notes:

1. NC pins may be grounded or left open.
2. DC blocking capacitors should be high performance, low-loss, broadband capacitors for optimum performance.

EVALUATION PC BOARD



PART ORDERING DETAILS

Part Number	Description
AM1085-1	3mm 16 Lead QFN
AM1085-2	1.3mm x 2mm 6 Lead DFN
AM1085-1 Eval	AM1084-1 Evaluation Board
AM1085-2 Eval	AM1084-2 Evaluation Board
AM1085-M	AM1085-1 in 0.95" x 1.13" x 0.6" RF-Shielded Module with Integrated Bias Tee and Field Replaceable SMA Connectors

RELATED PARTS

Part Number	Description	
AM1016B	20 MHz to 6 GHz	+3.3V Gain Block
AM1018C	20 MHz to 6 GHz	+5.0V Gain Block
AM1025B	20 MHz to 3 GHz	+8.0V Gain Block (High P1dB)
AM1031C	20 MHz to 8 GHz	+3.3V Gain Block
AM1163-1	DC to 10 GHz	Gain Block
AM1164-1	DC to 8 GHz	Gain Block
AM1065	DC to 8 GHz	Bypassable Gain Block
AM1073	DC to 8 GHz	Bidirectional / Bypassable Gain Block
AM1085	DC to 6 GHz	+5.0V Gain Block
AM1090	DC to 6 GHz	+5.0V or +8.0V Gain Block

COMPONENT COMPLIANCE INFORMATION

RoHS: Mercury Systems, Inc. hereby certifies that all products comply with the EC Directive 2011/65/EC on the Restriction of Hazardous Substances, commonly known as EU-RoHS 6 and 10. All products supplied by Mercury shall be compliant with the European Directive 2011/65/EC based on the following substance list.

Substance List	Allowable Maximum Concentration
Lead (Pb)	<1000 PPM (0.1% by weight)
Mercury (Hg)	<1000 PPM (0.1% by weight)
Cadmium (Cd)	<75 PPM (0.0075% by weight)
Hexavalent Chromium (CrVI)	<1000 PPM (0.1% by weight)
Polybrominated Biphenyls (PBB)	<1000 PPM (0.1% by weight)
Polybrominated Diphenyl ethers (PBDE)	<1000 PPM (0.1% by weight)
Decabromodiphenyl Deca BDE	<1000 PPM (0.1% by weight)
Bis (2-ethylhexyl) Phthalate (DEHP)	<1000 PPM (0.1% by weight)
Butyl Benzyl Phthalate (BBP)	<1000 PPM (0.1% by weight)
Dibutyl Phthalate (DBP)	<1000 PPM (0.1% by weight)
Diisobutyl Phthalate (DIBP)	<1000 PPM (0.1% by weight)

REACH: Mercury Systems, Inc. neither uses nor intentionally adds any of the substances considered to be a Substance of Very High Concern (SVHC) as defined by the EU Regulation (EC) No. 1907-2006 on Registration, Evaluation, Authorization, and Restriction of Chemicals (REACH).

Conflict Materials: Mercury does not knowingly use materials that are sourced from the Democratic Republic of Congo (DRC) or any other known conflict regions. Mercury’s supply chain is comprised of sources that are both environmentally and socially responsible. We periodically review this requirement with our vendors to ensure continued compliance.

Mercury takes its responsibility as a global partner seriously and will use due diligence within our supply chain to ensure all standards are met to the best of our knowledge.



Corporate Headquarters

50 Minuteman Road
 Andover, MA 01810 USA
 +1 978.967.1401 tel
 +1 866.627.6951 tel
 +1 978.256.3599 fax

International Headquarters

Mercury International
 Avenue Eugène-Lance, 38
 PO Box 584
 CH-1212 Grand-Lancy 1
 Geneva, Switzerland
 +41 22 884 5100 tel

Learn more

Visit: mrcy.com
 For pricing details, contact: MMICsales@mrcy.com
 For technical details, contact: MMICsupport@mrcy.com



The Mercury Systems logo is a registered trademark of Mercury Systems, Inc. Other marks used herein may be trademarks or registered trademarks of their respective holders. Mercury products identified in this document conform with the specifications and standards described herein. Conformance to any such standards is based solely on Mercury’s internal processes and methods. The information contained in this document is subject to change at any time without notice.

