



# TIOC-300X

Mission and Payload Systems 3U-VPX

## 3U VPX XMC/PMC Carrier Module

### Feature Set

#### General

- 3U VPX
  - VITA 46.4 VPX / PCIe
  - VITA 48 VPX-REDI
  - VITA 65 OpenVPX
- PCI Express x1, x2, x4 or x8
  - VITA 46.4
  - Jumper setting for x8 or x4
  - Auto-negotiation for x2 or x1
- XMC Site with Rear I/O
  - VITA 46.9
  - VITA 42.3
  - IEEE 1386.1
- I<sup>2</sup>C Bus (SMBus<sup>®</sup>) Management
- I<sup>2</sup>C Bus Temperature Monitor
- 1.0" Pitch with VPX-REDI standard
- .80" air cooled and .85" conduction cooled Pitch available

#### Power:

- 5V @ 200 mA, 3.3V @ 200 mA (Max)
- 2 Watts (Max) without PMC/XMC

#### Specifications - Conduction Cooled

- Conformal Coat: Optional
- Operating Temperature: -40° to +85°C
- Storage Temperature: -55° to +105°C
- Humidity: 0 to 95% RH Non-Condensing
- Shock: 40g Peak Sawtooth @ 11 mSec
- Vibration (Random): 1g2/Hz, 15Hz to 2KHz
- Vibration (Sine): 10g Peak, 15Hz to 2KHz



Conduction Cooled TIOC-300X module with 1.0" VPX-REDI covers shown

**TIOC-300X** is a 3U VPX XMC/PMC Carrier Module. The TIOC-300X features on-board storage via I<sup>2</sup>C of configuration parameters, BIOS and mirroring data. The module includes an XMC/PMC site accessible via PCIe.

#### TIOC-300X Features:

- 3U VPX Conduction Cooled
  - VITA 46.4 VPX + PCI Express
  - VITA 48 VPX-REDI
  - VITA 65 OpenVPX
- PCIe 1.0a - x1, x2, x4 & x8
  - VITA 46.4
- XMC/PMC site with rear I/O
  - VITA 46.9
  - VITA 42.3
  - IEEE-1386.1
- I<sup>2</sup>C bus for Chassis Management functions

# TIOC-300X

Mission and Payload Systems 3U-VPX

**Compliance Specifications:**

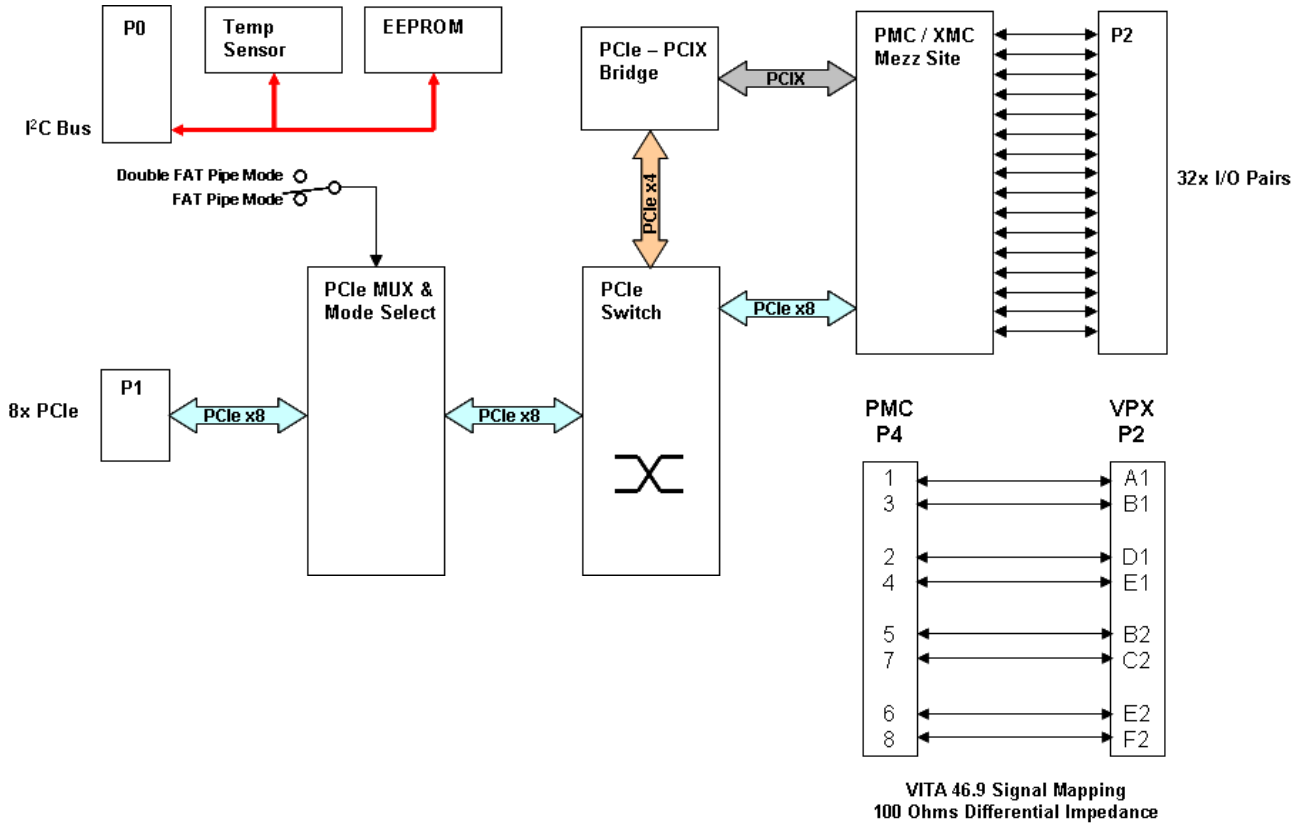
- The TIOC-300X XMC/PMC Carrier Module is designed to meet CE Emissions specification EN 55022, CE Immunity specification EN 50082-2 and FCC 47 CFR, Part 15, Class A when tested in a shielded enclosure.

**Standard Configuration Ordering Information:**

Air Cooled	Level 1	0.8" Pitch		TIOC-300X1-000
Conduction Cooled	Level 5	1.0" Pitch	VPX-REDI	TIOC-300X5-101

Consult factory to order other configurations

## TIOC-300X Block Diagram



# THEMIS

**Themis**  
47200 Bayside Parkway  
Fremont, CA 94538  
Tel: 510-252-0870  
Fax: 510-490-5529  
Email: [info@themis.com](mailto:info@themis.com)  
[www.themis.com](http://www.themis.com)

**Themis Europe Sales Office**  
5 rue Irène Joliot-Curie  
38320 Eybens, France  
Tel: +33.476.14.77.86  
Fax: +33.476.14.77.89

Themis, the Themis logo, TIOC-300X are trademarks or registered trademarks of Themis Computer. The OpenVPX logo is a registered trademark of VITA. SMBus® is a registered trademark of Microsoft. All other trademarks and registered trademarks are the property of their respective owners.