

Themis USPIIe-USB Single-Board Computer



Highest Performance UltraSPARC Single-Board Computers from Themis Computer

Themis' USPIIe-USB™ is a family of high performance 6U VMEbus computer boards based on the Sun® Microsystems 550-MHz and 650-MHz 64-bit UltraSPARC® processors. The USPIIe-USB provides users with 550-MHz and 650-MHz UltraSPARC® RISC processor options. Themis offers a down-clocked variant of the 650-MHz UltraSPARC processor, to 600-MHz, for users who can accept a reduction in peak processing capacity in exchange for increases in thermal management and design margins. Themis' USPIIe-USB supports 64-bit Solaris™ 8 and Solaris 9 operating environments, enabling embedded computing users to access thousands of off-the shelf Solaris™ software solutions.

Designed for the highest level of configuration flexibility and performance, the USPIIe-USB integrates the Sun 64-bit 650-MHz UltraSPARC® Ili processors with a local PCI bus (PMC) peripheral controller slot, and a high performance bridge. This high speed VME64 board is available in one-slot, two-slot and three-slot configurations that offer a wide range of I/O and performance options.

The cost-effective USPIIe-USB/1 is a single-slot configuration that has low power dissipation, and high flexibility for embedded computing applications. It features dual 80MB/sec Ultra2 LVD SCSI ports, one 10/100Base-T Ethernet port, and four RS-232 serial ports. Memory is expandable up to 4-Gbytes using memory mezzanine cards. This baseboard configuration provides a 64-bit PMC slot for local I/O or graphics expansion. Further I/O expansion is available via a 64-bit PCI riser to the second and third VME slots.

The USPIIe-USB/2P2 two-slot configuration offers significant I/O expansion options, including two additional PMC slots. This expanded I/O configuration provides AC97 audio, a second 10/100Base-T Ethernet port, two multiprotocol serial ports and a software readable front panel rotary switch. These features make it ideal for data and telecommunications applications.

The USPIIe-USB/2P3 is a doublewide configuration providing users three additional PMC slots without the expansion features of the USPIIe-USB/2P2 configuration. All versions may be configured with Themis' high performance TGA3D graphics co-processor. The TGA3D uses one additional VMEbus slot and provides one additional PMC slot.

Features & Specifications

USPIIe-USB/1

Processors (64-bit) – 550-MHz UltraSPARC Ili or 650-MHz UltraSPARC Ili
Performance – 25/28 SPECint95/tp (650 MHz)
VME Interface – VME 64X via Tundra Universe II A24/D16, A32/D32 modes
VME Form Factor – 6U one (1) slot, expandable to three (3) slots with optional features
Memory – 128-MB to 4-GB SDRAM
On-chip L1 Cache – 16-KB Instr / 16KB Data
On-chip L2 Cache – 256-KB 4-way associative (500-MHz processor)/512-KB (650-MHz)
Flash Memory – 2-MB system, 8-MB user
Error Detection/Correction – 8-bit ECC to main memory
Timers – Three level 22-bit watchdog timers
SCSI Interface – Two (2) 80-MB/sec Ultra2 LVD SCSI ports
PMC Slot – One (1) 64-bit 33-MHz PMC slot
Parallel Port – Three level 22-bit watchdog timers
Ethernet Interface – One (1) 10/100MB with front panel RJ45
Serial I/O – Four (4) serial RS232 ports (one port RS232/RS422)
64-bit Solaris 8 and Solaris 9 Support

USPIIe-USB/1

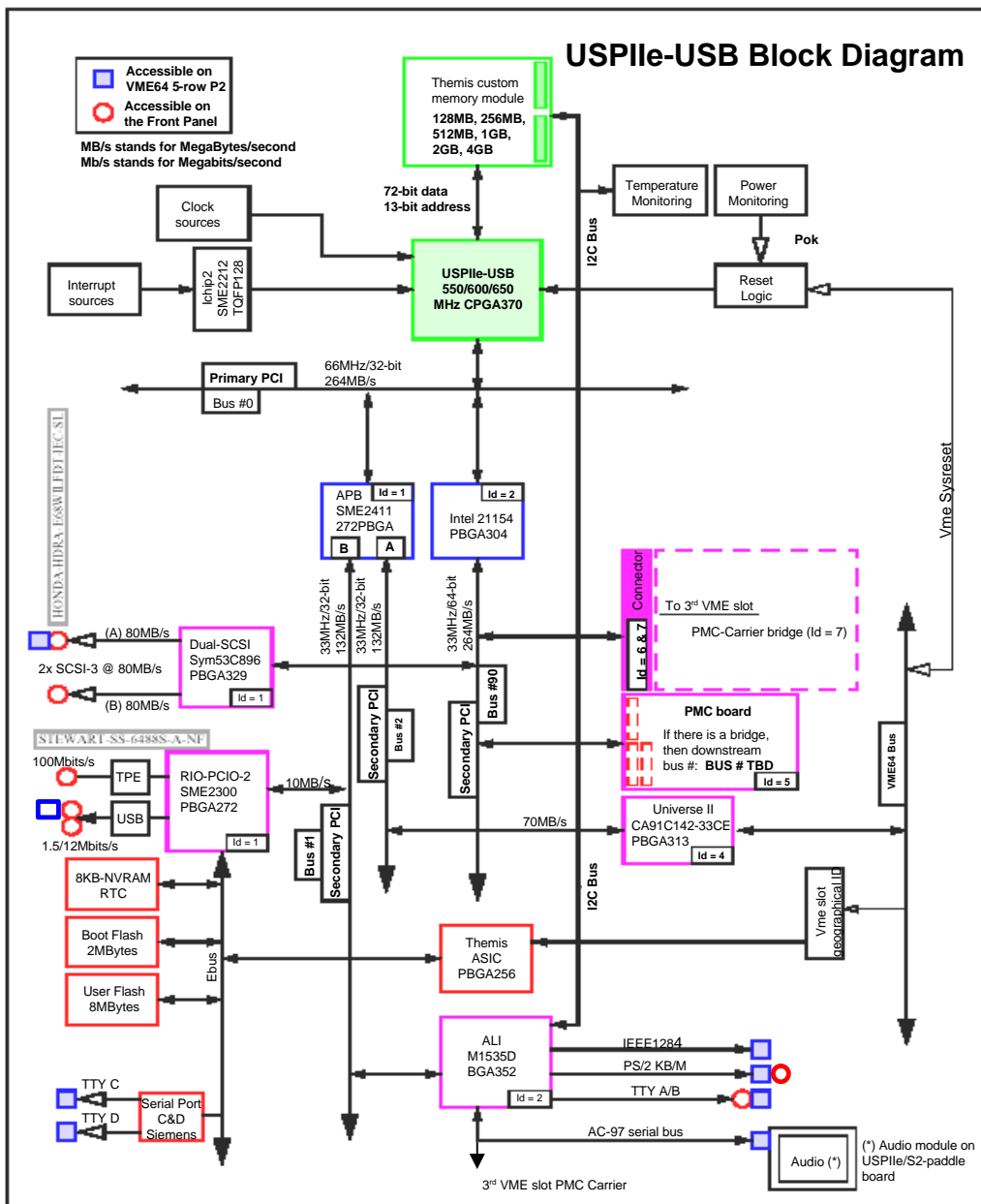
Three (3) USB 1.0 ports (2 on front panel, 1 at rear of board)
Injectors – both VME64 and traditional VME injectors available
Power Requirements-
+5V @ 6A, 12V @ 0.1A, -12V @ .04A (500MHz)
+5V @ 7A, 12V @ 0.1A, -12V @ .04A (650MHz)
Operating Temp Range: -5 to + 55°C
Cooling – 300 LFM minimum
Dimensions (HxD): 6U 9.173" (233mm) x 6.299" (160mm)
Weight: approx. 1.32 lbs. (weights vary by board configuration)

USPIIe-USB/2P2

Audio – AC97 audio In/Out, sample rate - 48 kHz, 16 bits
Ethernet Interface– One (1) additional 10/100 MB with front panel RJ45
Serial I/O – Two (2) additional serial RS232/422 ports
PMC Expansion – Two additional 64-bit PMC slots (3.3/5V)
Rotary Switch – User selectable 16-position

USPIIe-USB/2P3

PMC Expansion – Three (3) additional 64-bit 33-MHz PMC slots (3.3/5V)



Part Numbers USPIIe-USB/AAA-BBBB-CCC-DDD-EEE

AAA = Board Configuration	/1 = Baseboard with 1 PMC slot /2P2 = Baseboard with 3 PMC slots /2P3 = Baseboard with 4 PMC slots	CCC = Frequency	500 = 500MHz 600 = 600MHz 650 = 650MHz
BBBB = Memory	0128 = 128MB RAM 0256 = 256MB RAM 0512 = 512MB RAM 1024 = 1024MB RAM 2048 = 2048MB RAM	D = Keyboard	PS2 USB
I/O Transition Module with cables INT-KIT-USPIIe-USB		EEE = Ejector Type	No Entry = VME64 (Standard) V32 = VME32 (Optional)
		Ejector Handles: Elma IEEE P1101.10 VME64 (Standard), APW "snap-lock" (Optional), Triple-E-type VME32 (Optional)	



Themis
 47200 Bayside Parkway
 Fremont, CA 94538
 Tel: 510-252-0870
 Fax: 510-490-5529
 Email: info@themis.com
www.themis.com

Themis Europe Sales Office
 5 rue Irène Joliot-Curie
 38320 Eybens, France
 Tel: +33.476.14.77.86
 Fax: +33.476.14.77.89



Themis, the Themis logo, and USPIIe-USB are trademarks or registered trademarks of Themis Computer. Sun, Sun Microsystems, the Sun logo, and Solaris are trademarks or registered trademarks of Sun Microsystems, Inc. in the United States and other countries. UltraSPARC, the ULTRASPARC Driven logo, and SPARC trademarks are used under license and are trademarks or registered trademarks of SPARC International, Inc. in the United States and other countries. Products bearing SPARC trademarks are based upon an architecture developed by Sun Microsystems, Inc.