

Ultra Low Phase Noise Amplifier AML218PNA3213

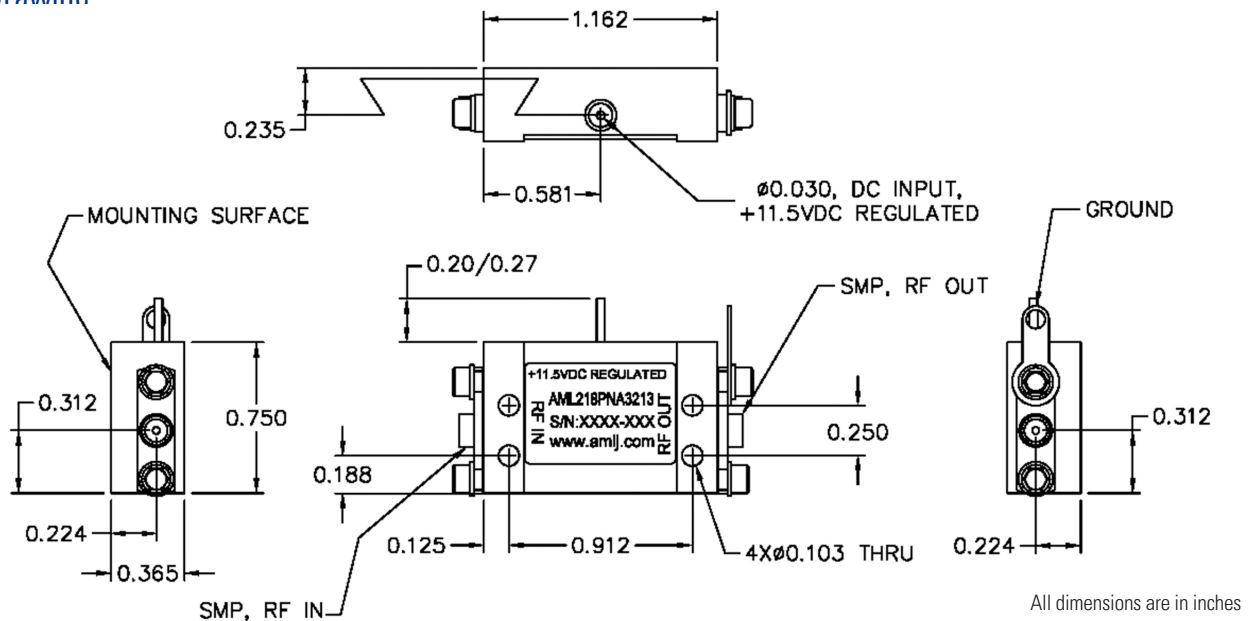


Specifications are subject to change without notice

Electrical Specifications (+25°C)

| Parameter | Value |
|----------------------------|---------------|
| Frequency Range | 2.0 - 18.0 |
| Gain | 32 |
| Flatness vs. frequency | ± 2.5 dB |
| Noise Figure | 4 dB |
| P1dB | 25 dBm |
| VSWR In/Out | .0:1 |
| Supply Voltage (regulated) | 1.5 VDC |
| DC Current @ +11.5V (reg.) | 550 mA |
| Operational Temperature | -40 ° to 90°C |

Outline Drawing



Need More Help? Need a Variant of This Product?

Contact Mercury's RF & Microwave engineering team at rf.microwave@mrcy.com or visit www.mrcy.com/rf for a detailed listing of RF and Microwave products.



Corporate Headquarters • 50 Minuteman Road • Andover, MA 01810 USA • (978) 967-1401 • (866) 627-6951 • Fax (978) 256-3599 • www.mrcy.com