

Low Noise Amplifier

AML56L2802

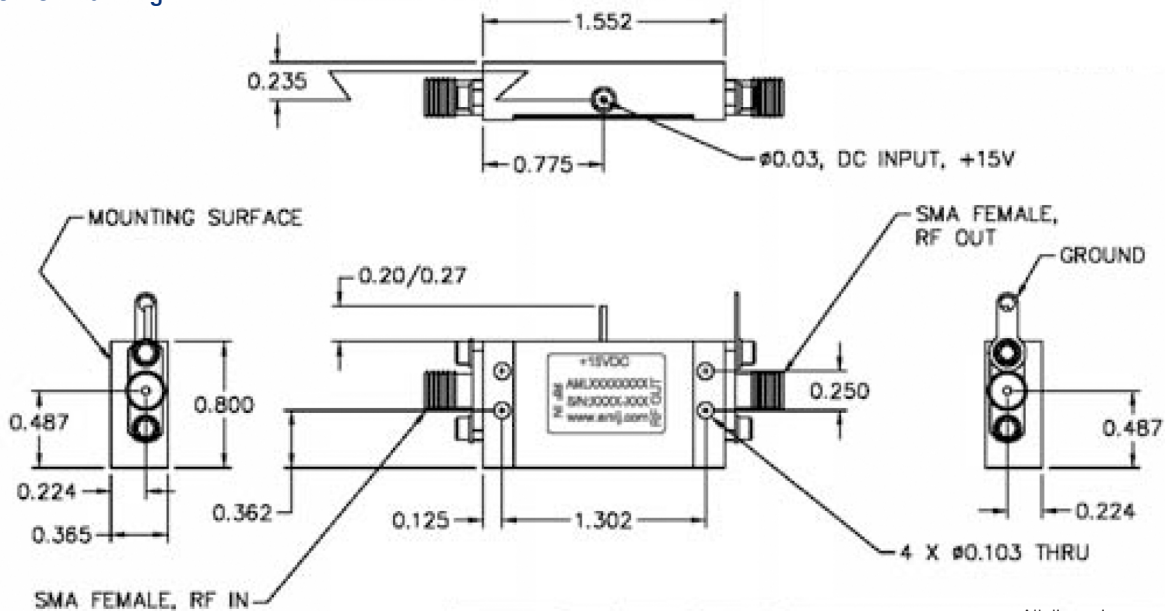


Specifications are subject to change without notice

Electrical Specifications (+25°C)

Parameter	Value
Frequency Range (GHz)	5.9 - 6.4
Gain (dB min)	28
Flatness (\pm dB max)	1
Noise Figure (dB max)	0.7
P-1dB (dBm min)	10
Output IP3 (dBm typ.)	18
VSWR In/Out (nom)	2.0:1
DC Current (mA nom)	100

Outline Drawing



All dimensions are in inches

Need More Help? Need a Variant of This Product?

Contact Mercury's RF & Microwave engineering team at rf.microwave@mrcy.com or visit www.mrcy.com/rf for a detailed listing of RF and Microwave products.



Corporate Headquarters • 50 Minuteman Road • Andover, MA 01810 USA • (978) 967-1401 • (866) 627-6951 • Fax (978) 256-3599 • www.mrcy.com

6681.00E-0718-SS-AML56L2802-amp