

# Low-Pass Filter C3903

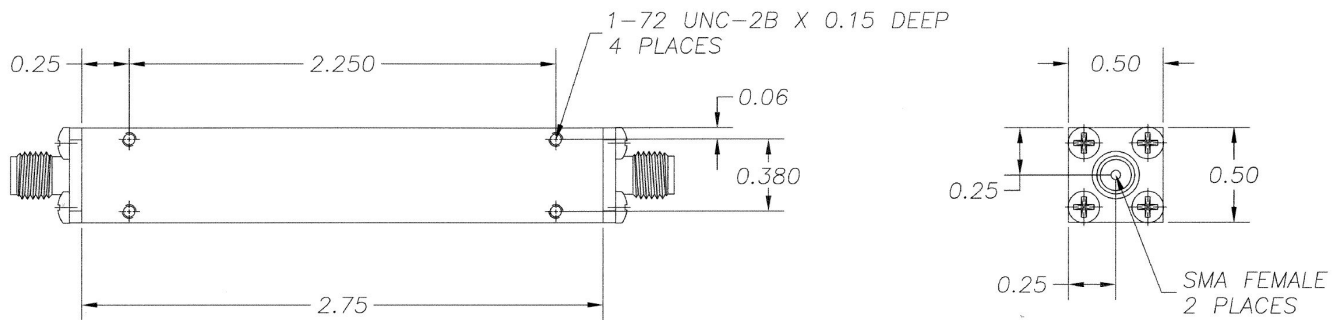


Specifications are subject to change without notice

## Electrical Specifications (+25°C)

Parameter	Value
Passband	1 to 4400 MHz
Insertion Loss	1.0 dB Maximum
VSWR	1.5:1 Maximum
Rejection	40 dB from 5500 to 10000 MHz
Connectors	SMA Female per MIL-C-39012

## Outline Drawing



All dimensions are in inches

### Need More Help? Need a Variant of This Product?

Contact Mercury's RF & Microwave engineering team at [rf.microwave@mrcy.com](mailto:rf.microwave@mrcy.com) or visit [www.mrcy.com/rf](http://www.mrcy.com/rf) for a detailed listing of RF and Microwave products.

