

# Bandpass Filter

## Ku1954



Specifications are subject to change without notice

### Electrical Specifications (+25°C)

Parameter	Value
Passband	13.0 - 15.5 MHz
Insertion loss	1.0 dB
VSWR	1.4:1
Rejection	65 dB from 1 - 11,800 MHz
Rejection	65 dB from 16,500 - 25,000 MHz
Connectors	SMA female
Package Size	0.62" x 0.62" x 3.2"

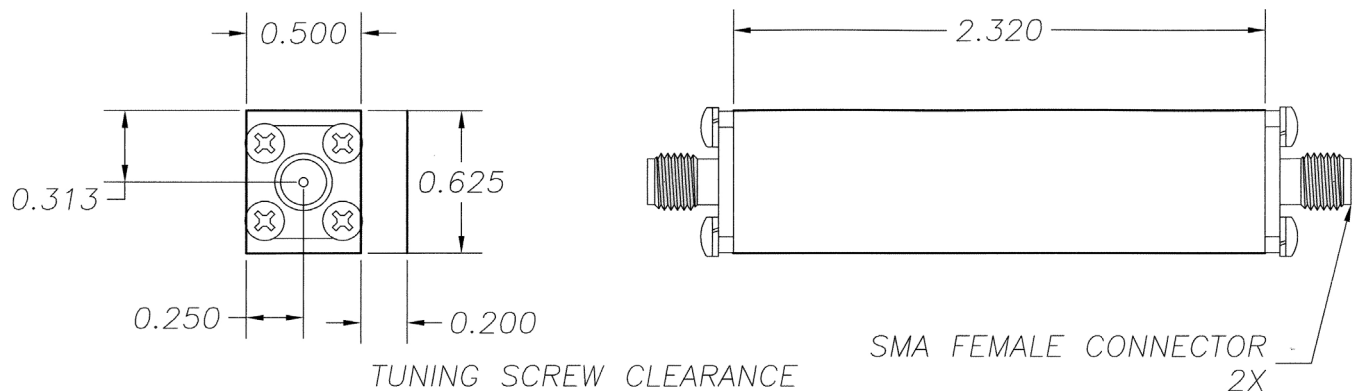
### Features

- Cavity Design
- Low Loss

### Applications

- Portable satellite
- VSAT
- Satcom
- Point to point

### Outline Drawing



All dimensions are in inches

### Need More Help? Need a Variant of This Product?

Contact Mercury's RF & Microwave engineering team at [rf.microwave@rcy.com](mailto:rf.microwave@rcy.com) or visit [www.mrcy.com/rf](http://www.mrcy.com/rf) for a detailed listing of RF and Microwave products.



Corporate Headquarters • 50 Minuteman Road • Andover, MA 01810 USA • (978) 967-1401 • (866) 627-6951 • Fax (978) 256-3599 • [www.mrcy.com](http://www.mrcy.com)

7001.00E-1118-SS-Ku1954-filter