

Bandpass Filter L1427



Specifications are subject to change without notice

Electrical Specifications (+25°C)

Parameter	Value
Passband	1575.4 MHz
Insertion loss	1.6 dB
VSWR	1.5:1
70 dB bandwidth	300 MHz max.
Connectors	SMA female
Package Size	0.55" x 1.45" x 2.0"

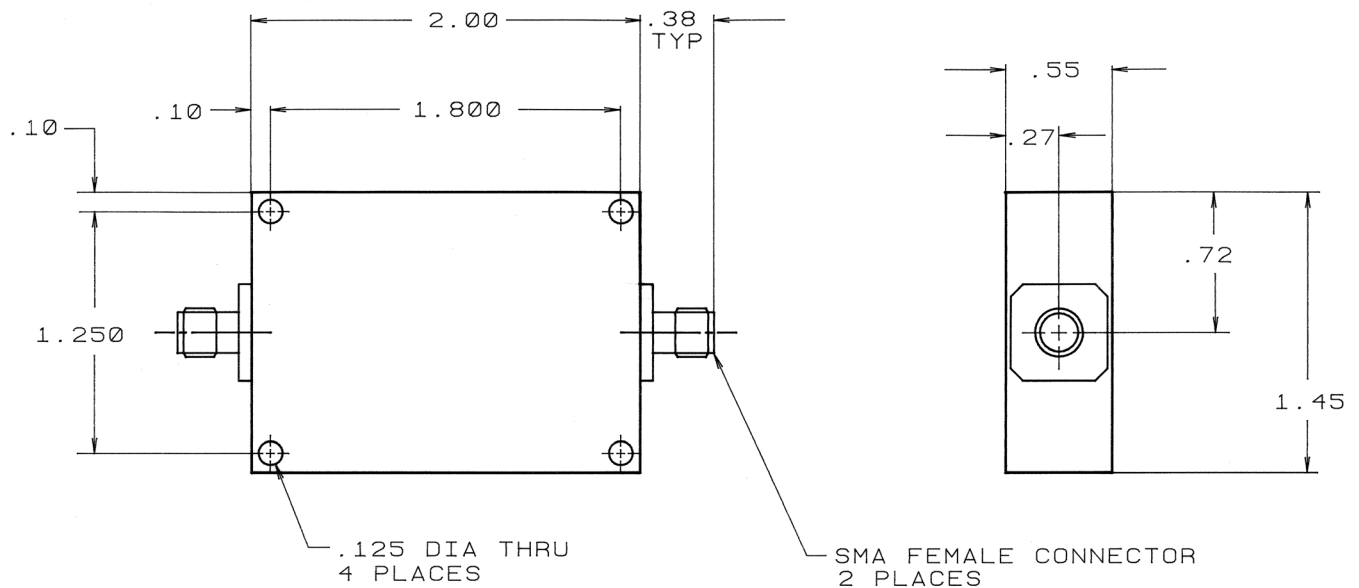
Features

- Cavity design
- Low loss
- L1 operation

Applications

- GPS receiver
- Timing
- Test equipment

Outline Drawing



All dimensions are in inches

Need More Help? Need a Variant of This Product?

Contact Mercury's RF & Microwave engineering team at rf.microwave@mrcy.com or visit www.mrcy.com/rf for a detailed listing of RF and Microwave products.



Corporate Headquarters • 50 Minuteman Road • Andover, MA 01810 USA • (978) 967-1401 • (866) 627-6951 • Fax (978) 256-3599 • www.mrcy.com