

GPS Filter/Amplifier L54148



Specifications are subject to change without notice

Electrical Specifications (+25°C)

Parameter	Value
Passband	1575.42 +/- 8 MHz
3 dB Bandwidth	+/- 10 MHz min
Gain	25 +/- 2dB
Gain Flatness	+/- 0.5 dB
Noise Figure	1.5 dB max, 1.0 typ
Gain Compression	+10 dBm min
VSWR (input)	1.3:1
VSWR (output)	1.5:1
Rejection	50 dB from 1315 to 1495 MHz
Rejection	50 dB from 1625 to 2000 MHz
DC Requirements	+7 to +32 VDC @ 60 mA max (via output connector)
L2 reference port	1227.6 MHz; < 1.0 dB loss; > 2:1 VSWR
Connectors	SMA Female
Operating Temperature	-50 to +70°C
Package Size	1.5 x 3.0 x 3.0"

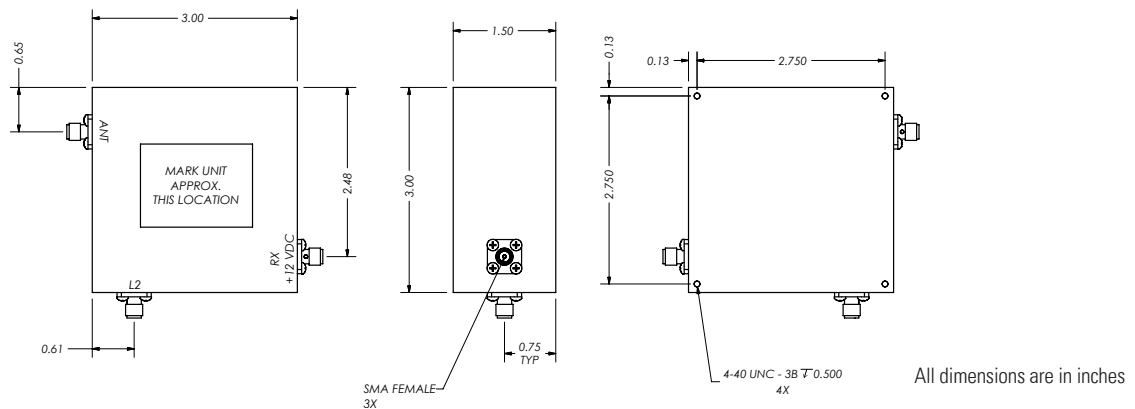
Features

- Cavity Design
- Low Loss
- L2 Reference port

Applications

- Maritime
- Airborne
- Mobile
- Timing
- Test Equipment

Outline Drawing



Need More Help? Need a Variant of This Product?

Contact Mercury's RF & Microwave engineering team at rf.microwave@rcy.com or visit www.rcy.com/rf for a detailed listing of RF and Microwave products.



Corporate Headquarters • 50 Minuteman Road • Andover, MA 01810 USA • (978) 967-1401 • (866) 627-6951 • Fax (978) 256-3599 • www.rcy.com