

GPS Diplexer L5513



Specifications are subject to change without notice

Electrical Specifications (+25°C)

Parameter	Value
Passband	L1 1575.42 +/- 8 MHz L2 1227.6 +/- 8 MHz
Insertion Loss	0.45 dB
Passband Ripple	0.2 dB Max
VSWR	1.25:1
Passband Delay Variation	7.5 nS
L1 to L2 Isolation	60 dB
3 dB Bandwidth	26 MHz Min 34 MHz Max
70 dB Bandwidth	140 MHz Max
Connectors	SMA Female
Package Size	2.1 x 4.0 x 9.8"

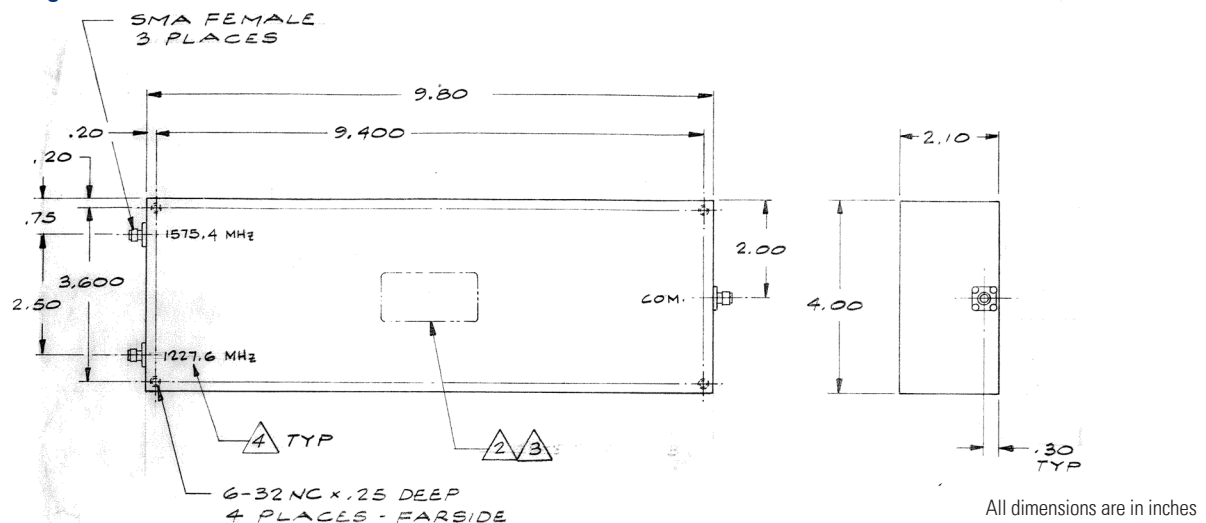
Features

Cavity Design
Low Loss

Applications

Maritime
Airborne
Mobile
Timing
Test Equipment

Outline Drawing



Need More Help? Need a Variant of This Product?

Contact Mercury's RF & Microwave engineering team at rf.microwave@mrcy.com or visit www.mrcy.com/rf for a detailed listing of RF and Microwave products.



Corporate Headquarters • 50 Minuteman Road • Andover, MA 01810 USA • (978) 967-1401 • (866) 627-6951 • Fax (978) 256-3599 • www.mrcy.com