

# GPS Filter/Amplifier L5669



Specifications are subject to change without notice

## Electrical Specifications (+25°C)

Parameter	Value
Passband	1575.42 +/- 10 MHz 1227.6 +/- 10 MHz
Gain	26 +/- 1 dB
Noise Figure	2.5 dB maximum
VSWR Input	1.5:1
VSWR Output	2:1
Rejection	80 dB @ +/- 100 MHz
Input Power Handling	+10 dBm
Output Power	+8 dBm minimum
Voltage	+9 to +32 VDC @ 60 mA
Operating Temperature	-54 to +71°C
Connectors	"N" Female
Package Size	1.0 x 2.0 x 5.1"

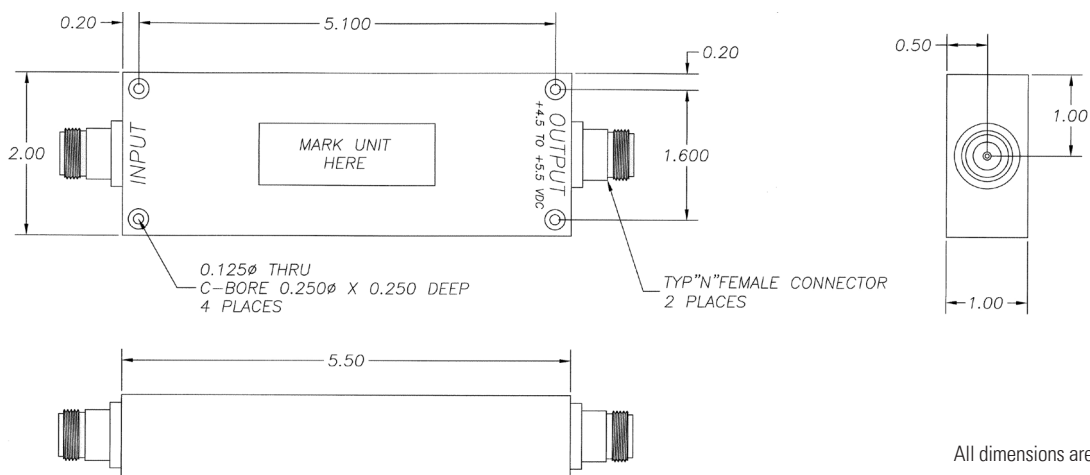
## Features

- Cavity Design
- Low Loss

## Applications

- Maritime
- Airborne
- Mobile
- Timing
- Test Equipment

## Outline Drawing



## Need More Help? Need a Variant of This Product?

Contact Mercury's RF & Microwave engineering team at [rf.microwave@rcy.com](mailto:rf.microwave@rcy.com) or visit [www.rcy.com/rf](http://www.rcy.com/rf) for a detailed listing of RF and Microwave products.



Corporate Headquarters • 50 Minuteman Road • Andover, MA 01810 USA • (978) 967-1401 • (866) 627-6951 • Fax (978) 256-3599 • [www.rcy.com](http://www.rcy.com)