

# GPS Filter Amplifier L5676

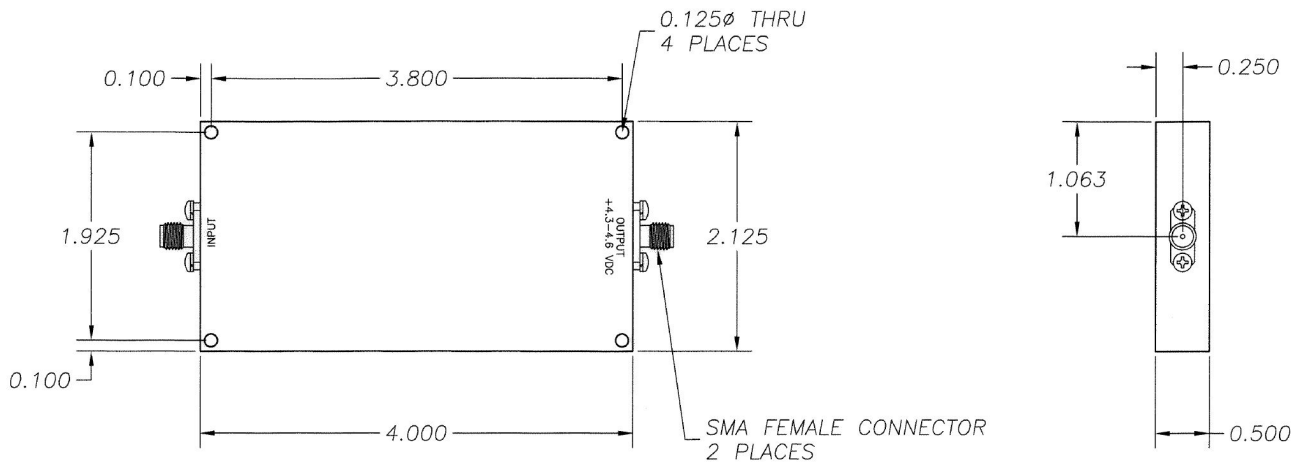


Specifications are subject to change without notice

## Electrical Specifications (+25°C)

Parameter	Value
Passband	1575.42 +/- 10 MHz 1227.6 +/- 10 MHz
Gain	25 +/- 3 dB
Noise Figure	2.0 dB (Ambient)
VSWR	1.5:1 (input) 2:1 (output)
Voltage	5 VDC regulated power @ 60 mA
Rejection	80 dB from 1 to 10,000 MHz excluding +/- 100 MHz of the passband
Operating Temperature	-55 to +85C
Connectors	SMA Female

## Outline Drawing



All dimensions are in inches

### Need More Help? Need a Variant of This Product?

Contact Mercury's RF & Microwave engineering team at [rf.microwave@rcy.com](mailto:rf.microwave@rcy.com) or visit [www.rcy.com/rf](http://www.rcy.com/rf) for a detailed listing of RF and Microwave products.



Corporate Headquarters • 50 Minuteman Road • Andover, MA 01810 USA • (978) 967-1401 • (866) 627-6951 • Fax (978) 256-3599 • [www.rcy.com](http://www.rcy.com)