

IQ Mixer MIQ30K

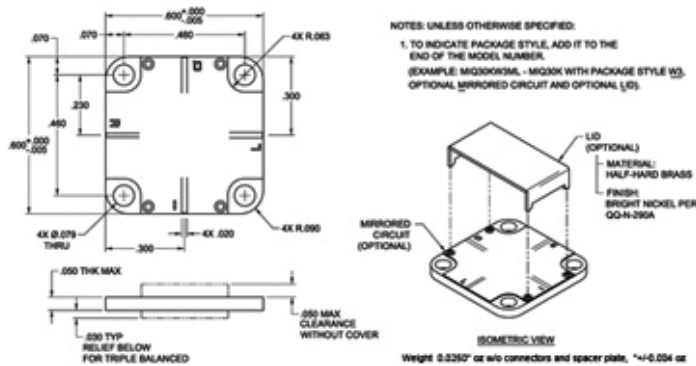


Specifications are subject to change without notice

Specifications

Parameter	Value
RF Frequency	3 to 6 GHz
LO Frequency	3 to 6 GHz
LO Power	10 dBm typ
Conversion Loss	5.5 dB typ, 8.5 dB max
IF Frequency	DC to 0.5 GHz
LO to RF Isolation	25 dB min, 31 dB typ
LO to IF Isolation	25 dB min, 31 dB typ
IP3 In	14 dBm typ
P1dB In	5 dBm typ

Package Styles



All dimensions are in inches

Need More Help? Need a Variant of This Product?

Contact Mercury's RF & Microwave engineering team at rf.microwave@mrcy.com or visit www.mrcy.com/rf for a detailed listing of RF and Microwave products.

