

# Bandpass Filter S1579



Specifications are subject to change without notice

## Electrical Specifications (+25°C)

Parameter	Value
Passband 1	2040 to 2080 MHz
Insertion Loss	1.0 dB @ Fo
VSWR	1.5:1
Rejection	40 dB from 1 to 2012 MHz
Rejection	40 dB from 2122 to 5000 MHz
Connectors	SMA female
Package Size	1.0" x 1.5" x 2.4"

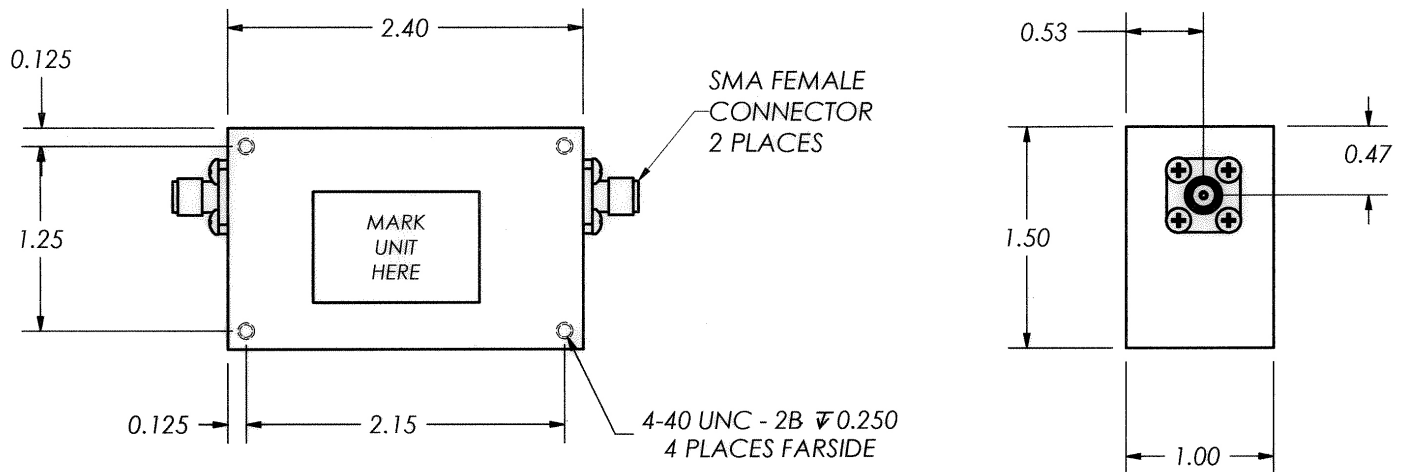
## Features

- Cavity design
- Low loss

## Applications

- Up/down converter
- Test equipment

## Outline Drawing



All dimensions are in inches

## Need More Help? Need a Variant of This Product?

Contact Mercury's RF & Microwave engineering team at [rf.microwave@mrcy.com](mailto:rf.microwave@mrcy.com) or visit [www.mrcy.com/rf](http://www.mrcy.com/rf) for a detailed listing of RF and Microwave products.



Corporate Headquarters • 50 Minuteman Road • Andover, MA 01810 USA • (978) 967-1401 • (866) 627-6951 • Fax (978) 256-3599 • [www.mrcy.com](http://www.mrcy.com)