

Surface Mount Isolator SMD1300-T0501

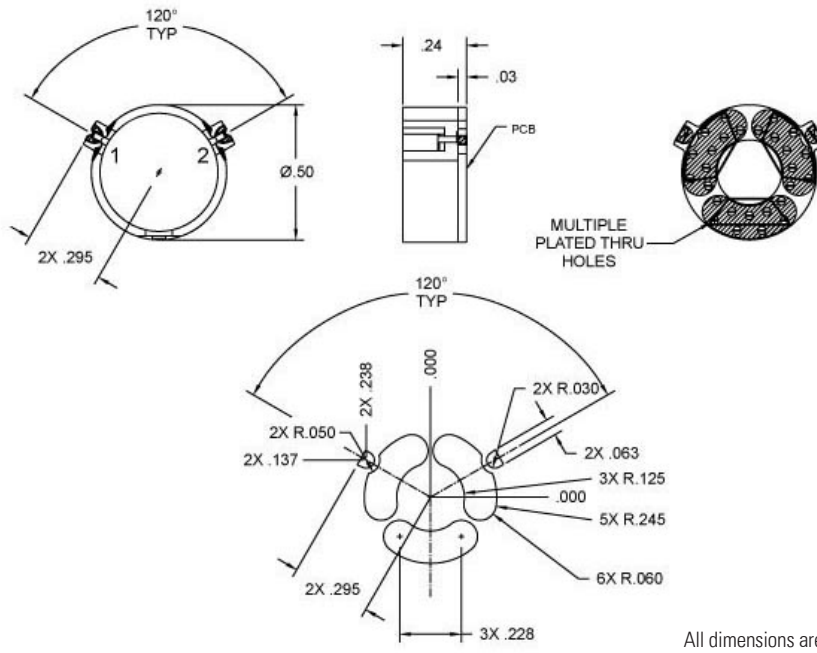


Specifications are subject to change without notice

Specifications (+25°C)

| Parameter | Value |
|-----------------------|--------------------|
| RF Frequency | 5.6 GHz to 7.1 GHz |
| Isolation | 20 dB (min) |
| Insertion Loss | 0.5 dB (max) |
| VSWR | 1.25:1 |
| Power Forward | 5 Watts |
| Power Reverse | 1 Watts |
| Operating Temperature | -35 to 85°C |
| Package Size | 0.5" |

Outline Drawing



Need More Help? Need a Variant of This Product?
 Contact Mercury's RF & Microwave engineering team at rf.microwave@mrcy.com or visit www.mrcy.com/rf for a detailed listing of RF and Microwave products.



Corporate Headquarters • 50 Minuteman Road • Andover, MA 01810 USA • (978) 967-1401 • (866) 627-6951 • Fax (978) 256-3599 • www.mrcy.com