

# Drop-in Isolator SMF635-F1000

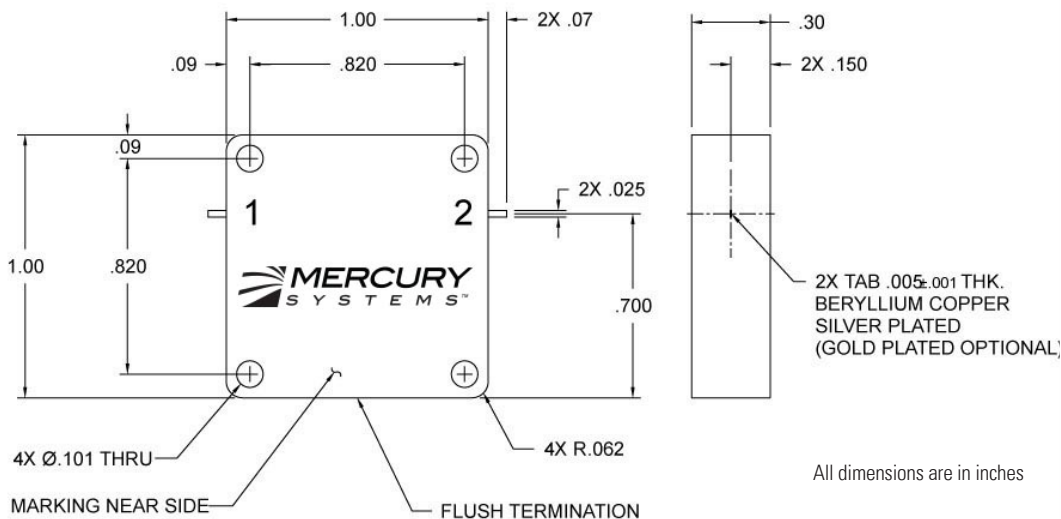


Specifications are subject to change without notice

## Specifications

Parameter	Value
RF Frequency	10 GHz to 11 GHz
Isolation	20 dB (min)
Insertion Loss	0.5 dB (max)
VSWR	1.25:1
Peak Power	20 Watts (max)
Average Power	2 Watts (max)
Power Forward	5 Watts
Power Reverse	0.5 Watts
Package Size	0.26 x 0.50 x 0.18"
Operating Temperature	-40 to 85 °C

## Outline Drawing



## Need More Help? Need a Variant of This Product?

Contact Mercury's RF & Microwave engineering team at [rf.microwave@mrcy.com](mailto:rf.microwave@mrcy.com) or visit [www.mrcy.com/rf](http://www.mrcy.com/rf) for a detailed listing of RF and Microwave products.



Corporate Headquarters • 50 Minuteman Road • Andover, MA 01810 USA • (978) 967-1401 • (866) 627-6951 • Fax (978) 256-3599 • [www.mrcy.com](http://www.mrcy.com)

6729.00E-0718-SS-SMF635F1000-ferrite