

Band-Pass Filter U1209

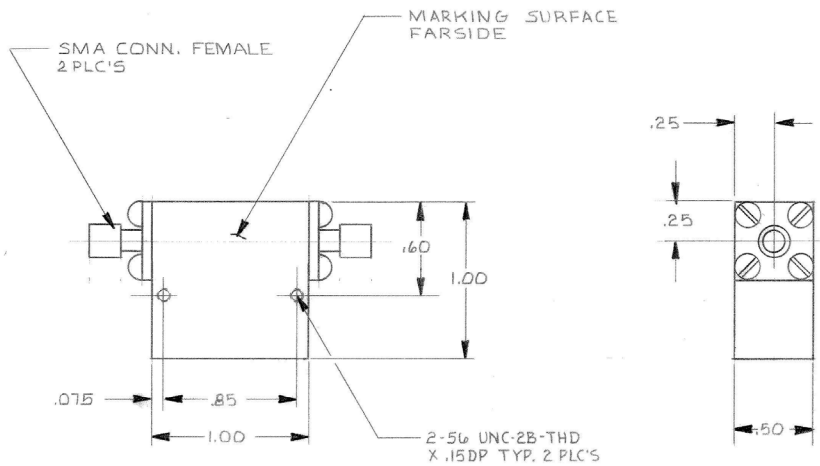


Specifications are subject to change without notice

Specifications

Parameter	Value
Passband	149.9 to 151.1 MHz
Insertion Loss	1.5 dB
VSWR	1.5:1
Rejection	30 dB @ 140 MHz
Rejection	30 dB @ 160 MHz
Connectors	SMA Female
Package Size	2.4" x 4.5" x 7.0"

Outline Drawing



All dimensions are in inches

Need More Help? Need a Variant of This Product?

Contact Mercury's RF & Microwave engineering team at rf.microwave@mrcy.com or visit www.mrcy.com/rf for a detailed listing of RF and Microwave products.



Corporate Headquarters • 50 Minuteman Road • Andover, MA 01810 USA • (978) 967-1401 • (866) 627-6951 • Fax (978) 256-3599 • www.mrcy.com