

# Band-Pass Filter U1920-2

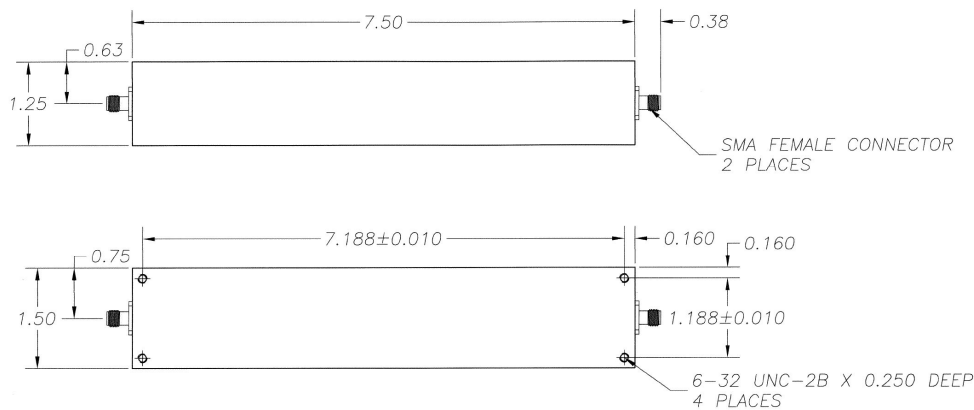


Specifications are subject to change without notice

## Specifications (+25°C)

Parameter	Value
Passband	100 to 180 MHz
Insertion Loss	0.6 dB from 100 to 150 MHz 0.9 dB from 151 to 180 MHz
VSWR	2:1
Rejection	60 dB from 0.1 to 30 MHz
Rejection	60 dB from 380 to 1000 MHz
Connectors	SMA Female
Package Size	1.25" x 1.5" x 7.5"

## Outline Drawing



All dimensions are in inches

### Need More Help? Need a Variant of This Product?

Contact Mercury's RF & Microwave engineering team at [rf.microwave@rcy.com](mailto:rf.microwave@rcy.com) or visit [www.rcy.com/rf](http://www.rcy.com/rf) for a detailed listing of RF and Microwave products.



Corporate Headquarters • 50 Minuteman Road • Andover, MA 01810 USA • (978) 967-1401 • (866) 627-6951 • Fax (978) 256-3599 • [www.rcy.com](http://www.rcy.com)