

Band-Pass Filter

U1967

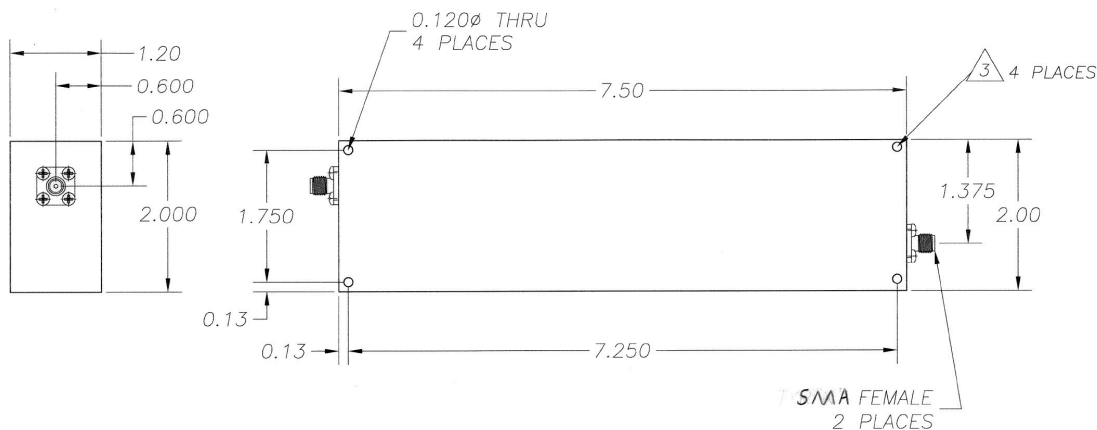


Specifications are subject to change without notice

Specifications (+25°C)

Parameter	Value
Passband Frequency	225 MHz to 400 MHz
Insertion Loss	< 1.5 dB
Rejection	
Lower Stopband	60 dB minimum from 0 to 88 MHz
Upper Stopband	40 dB minimum from 420 to 2.5 GHz
V.S.W.R.	1.5:1
Power Handling	100 Watts
Size	1.5" x 2.0" x 8.0"
Connectors	"N" Type
Operating Temperature	-32 °C to + 52 °C
Impedance	50 Ohm

Outline Drawing



All dimensions are in inches

Need More Help? Need a Variant of This Product?

Contact Mercury's RF & Microwave engineering team at rf.microwave@rcy.com or visit www.mrcy.com/rf for a detailed listing of RF and Microwave products.



Corporate Headquarters • 50 Minuteman Road • Andover, MA 01810 USA • (978) 967-1401 • (866) 627-6951 • Fax (978) 256-3599 • www.mrcy.com