

Double Balanced Mixer U20H

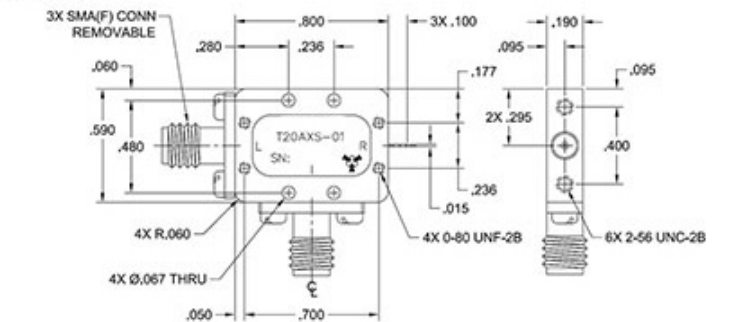
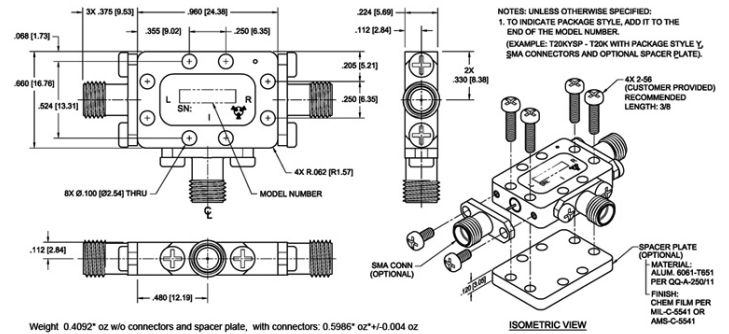
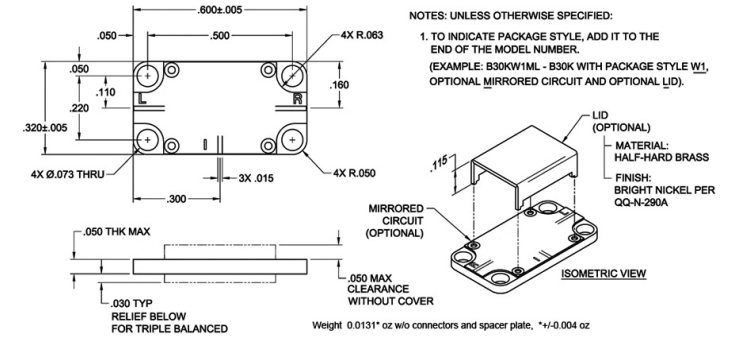


Specifications are subject to change without notice

Specifications

| Parameter | Value |
|--------------------|------------------------|
| RF Frequency | 2 to 18 GHz |
| LO Frequency | 2 to 18 GHz |
| LO Power | 7 dBm typ |
| Conversion Loss | 7.3 dB typ, 8.5 dB max |
| IF Frequency | DC to 2 GHz |
| LO to RF Isolation | 22 dB min, 27 dB typ |
| LO to IF Isolation | 15 dB min, 22 dB typ |
| IP3 In | 11 dBm typ |
| P1dB In | 1 dBm typ |
| Operating Temp | -55 °C to 100 °C |

Package Styles



All dimensions are in inches

Need More Help? Need a Variant of This Product?

Contact Mercury's RF & Microwave engineering team at rf.microwave@mrcy.com or visit www.mrcy.com/rf for a detailed listing of RF and Microwave products.



Corporate Headquarters • 50 Minuteman Road • Andover, MA 01810 USA • (978) 967-1401 • (866) 627-6951 • Fax (978) 256-3599 • www.mrcy.com