

PRODUCT FAMILY FEATURES

High-Performance

- Intel Core 2 Duo Processor with clock rates of 1.5 GHz to 2.16 GHz
- Up to 4 GBytes DDRII ECC SDRAM
- Flash Memory: 1 MByte, (512 KB for BIOS, 512 KB User)
- CompactFlash™ Type I or II Socket

Software Support

- Solaris® 10
- Linux®
- Microsoft Windows®

VME Interface

- Tundra Universe II VME64 interface
- Injectors/Ejectors: VME64 and traditional VME available

TC2D64

Duo Core 6U VMEbus Computer

OVERVIEW

The Themis Computer TC2D64 6U VMEbus computer is based on the Intel® Core™ 2 Duo Processor. Operating system support includes Windows® and Linux®. The TC2D64 utilizes 2.16 GHz and 1.5 GHz Intel® Core 2 Duo processors. An on-board 64-bit PMC Slot allows expansion using a wide variety of PMC cards.

The cost-effective TC2D64 in a single-slot configuration features two Gigabit Ethernet ports, graphics and a single 64-bit/66MHz PMC slot. Memory is expandable to 4 GBytes of DDRII ECC memory. The PMC slot can be used for local I/O or graphics expansion with Themis' optional TGA-7000™ 2D/3D color graphics card. Optional PMC or XMC I/O expansion boards, occupying a second VME slot, significantly extends I/O capability.

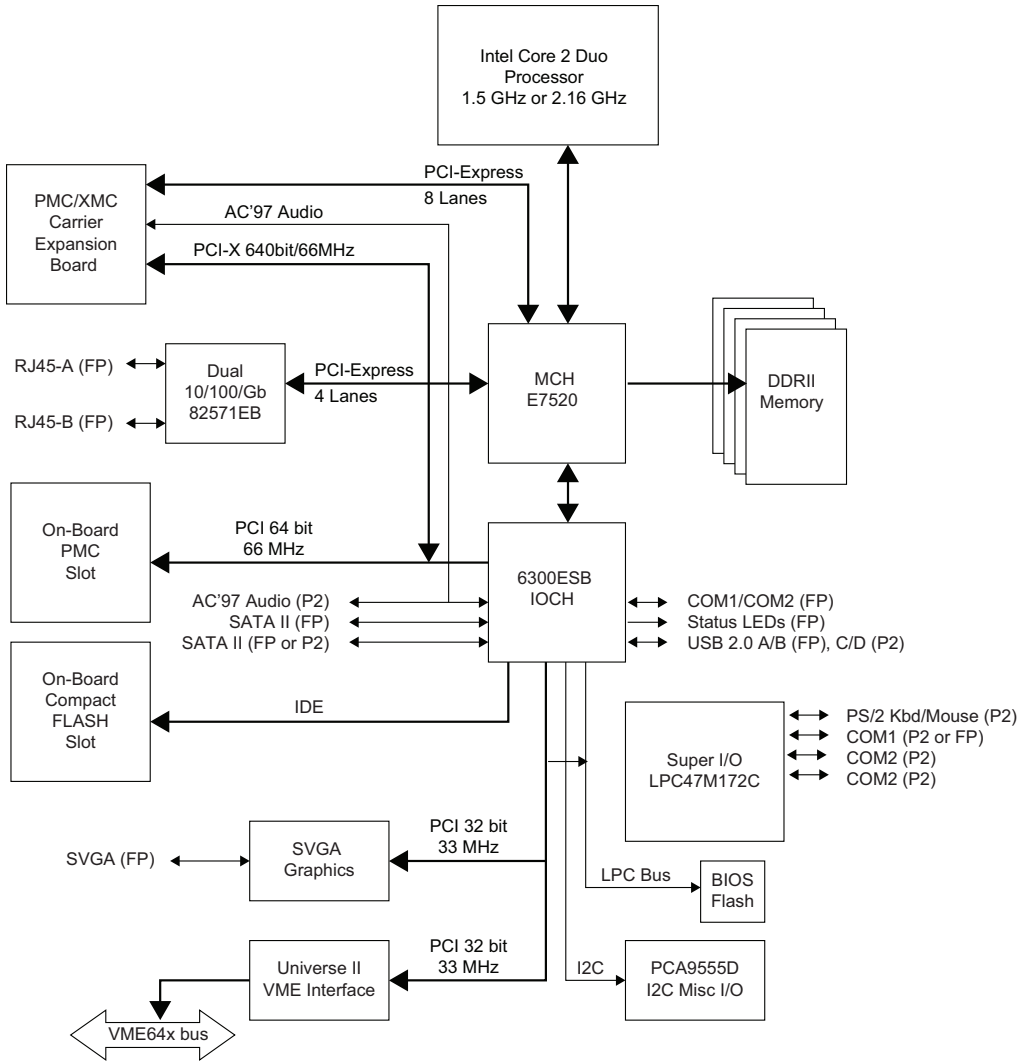


Figure 1: TC2D64 Block Diagram

TECHNICAL SPECIFICATIONS

General

PARAMETER	DESCRIPTION
Processor	Intel® Core 2 Duo Processor with clock rates of 1.5 GHz to 2.16 GHz
Memory	<ul style="list-style-type: none"> • 4 GBytes DDRII ECC SDRAM • Up to 8 GBytes DDRII ECC SoDIMM Expansion

Front Panel (FP) and VME P2 (P2) Connector I/O

I/O	QUANTITY	ACCESS
Gb Ethernet	2	Front Panel
USB	4	2 USB on Front Panel, 2 USB on P2
Serial Ports	4	COM1 and COM2: Front Panel COM3 and COM4: P2
SATA II	2	One Front Panel, One Front Panel or P2
Keyboard and Mouse		USB: Front Panel and P2 PS/2: P2
VGA Graphics	1	Front Panel

On-Board Expansion

PARAMETER	OPTIONS
On-Board PMC Expansion	<ul style="list-style-type: none"> • One 64-bit/66MHz PMC slot on board • Support for optional Themis TGA-7000 graphics adapter

Environmental

PARAMETER	OPERATING	NON-OPERATING
Temperature Range	-5 to +55°C	-40 to 95°C
Humidity (non-condensing)	0 to 95%	0 to 95%
Shock	30G @ 40mS	30G@ 40mS
Vibration (10-2000Hz)	0.90G (rms)	2.97G (rms)

Mechanical

PARAMETER	NON-OPERATING
Cooling Scheme	Air Cooled
Dimensions (HxD)	6U 6.299" (160mm) x 9.173" (233mm)

General

PARAMETER	NON-OPERATING
CompactFlash	Type I or Type II socket
VME Interface	<ul style="list-style-type: none"> • Tundra Universe II VME64 interface • Injectors/Ejectors: VME64 and traditional VME available

THEMIS SBC SOLUTIONS

Themis Single-Board Computers are designed to provide the highest levels of configuration flexibility, performance and reliability. Themis engineers use their expertise in the design of embedded systems solutions to reduce the risk, and costs, of failure caused by demanding environmental conditions that include extreme temperature or vibration. From rugged, screw-down memory modules to unique processor module/heat sink designs, Themis provides the high level of system integrity that demanding applications require. Themis BLCs provide increased resiliency to all environmental extremes - including shock, vibration, and temperatures, that cause many other embedded systems to fail.

THEMIS VALUE

Themis provides systems manufacturers and end-users with the most modern, best of breed computing resources available. Package and performance scale from small form factor embedded servers to bladed servers. We listen, understand, and work closely with our customers to optimize computing solutions that are easy to integrate, inexpensive to own and operate, and that achieve the right balance between standard commercial technology, rugged environments, and optimize space, weight, and performance.



Corporate Headquarters

47200 Bayside Parkway
Fremont, CA 94538
Tel: 510-252-0870
Fax: 510-490-5529
www.themis.com

European Sales Office

5 rue Irène Joliot-Curie
38320 Eybens, France
Tel: +33.476.14.77.86
Fax: +33.476.14.77.89

For More Information

Please visit www.themis.com
or contact Themis sales at:
USA +1 (510) 252-0870
Europe +33 (0) 476.14.77.86

©2011 Themis Computer. All rights reserved. Themis Computer, Themis and the Themis logo are trademarks or registered trademarks of Themis Computer. All other trademarks are the property of their respective owners. Themis reserves the right to change the specifications in this document without notice. All rights reserved. To ensure you have the latest version of the document, please go to www.themis.com.