



# TSC-300X

Mission and Payload Systems 3U-VPX

## 3U VPX RAID Controller Module

### Feature Set

#### General

- 3U VPX
- PCI Express x1, x2, x4 or x8
- Jumper setting for x8 or x4
- Auto-negotiation for x2 or x1
- XMC Site with Rear I/O
- I<sup>2</sup>C Bus (SMBus<sup>®</sup>) Management
- I<sup>2</sup>C Bus Temperature Monitor
- 1.0" Pitch with VPX-REDI standard
- .80" air cooled and .85" conduction cooled Pitch available

#### Drive Interfaces:

- RAID 0, 1, 1E
- 8x Drives supported
- Serial Attached SCSI (SAS)
- Serial ATA (SATA)
- 1.5 and 3 Gb/s per Drive Port

#### RAID Levels:

- RAID-0 Integrated Striping
- RAID-1 Integrated Mirroring (IM)
- RAID-1E Enhanced IM
- Zero Channel RAID

#### Power:

- 5V @ 5A, 3.3V @ 1A (Max)
- 30 Watts (Max) without PMC/XMC

#### Specs - Conduction Cooled with SSD:

- Conformal Coat: Optional
- Operating Temperature: -40° to +85°C
- Storage Temperature: -55° to +105°C
- Humidity: 0 to 95% RH Non-Condensing
- Shock: 40g Peak Sawtooth @ 11 mSec
- Vibration (Random): 1g2/Hz, 15Hz to 2KHz
- Vibration (Sine): 10g Peak, 15Hz to 2KHz



Conduction Cooled TRIAD-300X module with 1.0" VPX-REDI covers shown

**TSC-300X** is a 3U VPX RAID Controller Module utilizing the LSI SAS1068E PCIe RAID Controller, capable of supporting up to eight SAS/SATA Mass Storage drives. The TSC-300X features on-board storage via I<sup>2</sup>C of configuration parameters, BIOS and mirroring data. The module includes an XMC/PMC site accessible via PCIe.

#### TSC-300X Features:

- 3U VPX Conduction Cooled per VITA 46, VITA 48 & VITA 65 OpenVPX
- PCIe 1.0a - x1, x2, x4 & x8 per VITA 46.4
- Up to 8x SAS/SATA FLASH or Rotating drives supported
- SAS/SATA Transfer rates up to 3 Gb/s per drive
- RAID 0, 1, 1E
- XMC/PMC site with rear I/O per VITA 46.9, VITA 42.3 and IEEE 1386.1
- Supports the LSI 1068E MegaRAID Software Utility
- Drive activity LEDs for each attached drive
- I<sup>2</sup>C bus for Chassis Management functions
- ZEROIZE and PURGE command via Discrete Interface
- Supports PURGE command via PCIe
  
- Supportable Operating Systems
  - Microsoft Windows XP
  - Linux Red Hat
  - Linux SuSE Enterprise Editions
  - Microsoft Windows 2000
  - Microsoft Windows Server 2003/2008
  - Solaris 9/10
  - Consult factory for current list of validated Operating Systems



# TSC-300X

Mission and Payload Systems 3U-VPX

## Compliance Specifications:

- The TSC-300X SATA Drive Module is designed to meet CE Emissions specification EN 55022, CE Immunity specification EN 50082-2 and FCC 47 CFR, Part 15, Class A when tested in a shielded enclosure.

## Standard Configuration Ordering Information:

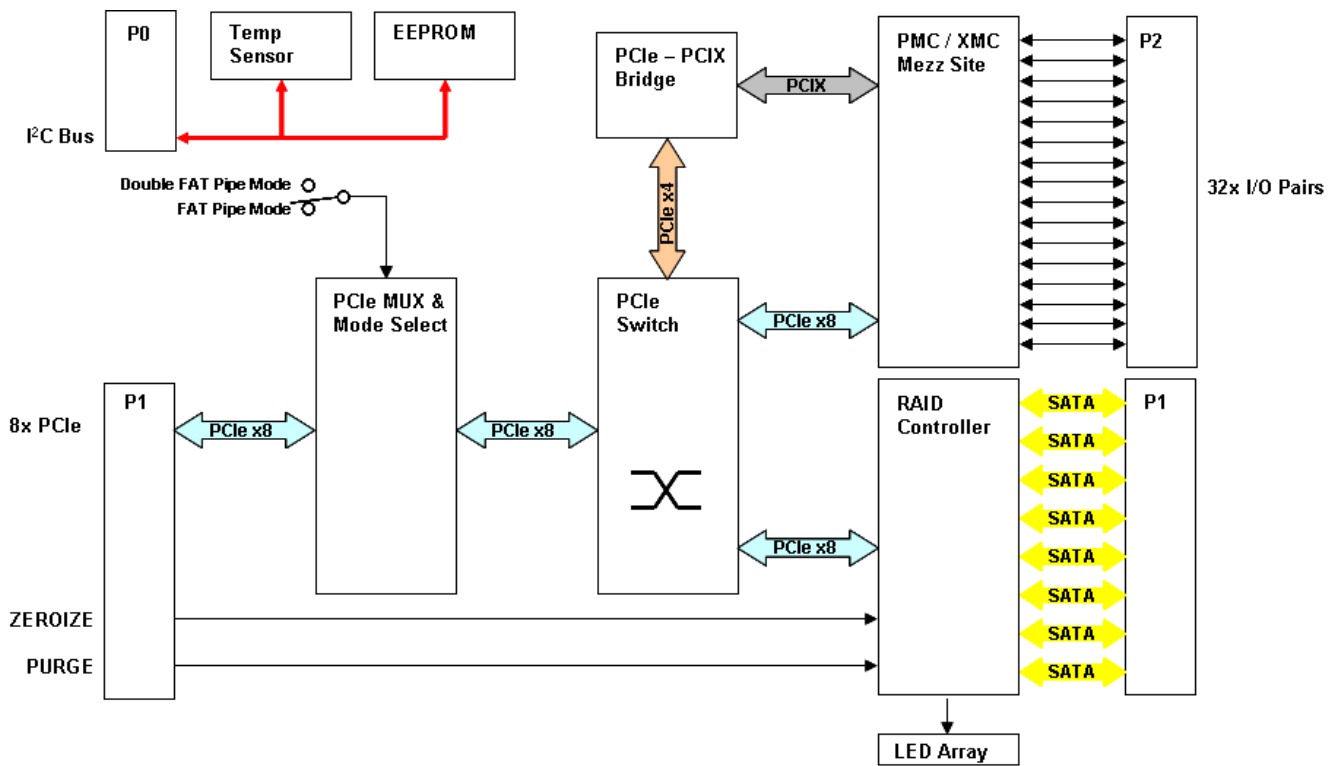
Air Cooled                      Level 1                      0.8" Pitch  
Conduction Cooled          Level 5                      1.0" Pitch

VPX-REDI

TSC-300X1-000  
TSC-300X5-101

Consult factory to order other configurations

## TSC-300X Block Diagram



# THEMIS

**Themis**  
47200 Bayside Parkway  
Fremont, CA 94538  
Tel: 510-252-0870  
Fax: 510-490-5529  
Email: [info@themis.com](mailto:info@themis.com)  
[www.themis.com](http://www.themis.com)

**Themis Europe Sales Office**  
5 rue Irène Joliot-Curie  
38320 Eybens, France  
Tel: +33.476.14.77.86  
Fax: +33.476.14.77.89

Themis, the Themis logo, TSC-300X are trademarks or registered trademarks of Themis Computer. The OpenVPX logo is a registered trademark of VITA. SMBus® is a registered trademark of Microsoft. All other trademarks and registered trademarks are the property of their respective owners.