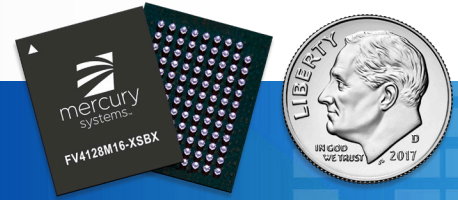


High Density Secure Memory

1GB (4x128Mx16) NOR Flash Module

Model FV4128M16X-XSBX



- **Advanced miniaturization technology**
- **-55°C to +125°C operating temperature**
- **Manufactured in a DMEA-trusted US facility**

ADVANCED*

Mercury Systems' advanced design and packaging techniques miniaturize [NOR Flash](#) memory in a compact, highly ruggedized package. This device is ideally suited for military and commercial aerospace applications requiring high-speed NOR Flash memory optimized for size, weight, and power.

Product Features

- 3V read/program/erase (2.7V - 3.6V)
- Military and Industrial temperature ranges
- Single supply (V_{cc}) for read/program/erase (2.7V to 3.6V)
- x16 data bus
- Asynchronous 32-byte Page read per chip select
- 512-byte Programming Buffer per chip select
 - Programming in Page multiples, up to a maximum of 512 bytes
- Sector Erase
 - Uniform 128-kbyte sectors
- Suspend and Resume commands for Program and Erase operations
- Status Register, Data Polling, and Ready/Busy pin methods to determine device status
- Separate 1024-byte One Time Program (OTP) array with two lockable regions per chip select

- Common Flash Interface (CFI) parameter table
- Advanced Sector Protection (ASP)
- Automatic Error Checking and Correction (ECC) – Internal hardware ECC with single bit error correction

Benefits

- Military-grade performance without sacrificing the benefits of Flash memory
- Eutectic solder balls for superior board-level reliability
- 70% component reduction
- 100% burn-in and electrical test for the highest quality assurance
- Manufactured in a DMEA-trusted facility
- Available component End of Life management for long-term supply continuity

Plastic Ball Grid Array (PBGA) Package

- 14mm x 17mm x 2.9mm PBGA, 107 lead, 1 mm pitch
- Area: 238mm²
- Moisture Sensitivity Level (MSL): 3

** This product is under development, is not qualified or characterized and is subject to change or cancellation without notice.*

Mercury Systems is a leading commercial provider of secure sensor and safety-critical processing subsystems. Optimized for customer and mission success, Mercury's solutions power a wide variety of critical defense and intelligence programs.



ACQUIRE



DIGITIZE



PROCESS



STORAGE



EXPLOIT



DISSEMINATE

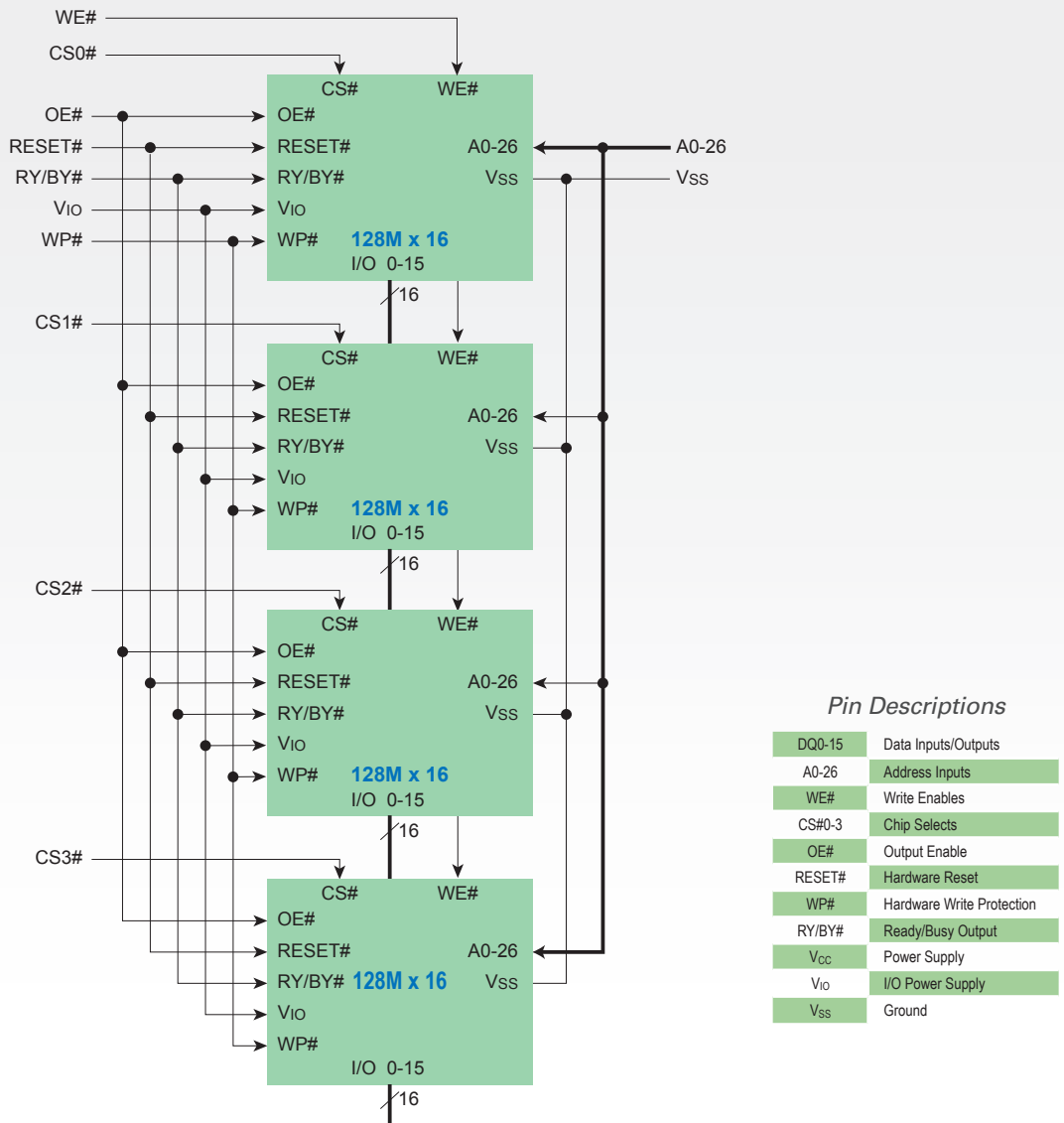
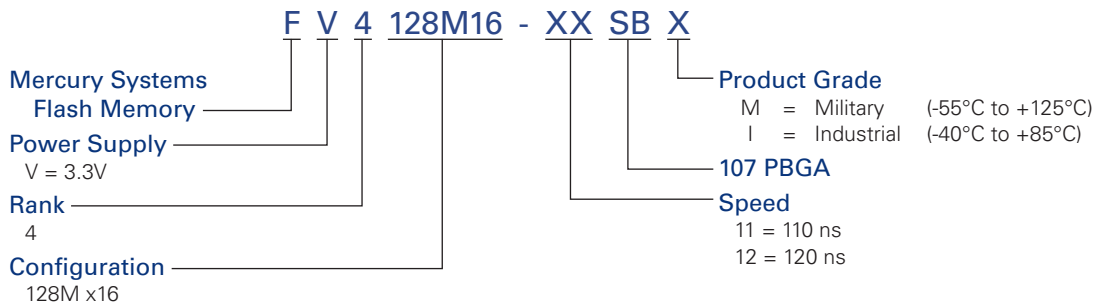


Figure 1 - Block Diagram



Example Part Number: FV4128M16-10SBM

Figure 2 - Part Numbering Matrix

Innovation That Matters, and Mercury Systems are trademarks of Mercury Systems, Inc. Other product and company names mentioned may be trademarks and/or registered trademarks of their respective holders. Mercury Systems, Inc. believes this information is accurate as of its publication date and is not responsible for any inadvertent errors. The information contained herein is subject to change without notice.

Copyright © 2019 Mercury Systems, Inc.

www.mrcy.com/NOR

5048.01E ds 0419 FV4128M16X-XSBX 1GB (4x128Mx16) NOR Flash Module



CORPORATE HEADQUARTERS
50 Minuteman Road
Andover, MA 01810-1008 USA
+1 (978) 967-1401
+1 (866) 627-6951
Fax +1 (978) 256-3599

MICROELECTRONIC SECURE SOLUTIONS
3601 East University Drive
Phoenix, AZ 85034-7217 USA
+1 (602) 437-1520
Fax +1 (602) 437-1731

