

# Low Noise Amplifier

## AML48L3002

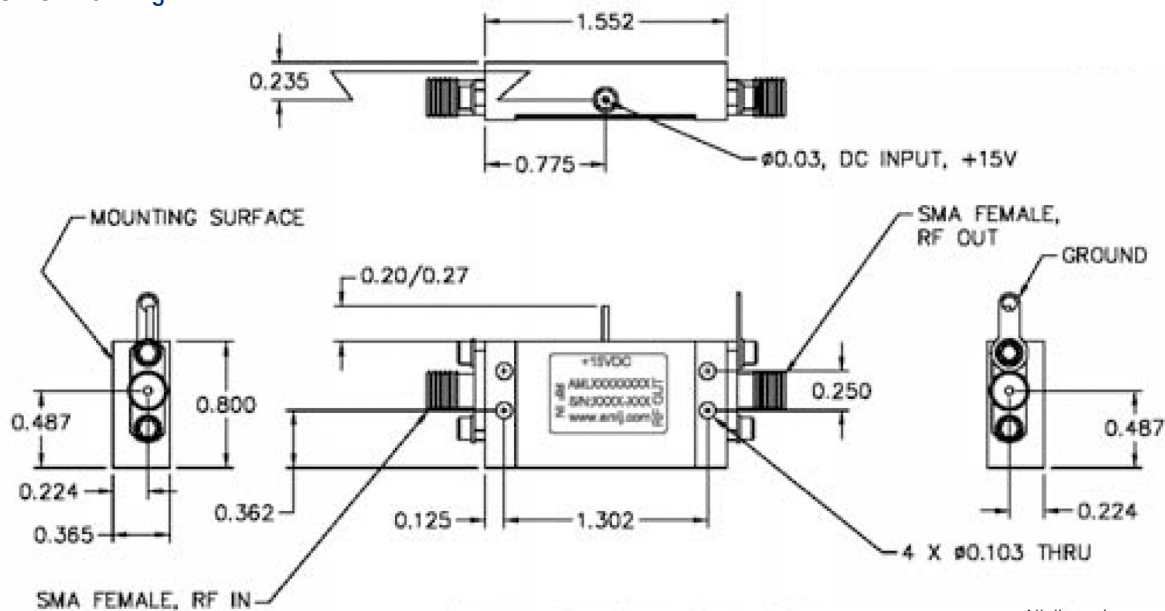


Specifications are subject to change without notice

### Electrical Specifications (+25°C)

Parameter	Value
Frequency Range (GHz)	4.0 - 8.0
Gain (dB min)	30
Flatness ( $\pm$ dB max)	1
Noise Figure (dB max)	1
P-1dB (dBm min)	10
Output IP3 (dBm typ.)	20
VSWR In/Out (nom)	1.8:1
DC Current (mA nom)	100

### Outline Drawing



All dimensions are in inches

### Need More Help? Need a Variant of This Product?

Contact Mercury's RF & Microwave engineering team at [rf.microwave@mrcy.com](mailto:rf.microwave@mrcy.com) or visit [www.mrcy.com/rf](http://www.mrcy.com/rf) for a detailed listing of RF and Microwave products.



Corporate Headquarters • 50 Minuteman Road • Andover, MA 01810 USA • (978) 967-1401 • (866) 627-6951 • Fax (978) 256-3599 • [www.mrcy.com](http://www.mrcy.com)

6680.00E-0718-SS-AML48L3002-amp