

# Double Balanced Mixer B90H

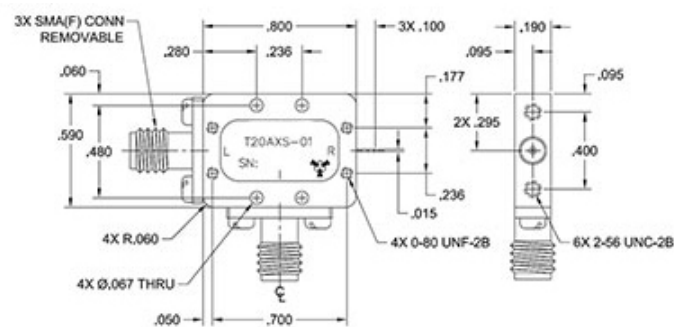
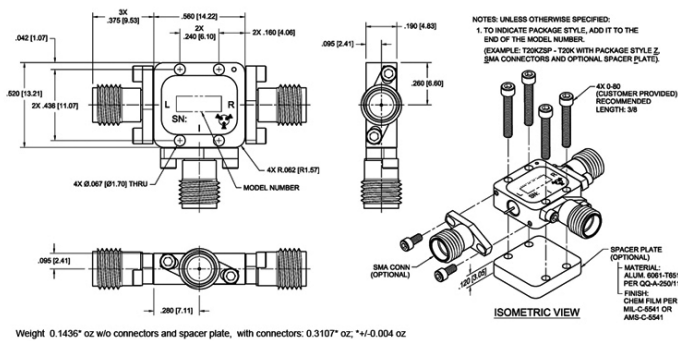
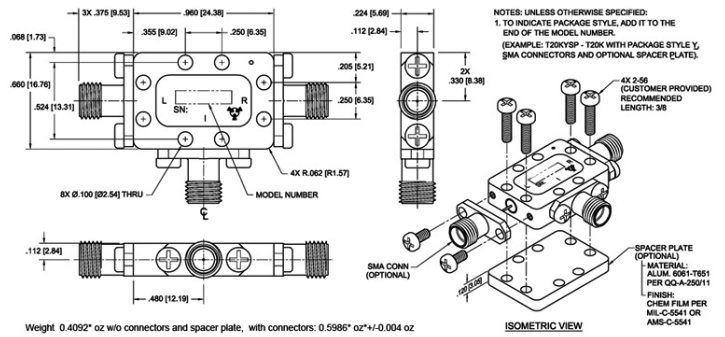
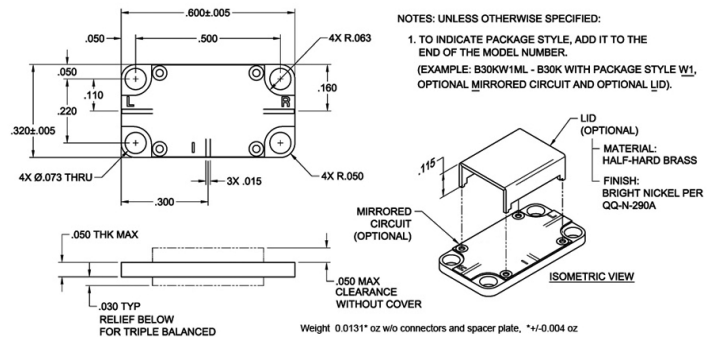


Specifications are subject to change without notice

## Specifications

Parameter	Value
RF Frequency	9 to 16 GHz
LO Frequency	10 to 17 GHz
LO Power	7 dBm typ
Conversion Loss	5.5 dB typ, 7 dB max
IF Frequency	DC to 3 GHz
LO to RF Isolation	25 dB min, 35 dB typ
LO to IF Isolation	20 dB min, 35 dB typ
IP3 In	11 dBm typ
P1dB In	1 dBm typ
Operating Temp	-55 °C to 100 °C

## Package Styles



All dimensions are in inches

## Need More Help? Need a Variant of This Product?

Contact Mercury's RF & Microwave engineering team at [rf.microwave@mrcy.com](mailto:rf.microwave@mrcy.com) or visit [www.mrcy.com/rf](http://www.mrcy.com/rf) for a detailed listing of RF and Microwave products.



Corporate Headquarters • 50 Minuteman Road • Andover, MA 01810 USA • (978) 967-1401 • (866) 627-6951 • Fax (978) 256-3599 • [www.mrcy.com](http://www.mrcy.com)