

Bandpass Filter C1322



Specifications are subject to change without notice

Electrical Specifications (+25°C)

Parameter	Value
Passband	6-8 GHz
Insertion loss	1.0 dB
Flatness	0.5 dB
VSWR	1.5:1
Rejection	3-dB at 4.0 and 12.0 GHz
Phase response	< +/- 7 degrees
Connectors	SMA female
Package Size	1.5" x 1.0" x 1.5"

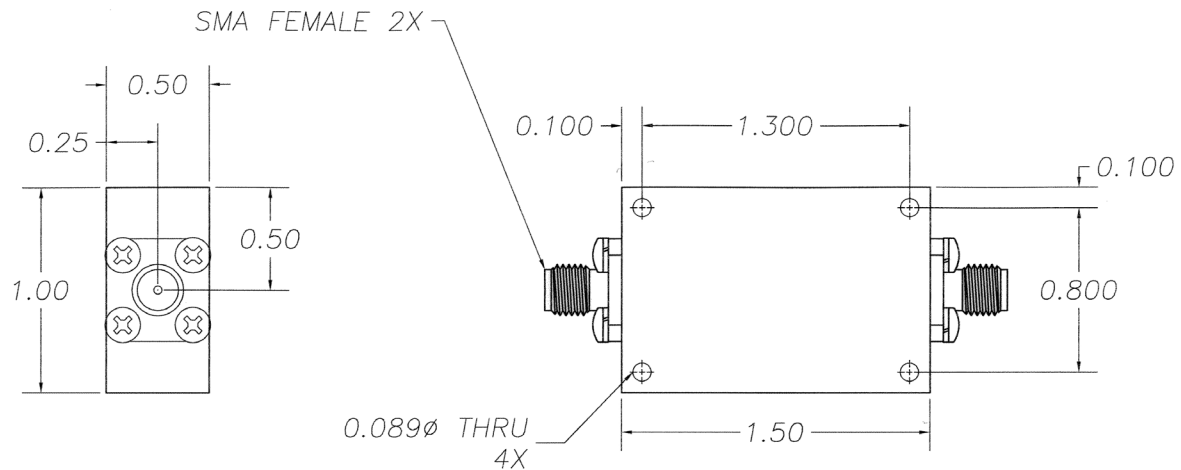
Features

Cavity Design
Low Loss

Applications

Microwave com

Outline Drawing



All dimensions are in inches

Need More Help? Need a Variant of This Product?

Contact Mercury's RF & Microwave engineering team at rf.microwave@mrcy.com or visit www.mrcy.com/rf for a detailed listing of RF and Microwave products.



Corporate Headquarters • 50 Minuteman Road • Andover, MA 01810 USA • (978) 967-1401 • (866) 627-6951 • Fax (978) 256-3599 • www.mrcy.com

6997.00E-1118-SS-C1322-filter