

# Bandpass Filter

## C1537-1



Specifications are subject to change without notice

### Electrical Specifications (+25°C)

Parameter	Value
Passband	4900 - 5100 MHz
Insertion loss	1.5 dB
VSWR	1.5:1
Rejection	50 dB @ 4200 MHz
Rejection	50 dB @ 5800 MHz
Connectors	SMA female
Package Size	0.9" x 1.0" x 3.6"

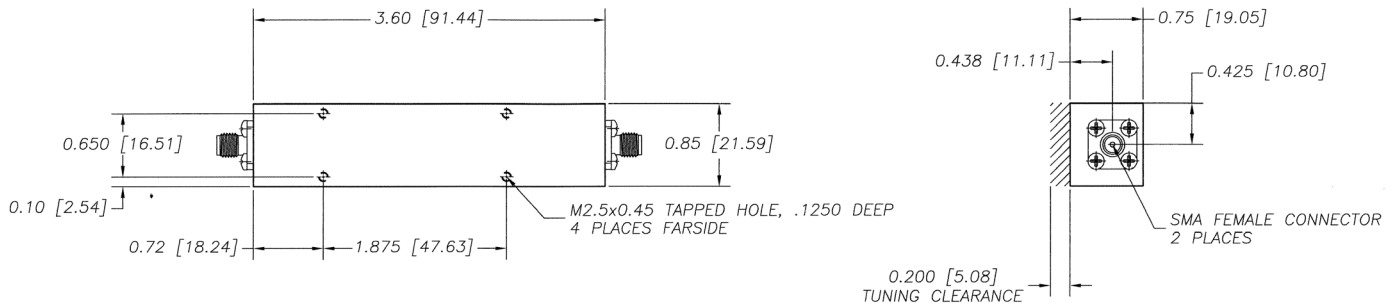
### Features

Cavity Design  
Low Loss

### Applications

Wireless  
Test Equipment

### Outline Drawing



All dimensions are in inches

### Need More Help? Need a Variant of This Product?

Contact Mercury's RF & Microwave engineering team at [rf.microwave@rcy.com](mailto:rf.microwave@rcy.com) or visit [www.rcy.com/rf](http://www.rcy.com/rf) for a detailed listing of RF and Microwave products.



Corporate Headquarters • 50 Minuteman Road • Andover, MA 01810 USA • (978) 967-1401 • (866) 627-6951 • Fax (978) 256-3599 • [www.rcy.com](http://www.rcy.com)

6998.00E-1118-SS-C1537-filter