

Diplexer C5914



Specifications are subject to change without notice

Electrical Specifications (+25°C)

Parameter	Value	
	Channel 1	Channel 2
Passband	3700 to 4200 MHz	5925 to 6430 MHz
Insertion Loss	1.0 dB Maximum	1.0 dB Maximum
VSWR	1.5:1 Maximum	1.5:1 Maximum
Rejection	50 dB from 5600 to 5800 MHz	50 dB from 5600 to 5800 MHz
Connectors	N Female per MIL-C-39012	
Weight	14.72 oz., 0.92 lb.	
Package Size	0.75" x 3.0" x 3.0"	

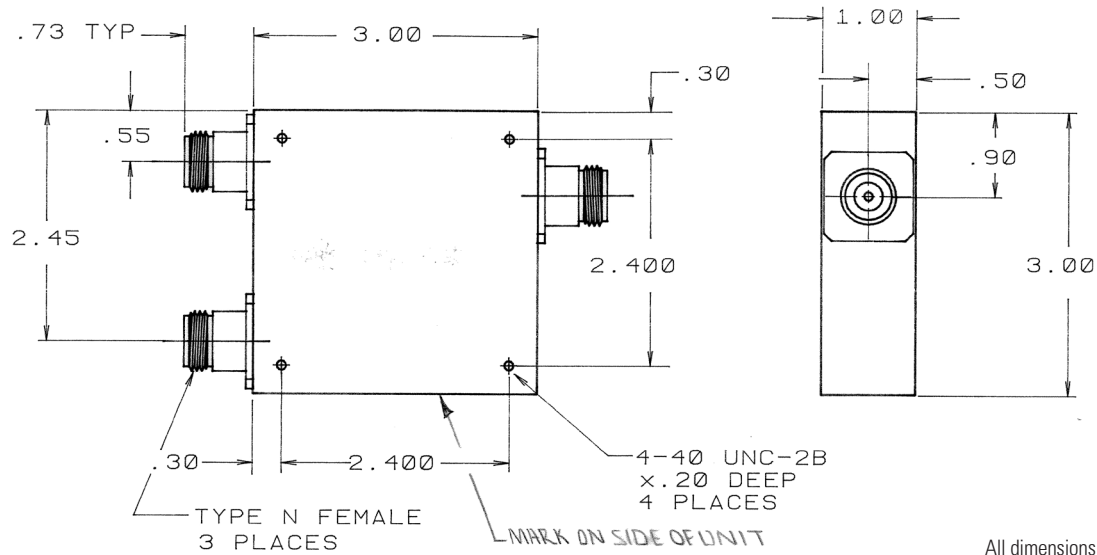
Features

- Cavity Design
- Low Loss

Applications

- Communications
- Test Equipment

Outline Drawing



All dimensions are in inches

Need More Help? Need a Variant of This Product?

Contact Mercury's RF & Microwave engineering team at rf.microwave@mrcy.com or visit www.mrcy.com/rf for a detailed listing of RF and Microwave products.



Corporate Headquarters • 50 Minuteman Road • Andover, MA 01810 USA • (978) 967-1401 • (866) 627-6951 • Fax (978) 256-3599 • www.mrcy.com