

High-Power CW Amplifier

DM-HPKU-40-101



Specifications are subject to change without notice

Electrical Specifications (+25°C)

Parameter	Value
Frequency	14.4 to 15.5 GHz
Small Signal Gain	45 dB min
Gain Var. OverTemp	-0.05 dB/°C typical
Psat @ -5dBm Input	44 dBm min
Psat @ -5dBm Input	30 W typical P1dB
P1dB	40 dBm min
Noise Figure	8 dB max
DC Power	28 VDC, 6.5 A nom at Psat
PAE	15 % typical
VSWR (Input/Output)	2.0:1/2.0:1 nom
Harmonics	-15 dBc typical @ Psat
Spurious	-70 dBc typical
Input Power Handling	5 dBm max
Mismatch Handling	5.0:1 max
Operation	CW

Mechanical Specifications

Parameter	Value
Size (L x W x H)	2.5 x 2.75 x 0.45 inches
Connectors (In/Out)	SMA (f)/SMA (f)
Sealing	Hermetic
Finish	Grey Paint, Mounting surface Ni finish
Marking	Black per MIL-STD-130
Cooling	External heatsink

Features

Parameter	Value
DC On/Off	1µs; TTL Logic-Low "0V": ON; High "5V": OFF
OverTemp Shutdown	at +85°C
Current Monitoring	Included

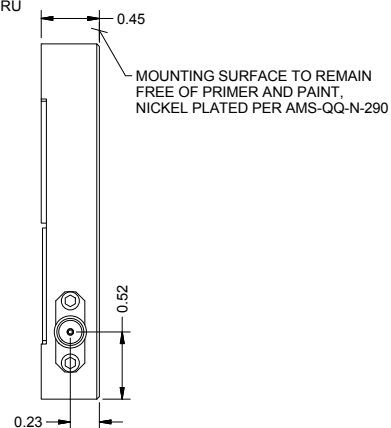
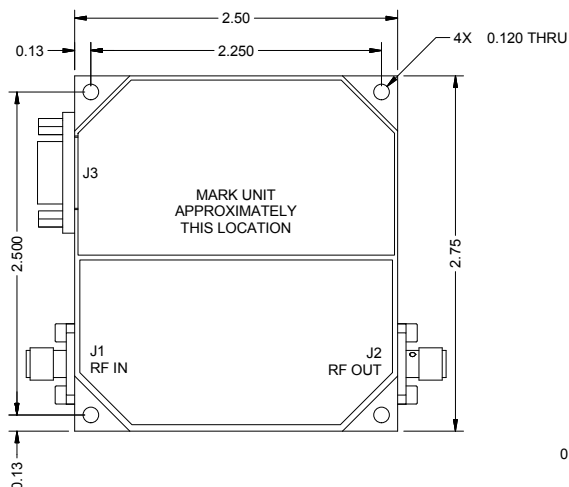
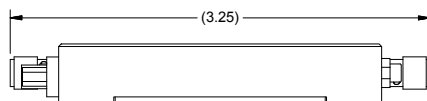
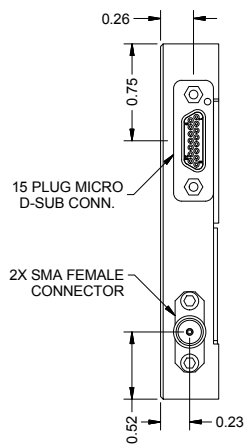
Environmental Specifications (by design)

Parameter	Value
Operating Temperature	-40 to +70°C
Storage Temperature	-54 to +85°C
Relative Humidity	IAW MIL-STD-810F, up to 95%
Altitude	up to 30,000 ft
Vibration	IAW MIL-STD-810F, Method 514.5, Table 514.5-I
Shock	IAW MIL-STD-202G method 214, condition C
Salt Fog	5%, +35°C 96 hrs IAW MIL-STD- 810G method
Fungus	IAW MIL-STD-810G method 508.6



Outline Drawing

TABLE	
PIN #	DESCRIPTION
1	+28V
2	+28V
3	GND
4	GND
5	N/C
6	N/C
7	OVER-CURRENT BIT
8	BLANKING TTL
9	+28V
10	+28V
11	GND
12	GND
13	N/C
14	N/C
15	OVER-TEMP BIT



All dimensions are in inches

Need More Help? Need a Variant of This Product?

Contact Mercury's RF & Microwave engineering team at rf.microwave@rcy.com or visit www.rcy.com/rf for a detailed listing of RF and Microwave products.



Corporate Headquarters

50 Minuteman Road • Andover, MA 01810 USA • (978) 967-1401 • (866) 627-6951 • Fax (978) 256-3599 • www.rcy.com