

# Drop-in Circulator DNF1900-T0302

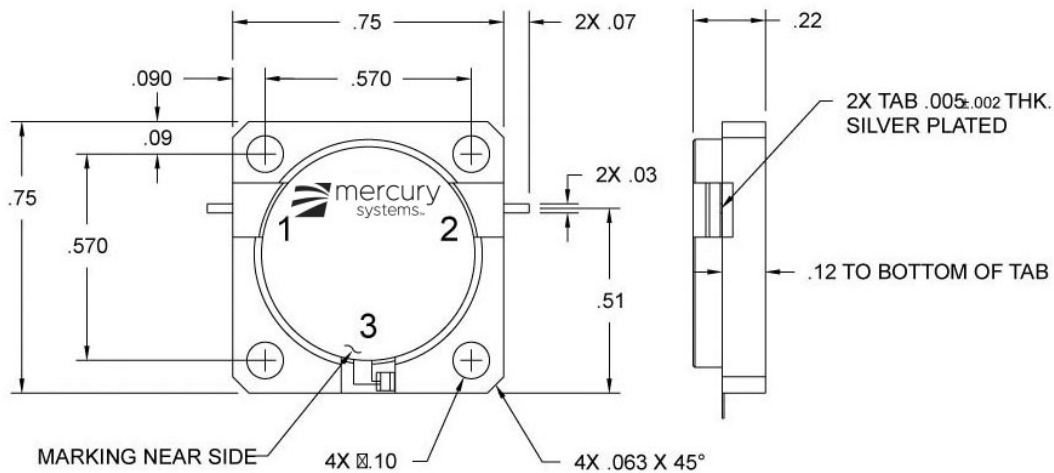


Specifications are subject to change without notice

## Specifications (+25°C)

Parameter	Value
RF Frequency	3.3 GHz to 3.9 GHz
Isolation	20 dB (min)
Insertion Loss	0.5 dB (max)
VSWR	1.25:1
Peak Power	100 Watts (max)
Average Power	10 Watts (max)
Package Size	0.75 x 0.75 x 0.25"

## Outline Drawing



All dimensions are in inches

### Need More Help? Need a Variant of This Product?

Contact Mercury's RF & Microwave engineering team at [rf.microwave@mrcy.com](mailto:rf.microwave@mrcy.com) or visit [www.mrcy.com/rf](http://www.mrcy.com/rf) for a detailed listing of RF and Microwave products.



Corporate Headquarters • 50 Minuteman Road • Andover, MA 01810 USA • (978) 967-1401 • (866) 627-6951 • Fax (978) 256-3599 • [www.mrcy.com](http://www.mrcy.com)

7115.00E-0119-ss-DNF1900-T0302-ferrite