

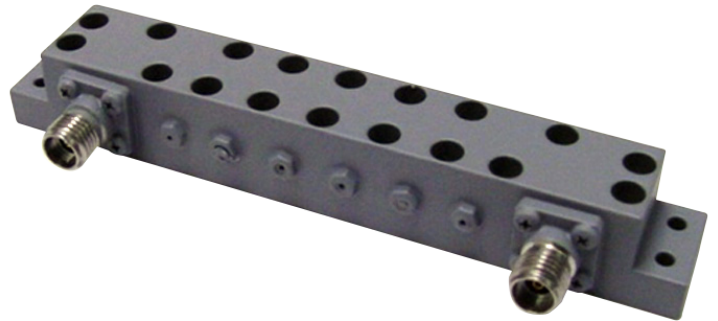
# Bandpass Filter E1507



Specifications are subject to change without notice

## Specifications (+25°C)

Parameter	Value
Passband	29510 to 29746 MHz
Insertion Loss	1.5 dB max
VSWR	1.5:1 max
Passband Phase Deviation	± 5° max
Rejection	40 dB at 29114 MHz 40 dB at 30112 MHz 60 dB from 1 to 29000 MHz 60 dB from 30500 to 40000 MHz
Connectors	"K" female
Operating temperature	-40°C to +50°C
Package Size	0.5" x 0.5" x 2.5"
Weight	1.3 oz., 0.1 lb.



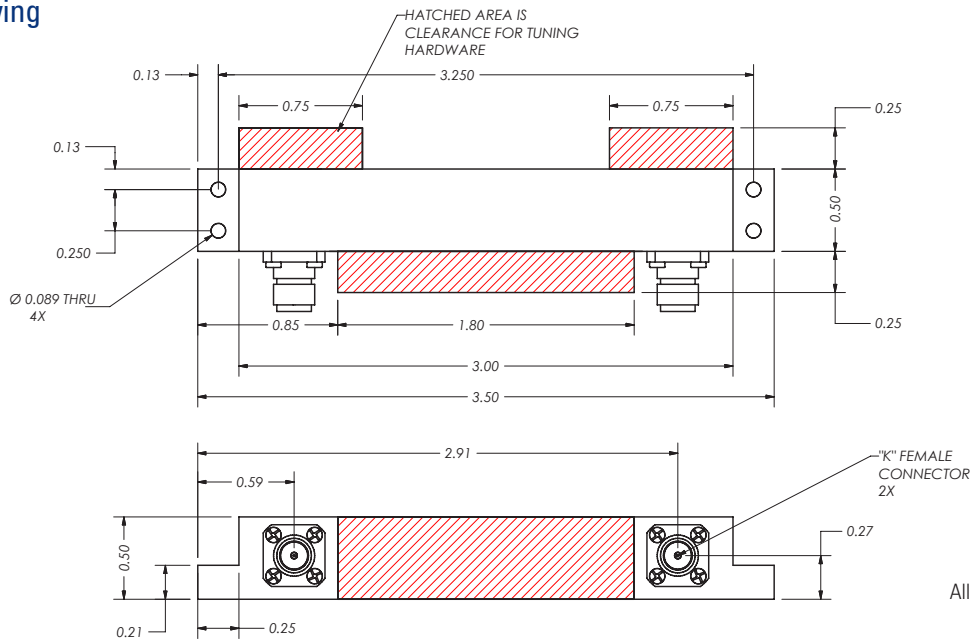
### Features

- Cavity design
- Low loss

### Applications

- Communications
- Test Equipment

## Outline Drawing



## Need More Help? Need a Variant of This Product?

Contact Mercury's RF & Microwave engineering team at [rf.microwave@mrcy.com](mailto:rf.microwave@mrcy.com) or visit [www.mrcy.com/rf](http://www.mrcy.com/rf) for a detailed listing of RF and Microwave products.



Corporate Headquarters • 50 Minuteman Road • Andover, MA 01810 USA • (978) 967-1401 • (866) 627-6951 • Fax (978) 256-3599 • [www.mrcy.com](http://www.mrcy.com)